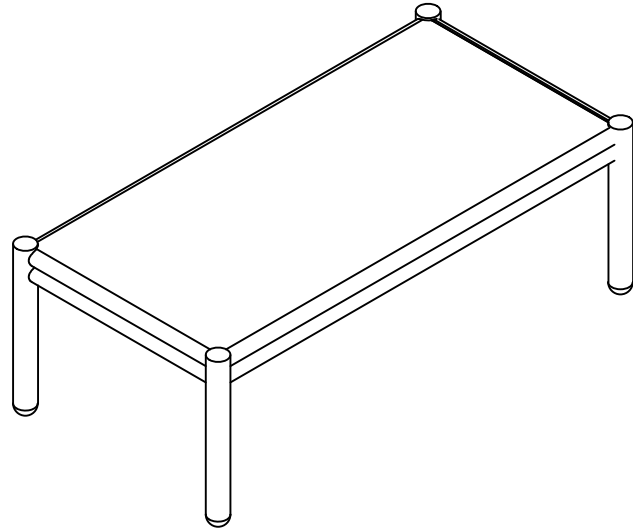
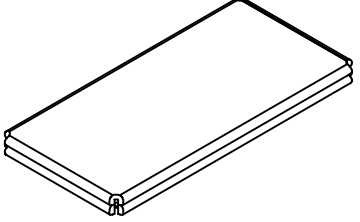
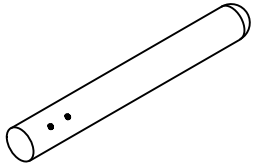


ASSEMBLY INSTRUCTION




Coffee Table
ARHXX 013CT



Component List

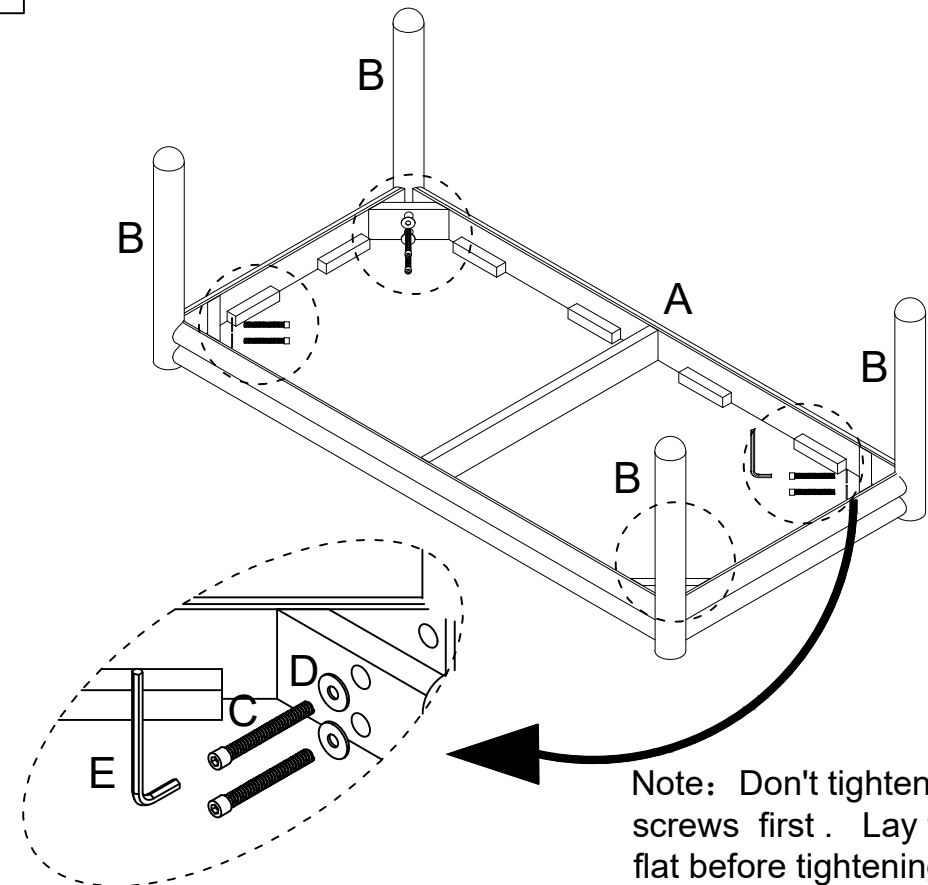
LABEL	SPARE PARTS	DESCRIPTION	QTY
A		Desktop	1
B		Table legs	4

Hardware list

LABEL	SPARE PARTS	DESCRIPTION	SIZE	QTY
C		Bolt	M8*65mm	8
D		Flat washer	M8	8
E		Allen wrench	M6*80	1

Assembly Steps

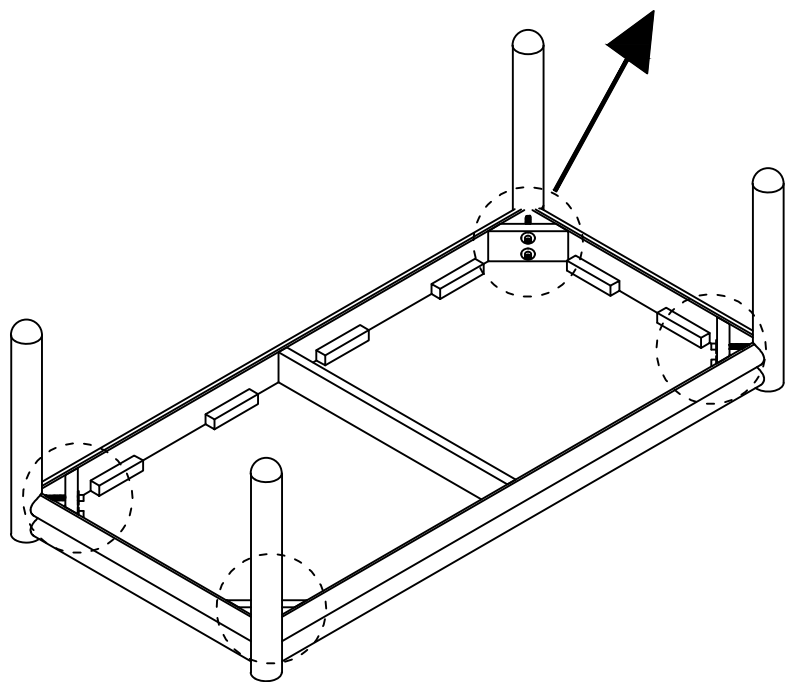
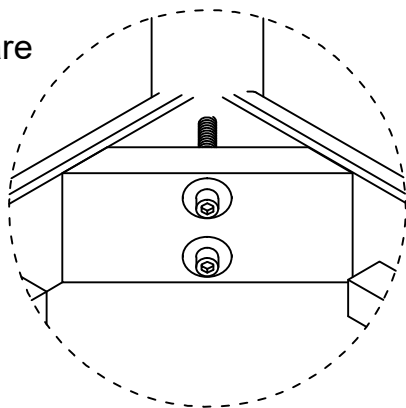
1



Note: Don't tighten the screws first. Lay the table flat before tightening the screws.

2

Note: All screws are installed and then locked



3

