

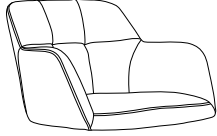
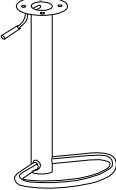
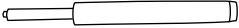


# Assembly Instructions

## Barstool

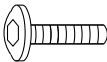

SKU DY-GY5117-ADJ



## Component list

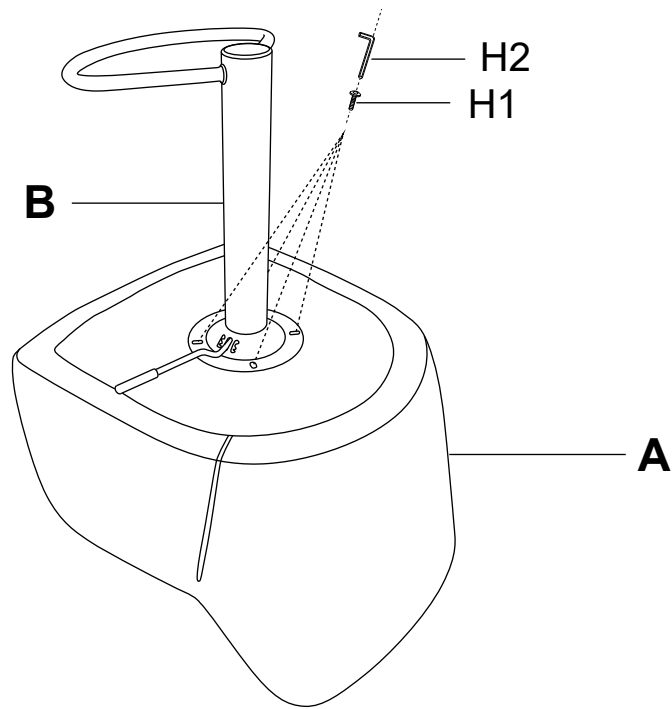
LABEL		DESCRIPTION	QTY
A		Seat	1
B		Connector	1
C		Gas Lift	1
D		Base	1
E		Decorative Cover	1

## Hardware List

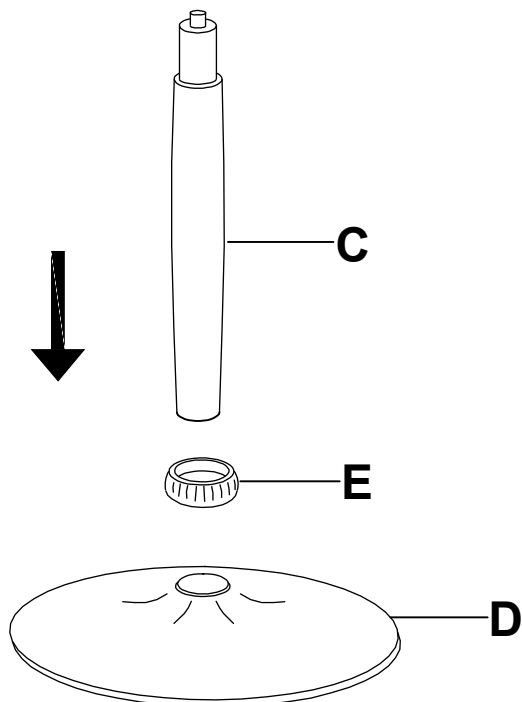
LABEL		DESCRIPTION	QTY
H1		Screw (M6*18mm)	4
H2		Allen Wrench (M6)	1

# Assembly Steps

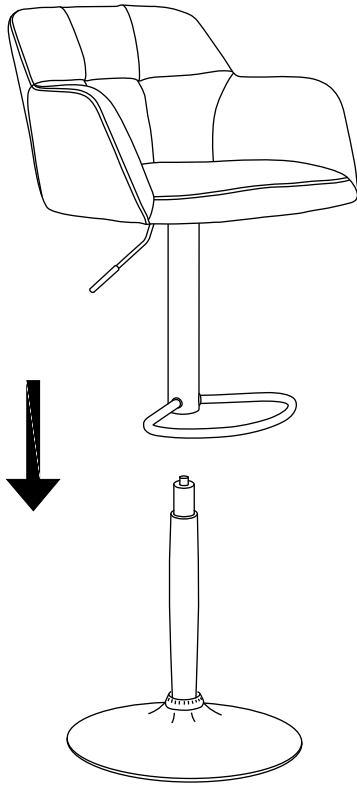
## Step 1



## Step 2



Step 3



Step 4

