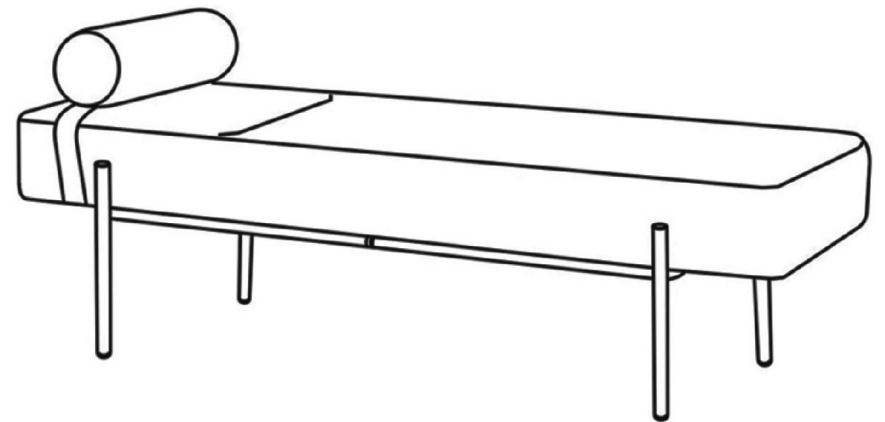





ASSEMBLY INSTRUCTION

Bench



SKU:8256



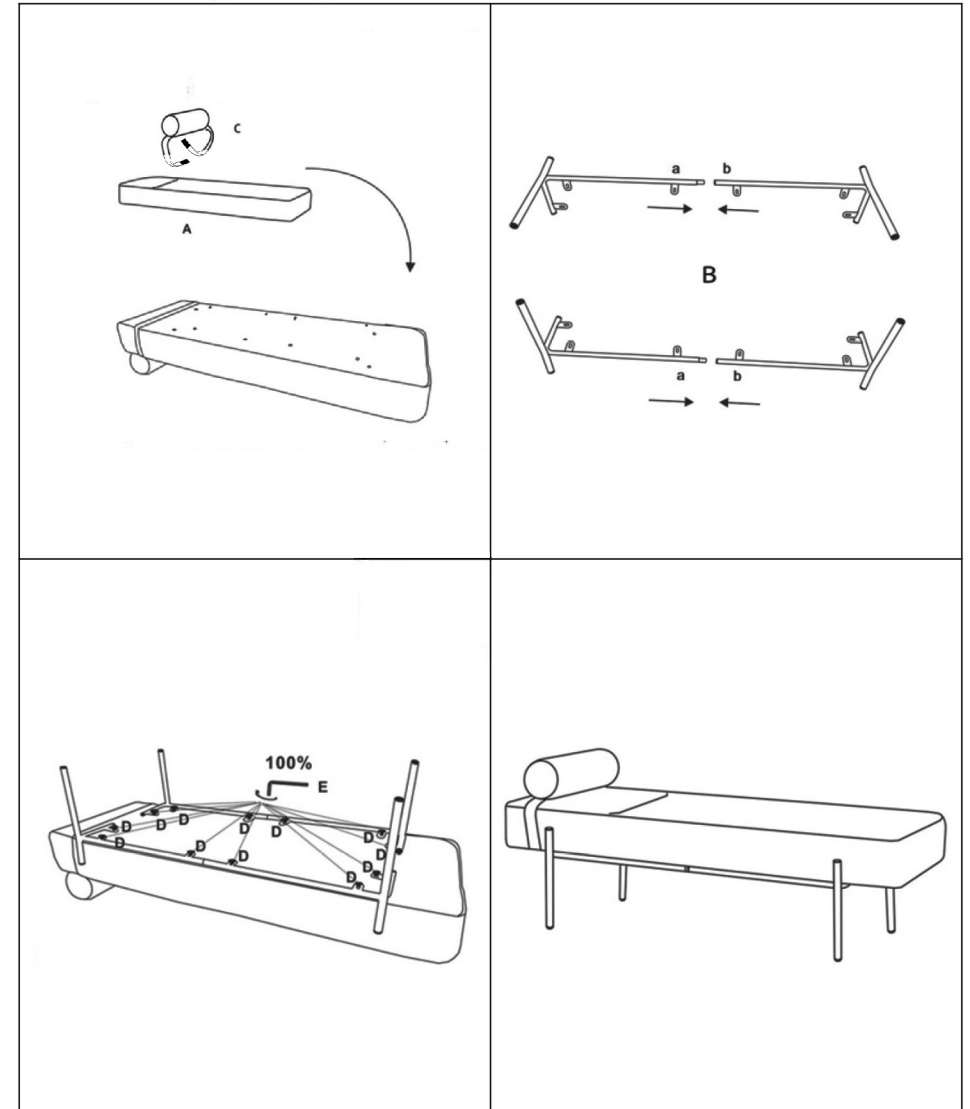
Component List

LABEL		DESCRIPTION	QTY
A		Seat	1
B		Leg	2
C		headrest	1

Hardware List

LABEL		DESCRIPTION	QTY
D		Flat Washer M8X22X1.5mm	12
E		Allen Key M6	1

Assembly Steps



WARNING:
DO NOT STAND THE PRODUCT, DO NOT USE THIS PRODUCT AS A STEP LADDER.
DO NOT USE THIS PRODUCT UNLESS ALL BOLTS, SCREWS AND KNOBS ARE FIRMLY SECURED.
PLEASE DO NOT USE KNIFE TO OPEN ANY PARTS OR THE BOX OR PRODUCT