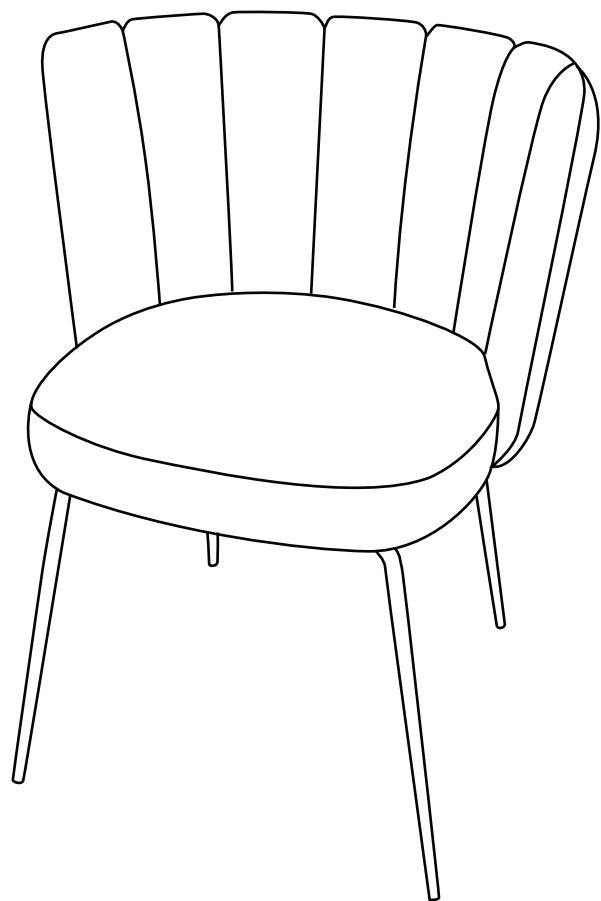


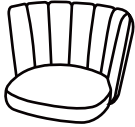


# ASSEMBLY INSTRUCTION

Dining chair

DC-09029



## Component List

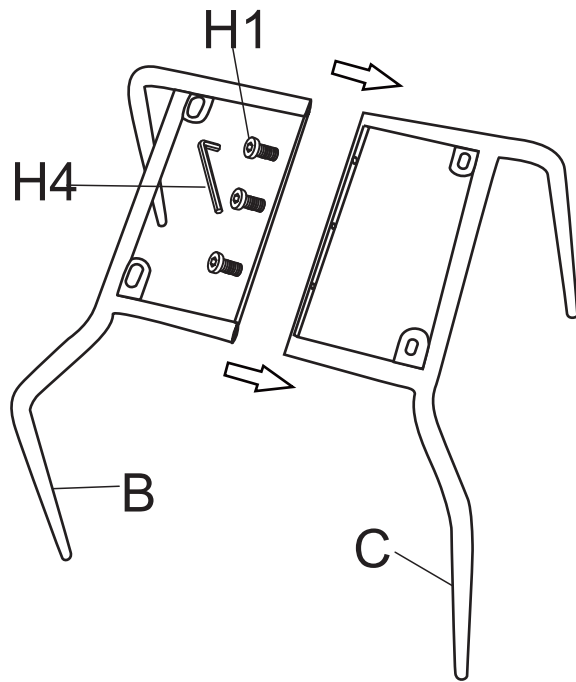
LABEL		DESCRIPTION	QTY
A		Seat	1
B		right leg	1
C		left leg	1

## Hardware List

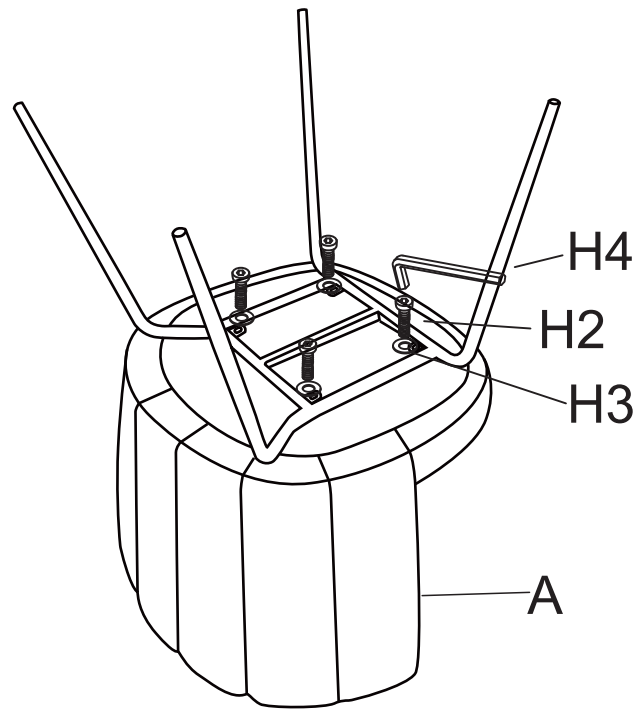
LABEL		DESCRIPTION	QTY
H1		Short bolts M8*16mm	3
H2		Long bolts M6*20mm	4
H3		Washer	4
H4		Allen Wrench	1

# Assembly Steps

1



2



3

