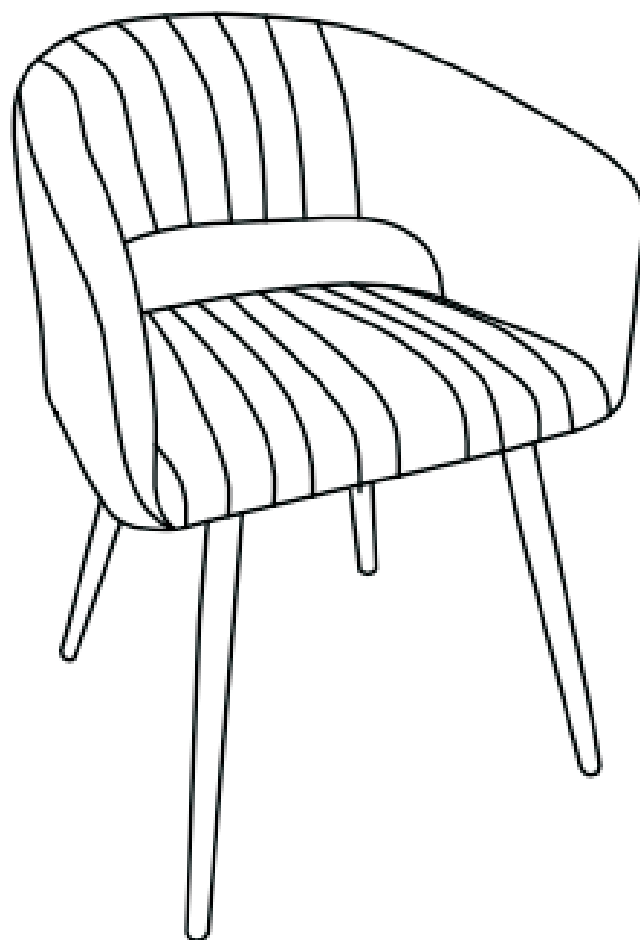
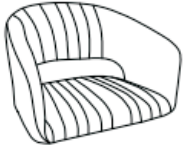





# ASSEMBLY INSTRUCTION

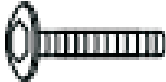


## Dining Chair SKU:DY-DM3059-1



# Component List

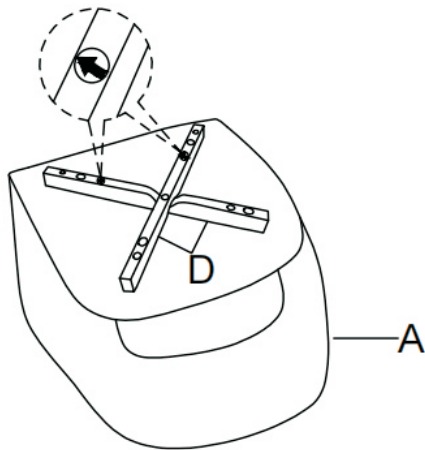
LABEL		DESCRIPTION	QTY
A		Seat	1
B		back leg (short)	2
C		front leg (long)	2
D		Crosspiece	2

# Hardware List

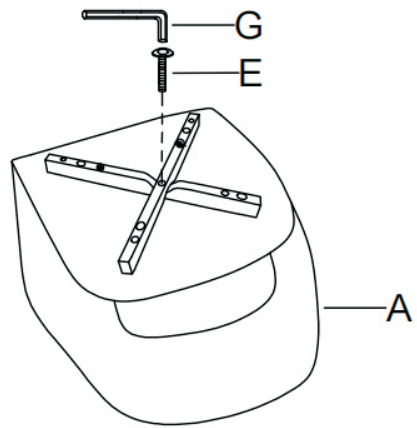
LABEL		DESCRIPTION	QTY
E		Bolt M6*22mm	5
F		Bolt M6*45mm	4
G		Allen Key	1

# Assembly Steps

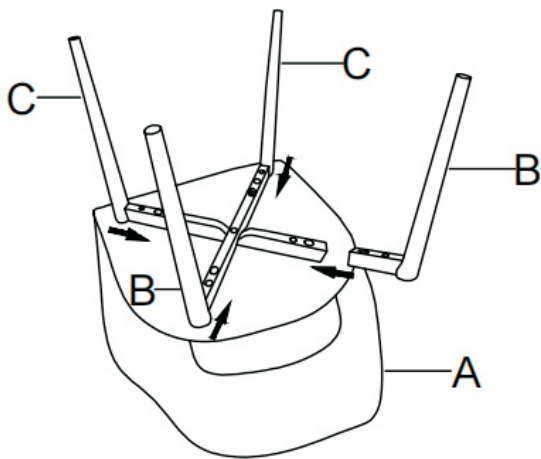
1



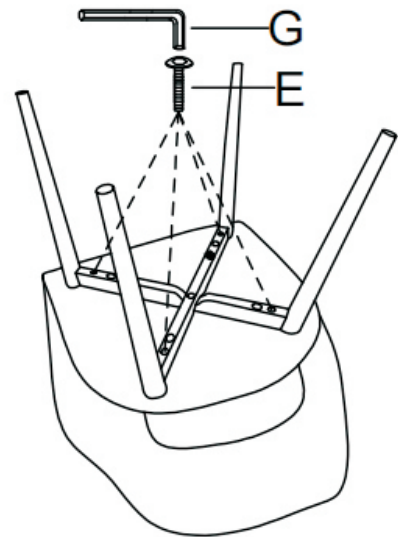
2



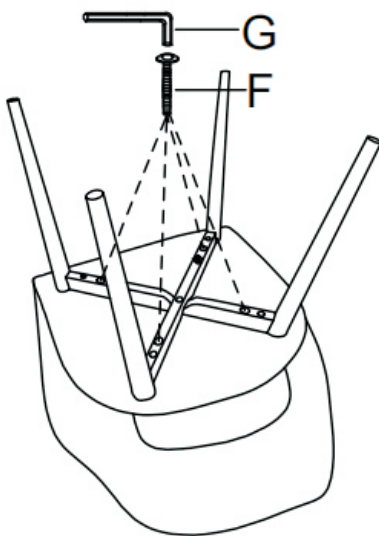
3



4



5



6

