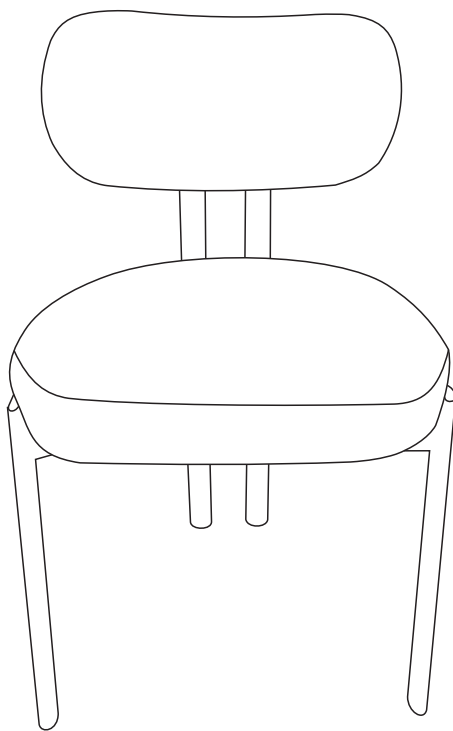
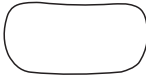

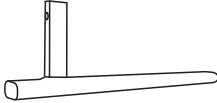
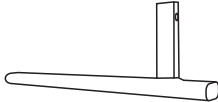
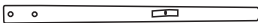
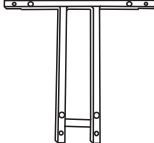


# ASSEMBLY INSTRUCTION

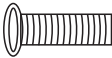
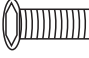
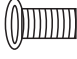

Dining chair  
DY-DM3110



# Component List

LABEL		DESCRIPTION	QTY
A		Back Cushion	1
B		Seat Cushion	1
C		Left Legs	1
D		Right Legs	1
E		Back Legs	2
F		Seat Frame	1

# Hardware List

LABEL		DESCRIPTION	QTY
G		Bolt M6x40	4
H		Bolt M6x35	4
I		Bolt M6x16	6
J		Allen Key	1

# Assembly Steps

