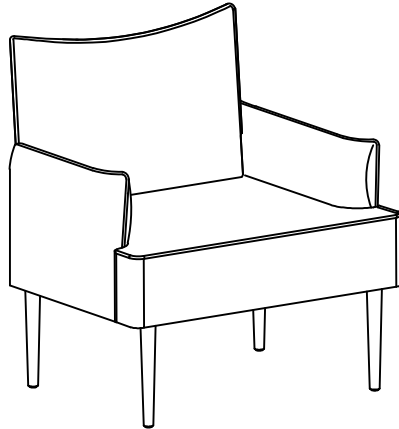
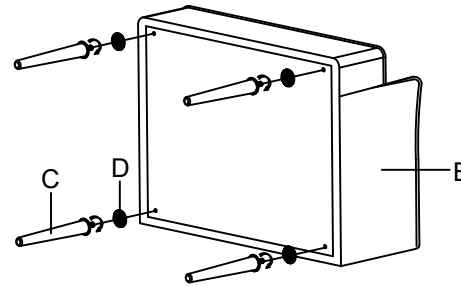


# ASSEMBLY INSTRUCTION

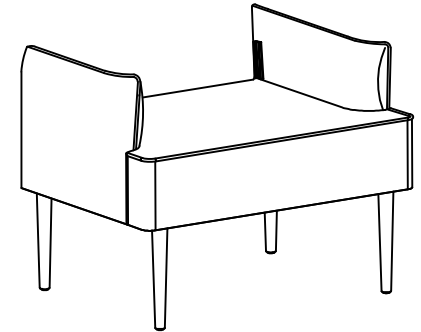
Accent chair  
MY-6491



1. Screw legs into the hole under the seat



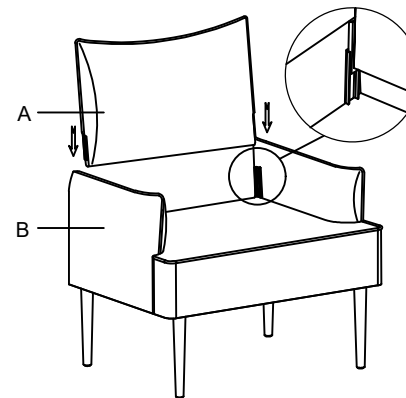
2. Put chair on the flat ground



## Component&Hardware list

| LABEL |  | DESCRIPTION | QTY |
|-------|--|-------------|-----|
| A     |  | Back        | 1   |
| B     |  | Chair body  | 1   |
| C     |  | Leg         | 4   |
| D     |  | Washer      | 4   |

3. Align the the clip of back&arm , then slide down and make sure to reach the bottom



4. Adjust chair to leveled position through the plastic nails under the legs

