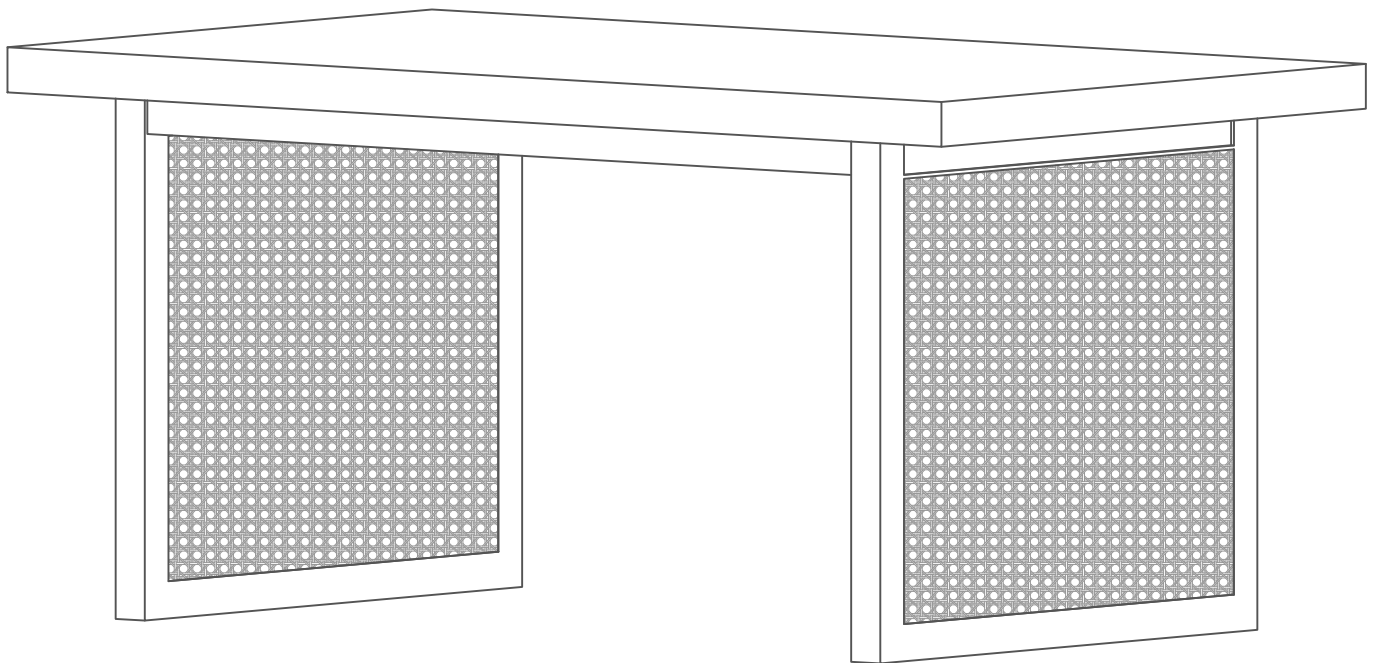


# ASSEMBLY INSTRUCTION

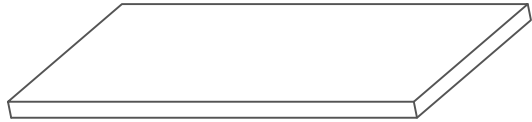

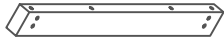
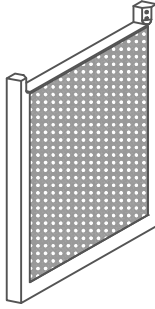
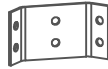
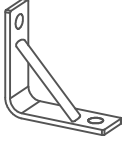

## HM20843












### Important

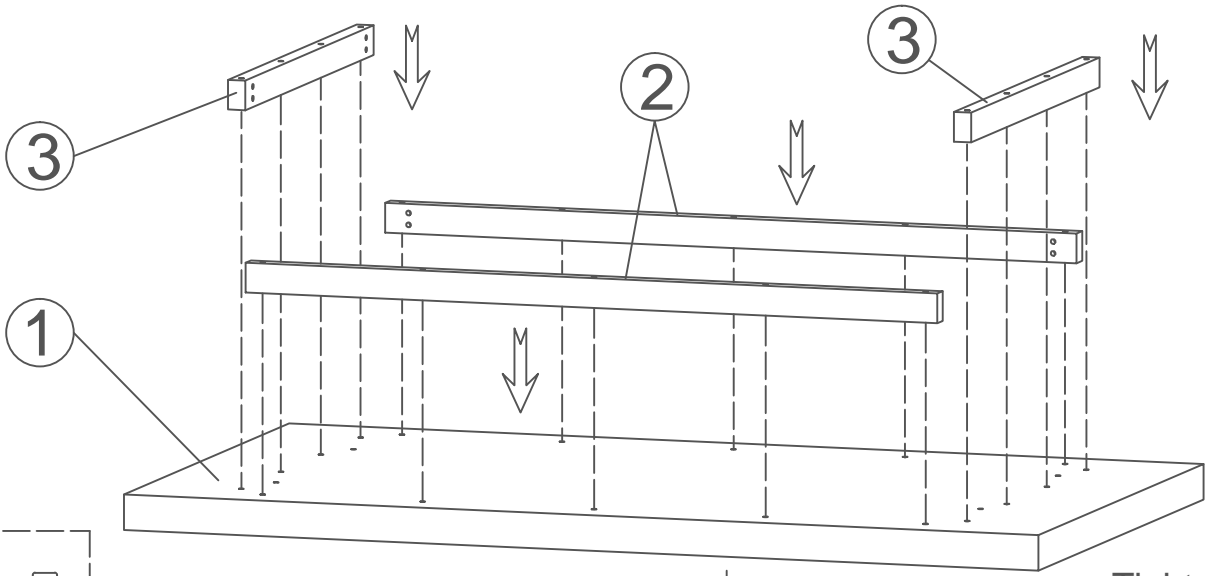
1. it's recommended to have two people for the installation, this will significantly improve your efficiency.
2. Before you begin: lay out all of the parts on a non-abrasive surface to identify the number tags in the manual and count before assembly.
3. For a smooth assembly process, we suggest you keep a light tightness for all the screws during assembly. After the whole table is assembled, firmly tighten all the screws.
4. If you have any questions during the installation, please contact us. We will help you as soon as possible.

# Parts List

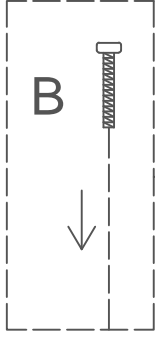
LABEL	PICTURE	DESCRIPTION	QTY
①		Table top	x1
②		Long cross bar	x2
③		Short cross bar	x2
④		Leg	x2
⑤		Metal fittings	x4
⑥		Strengthening rib	x4
⑦		Bakancing mat	x4

LABEL	PICTURE	DESCRIPTION	QTY
A		Bolts (M6X20mm)	x24
B		Bolts (M6X65mm)	x18
C		Bolts (M8X55mm)	x8
D		Spring gasket (M6)	x24
E		Flat gasket (M6)	x24
F		Spring gasket (M8)	x8
G		Flat gasket (M8)	x8
H		Allen key (M6)	x1
I		Allen key (M8)	x1

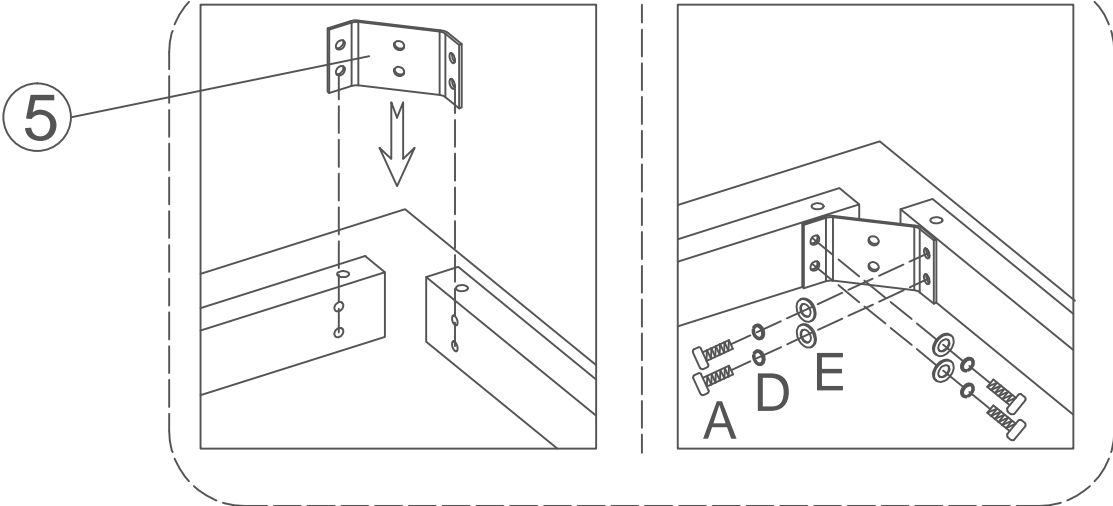
# 01



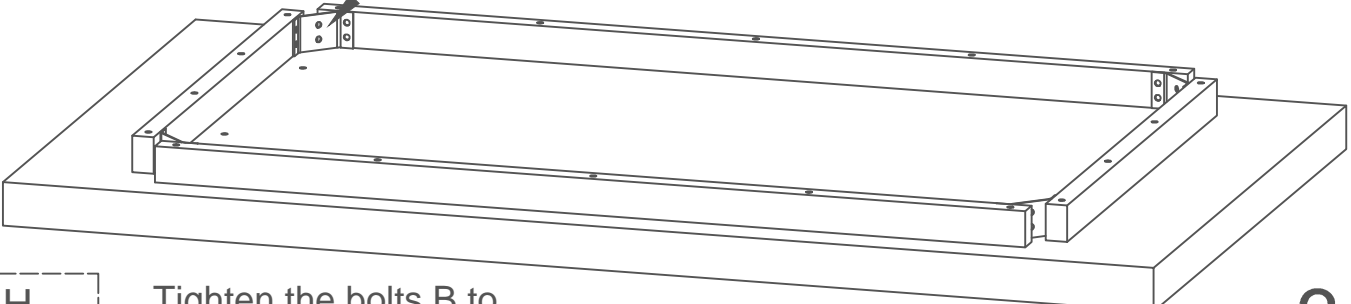
Tighten the bolts to 70% tightness



# 02

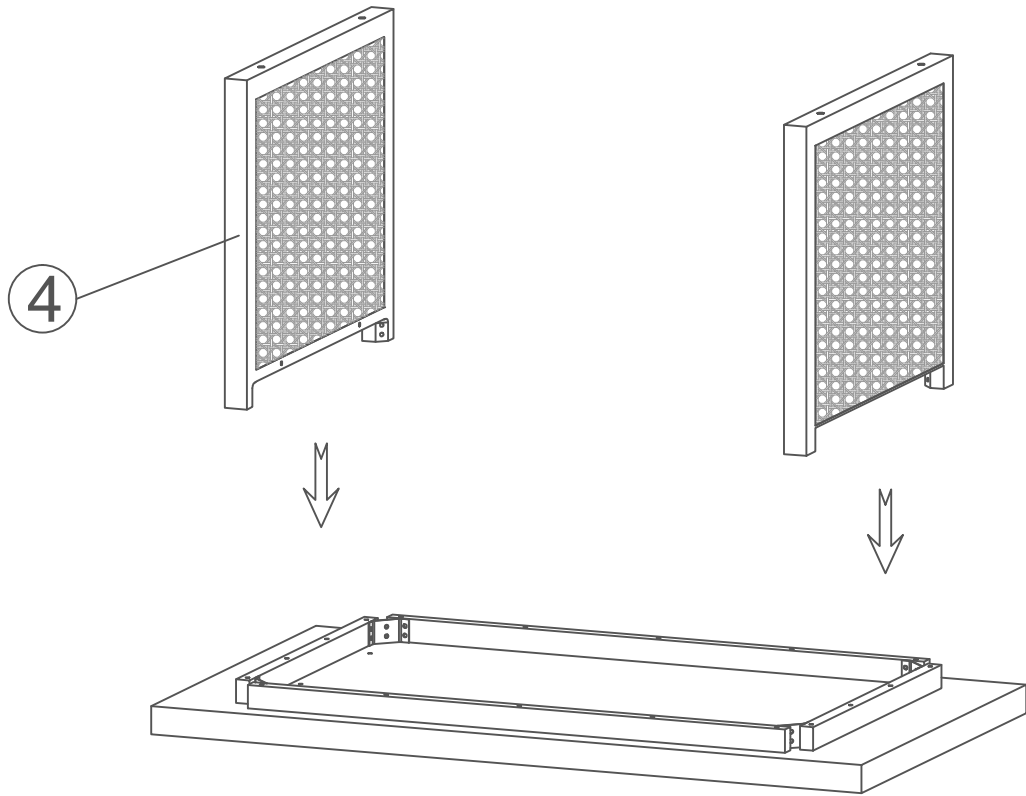


x4 Tighten the bolts A to 100% tightness

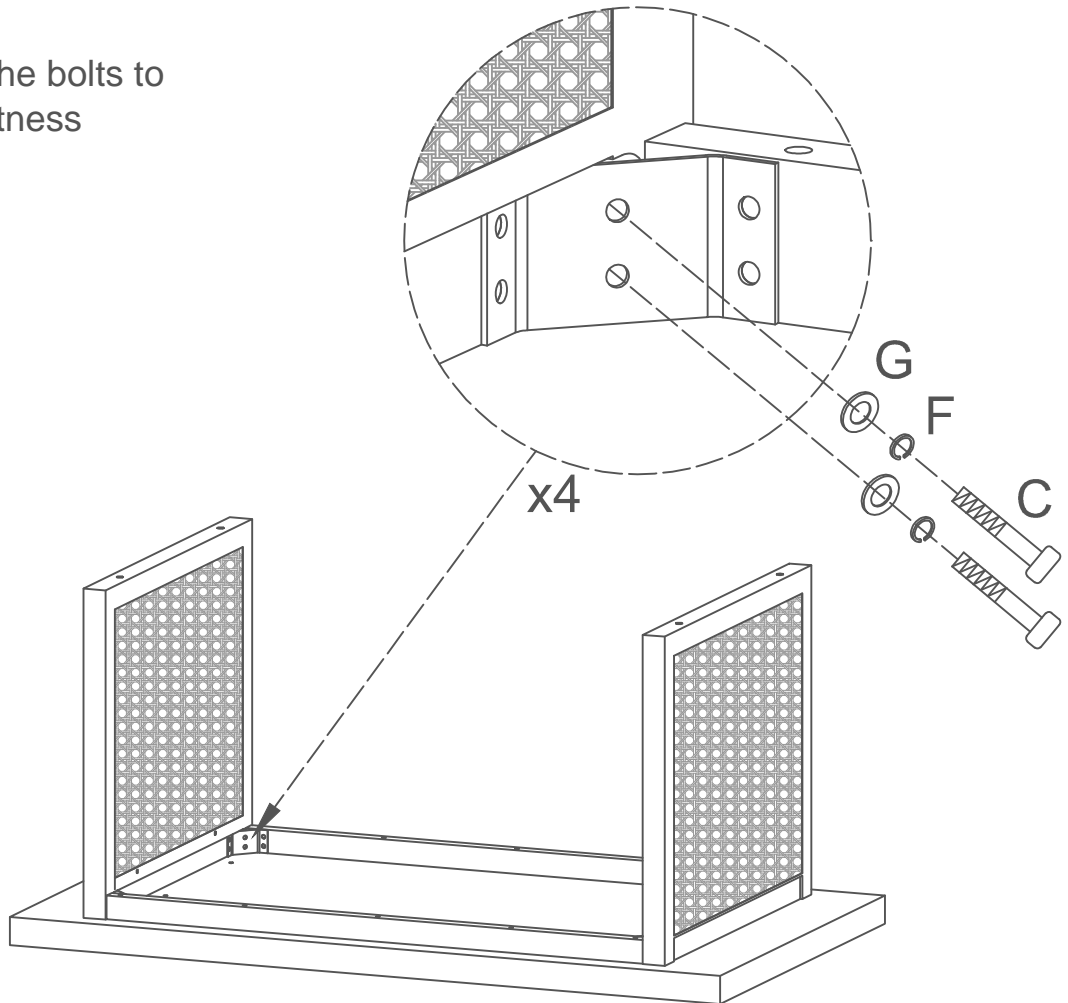


Tighten the bolts B to 100% tightness



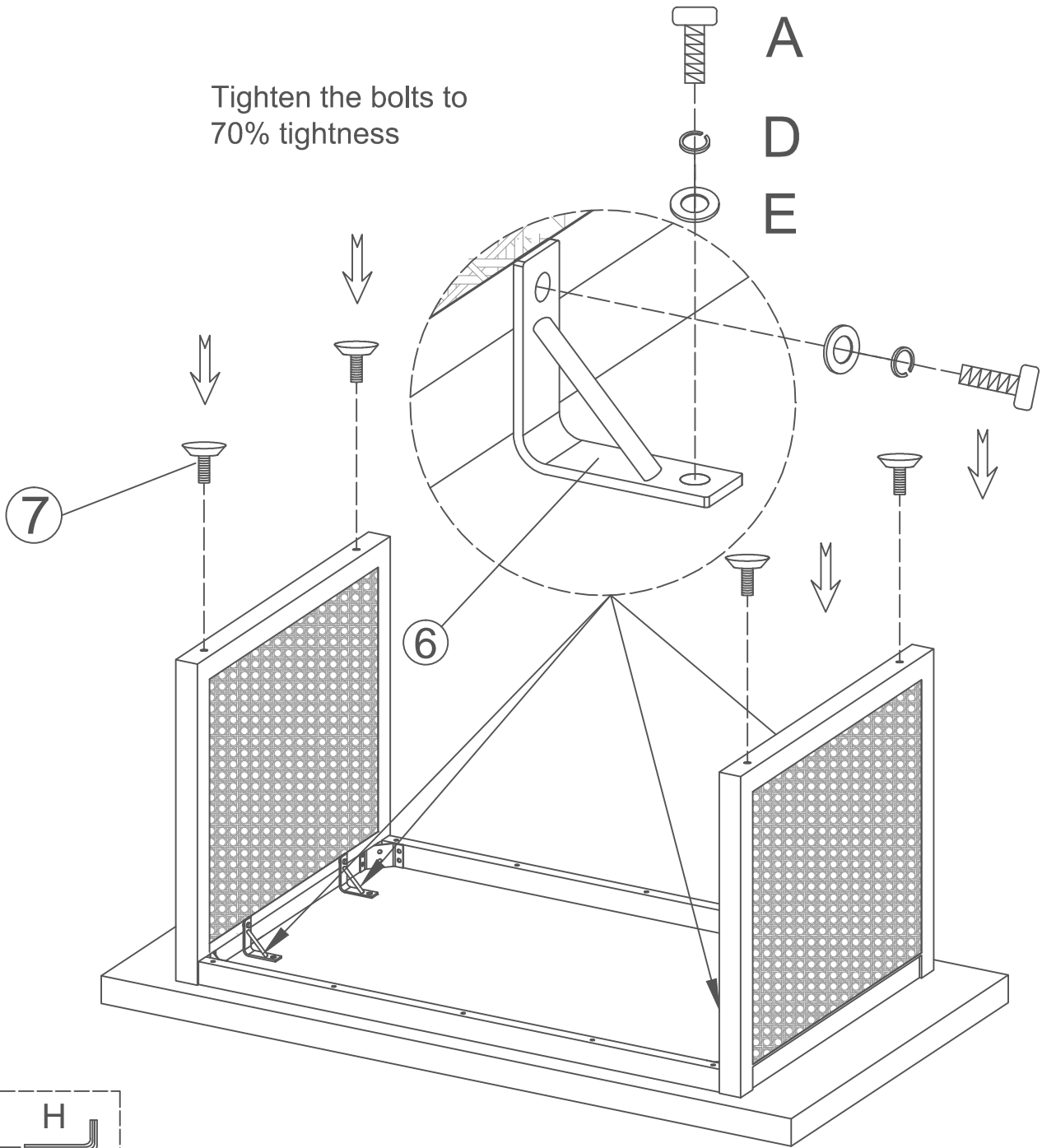


Tighten the bolts to 70% tightness



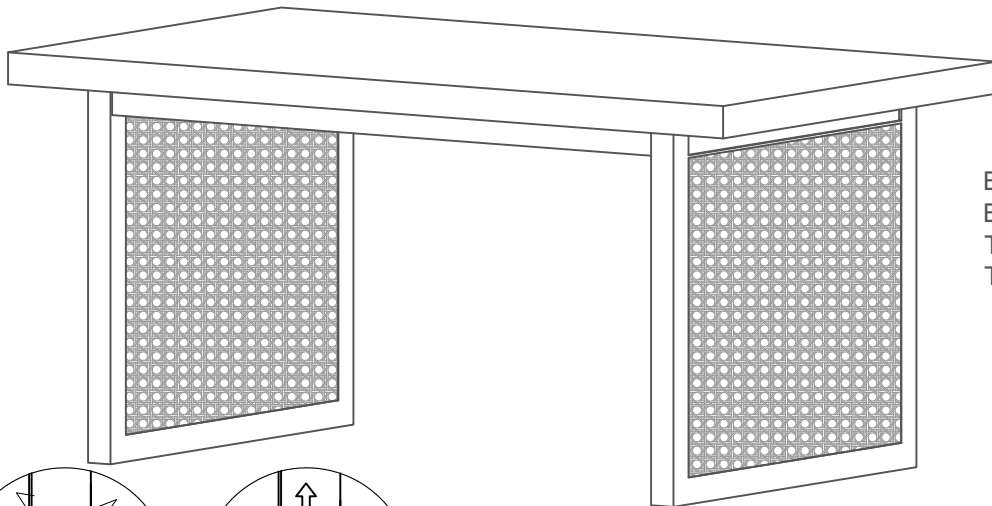
# 04

Tighten the bolts to 70% tightness

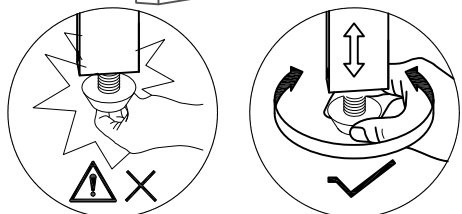


# 05

TIGHTEN BOLT COMPLETELY



BE SURE TO CHECK ALL BOLTS ARE SECURELY TIGHTENED PRIOR USING THIS ITEM



Adjust the table so that it is leveled, then fully tighten all the bolts