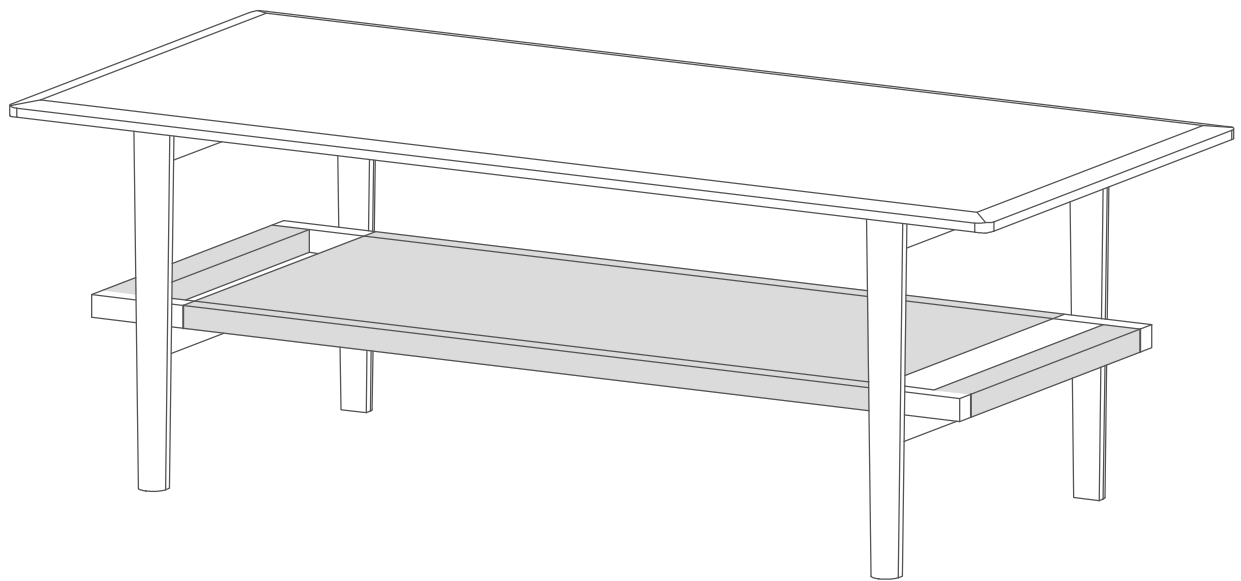


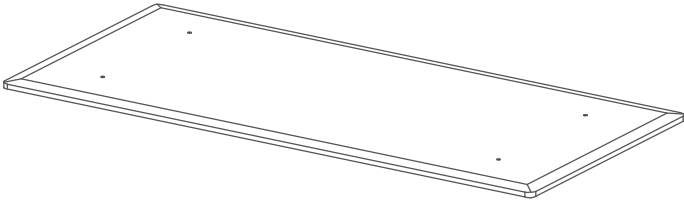
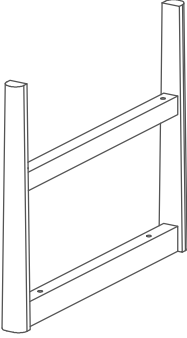
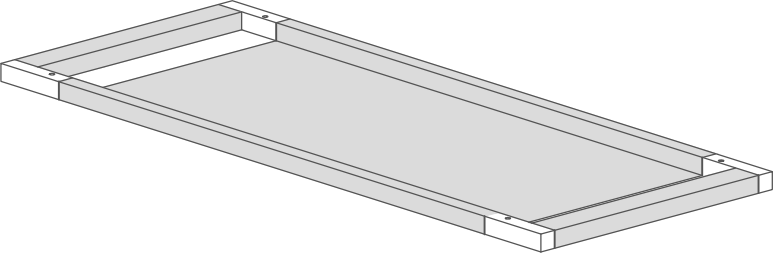
ASSEMBLY INSTRUCTION

Coffee Table





DY - HM21793CT



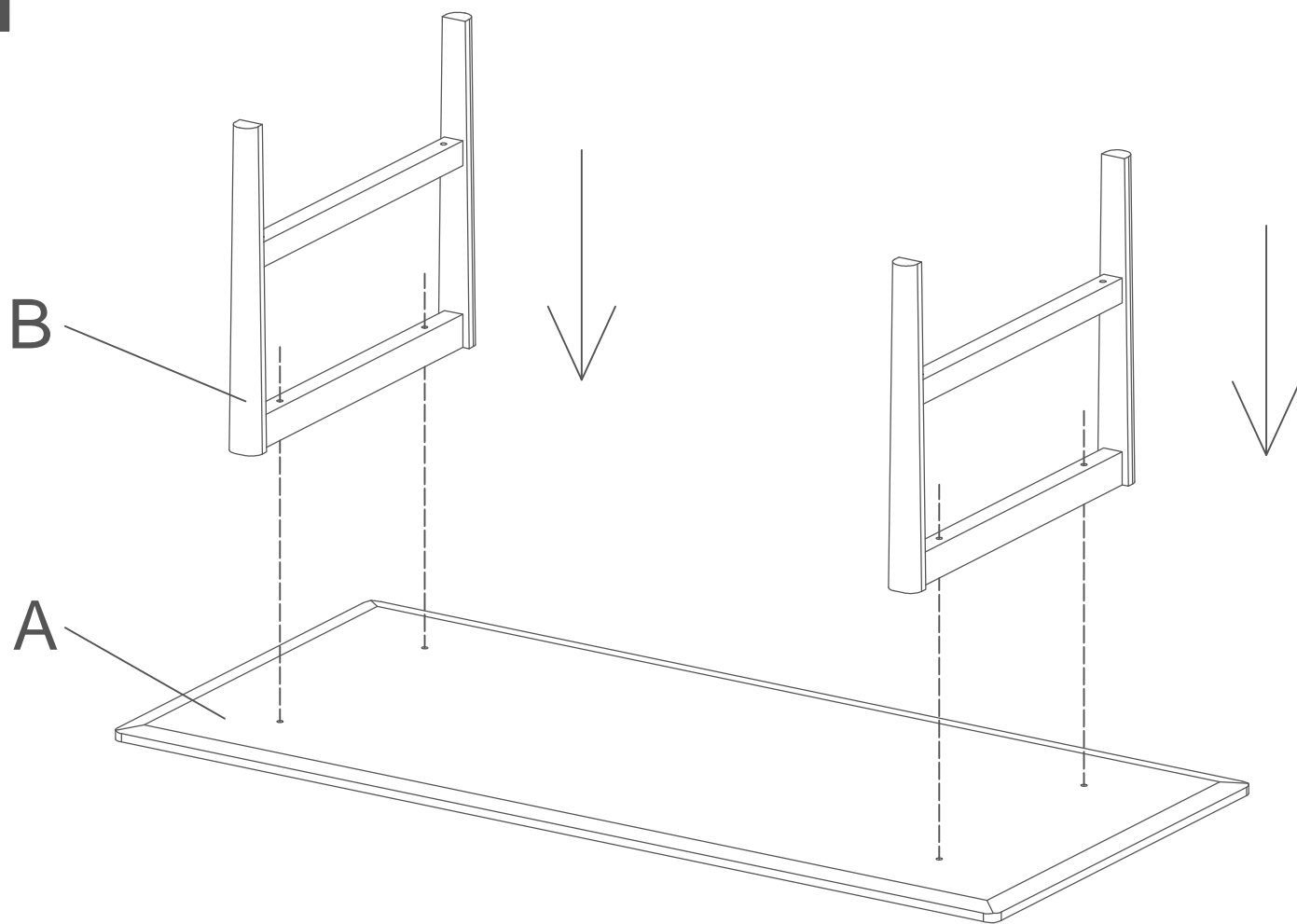
Component List

LABEL		DESCRIPTION	QTY
A		Table top	x1
B		Leg	x2
C		Blind ceiling	x1

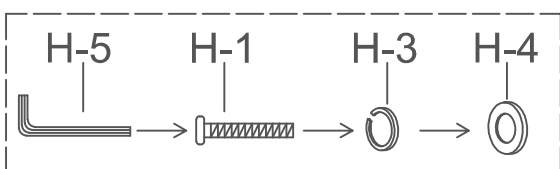
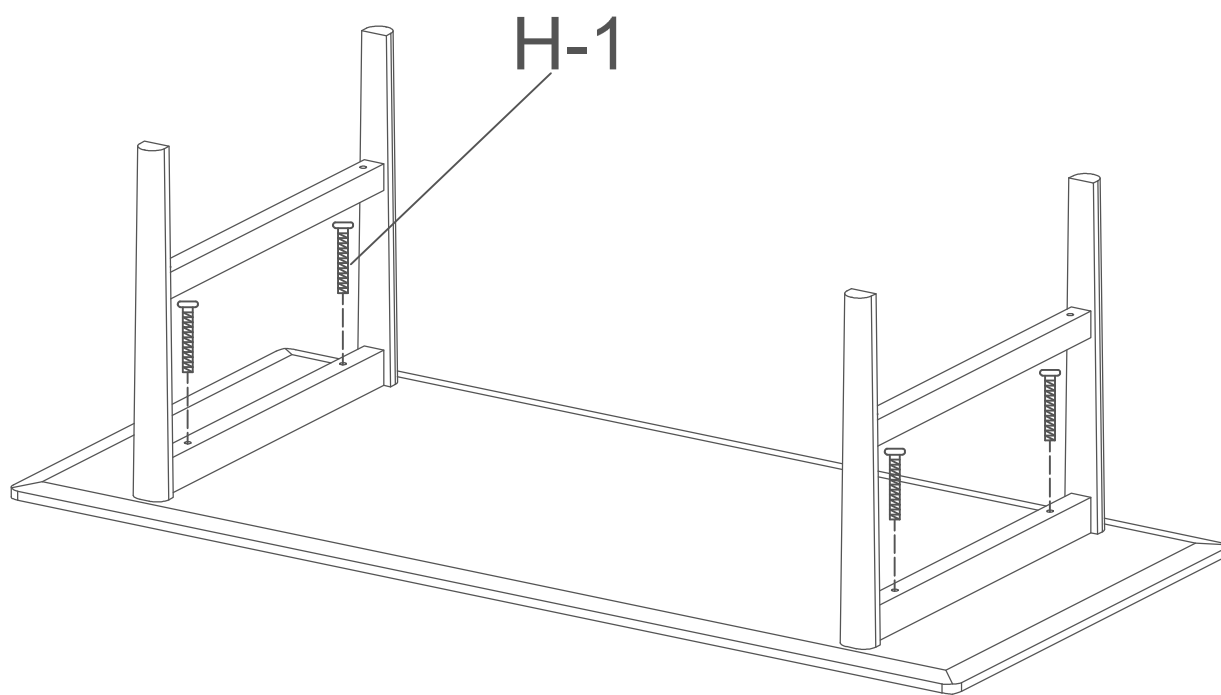
Hardware List

H-1		Bolts (M6X40mm)	x8
H-2		Spring gasket (M6)	x8
H-3		Flat gasket (M6)	x8
H-4		Allen key (M6)	x1

1

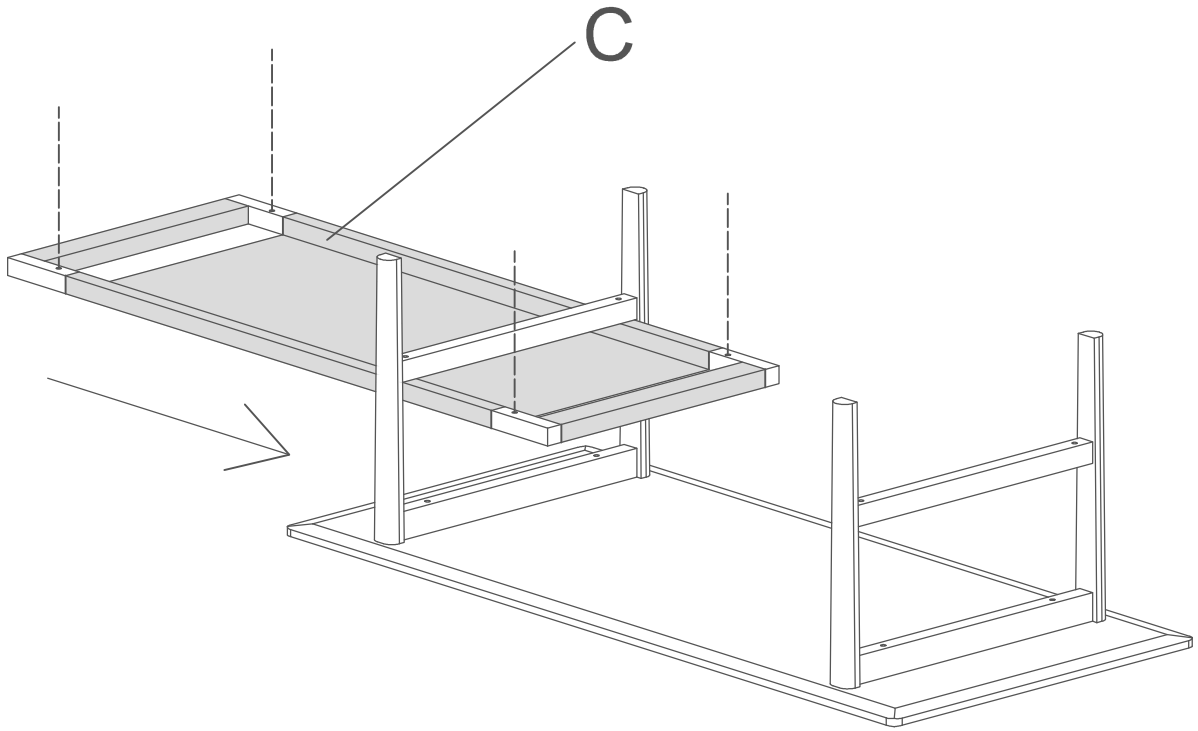


2

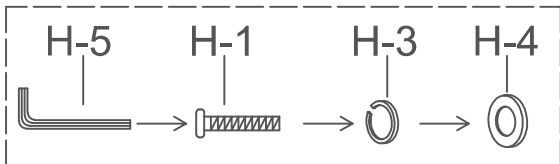
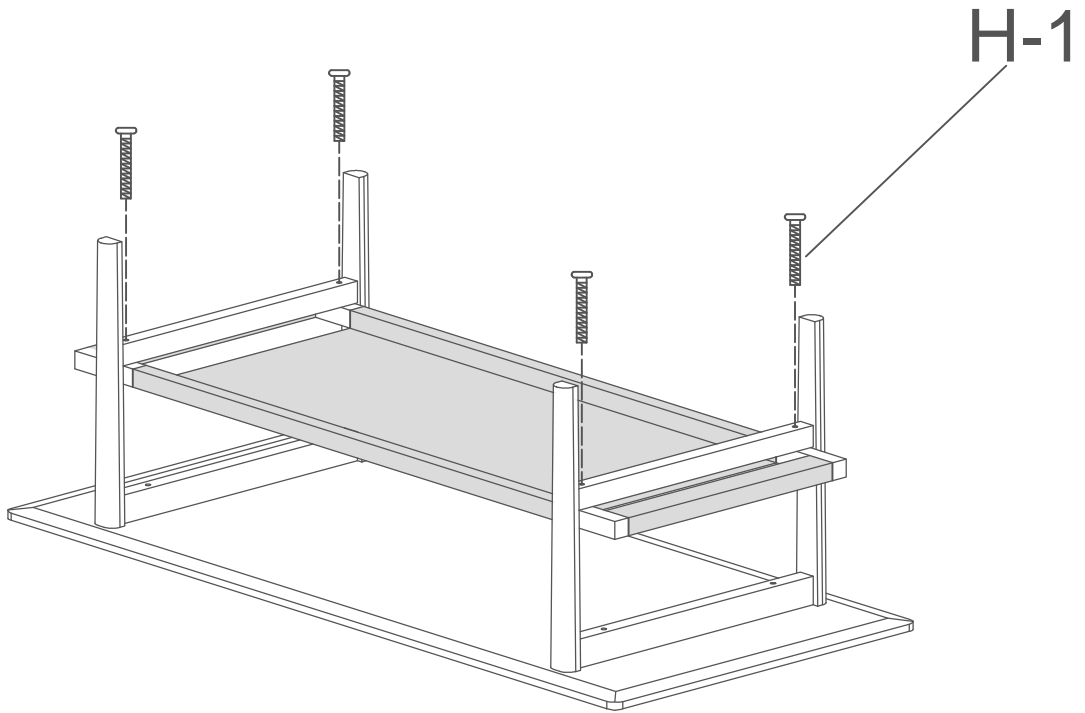


Tighten the bolts to 60% tightness

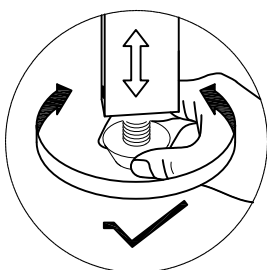
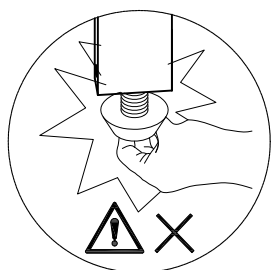
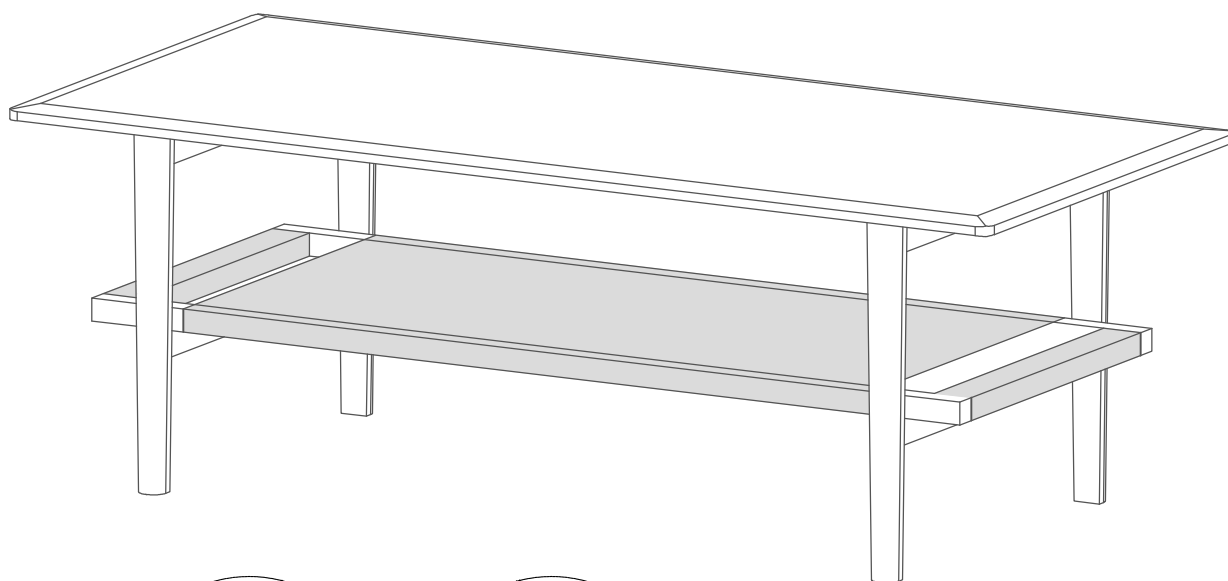
3



4



Tighten the bolts to 60% tightness



Adjust the table so that it is leveled,
then fully tighten all the bolts

Tighten bolts and
screws completely

Be sure to check all
bolts and screws are
securely tightened
prior using this item