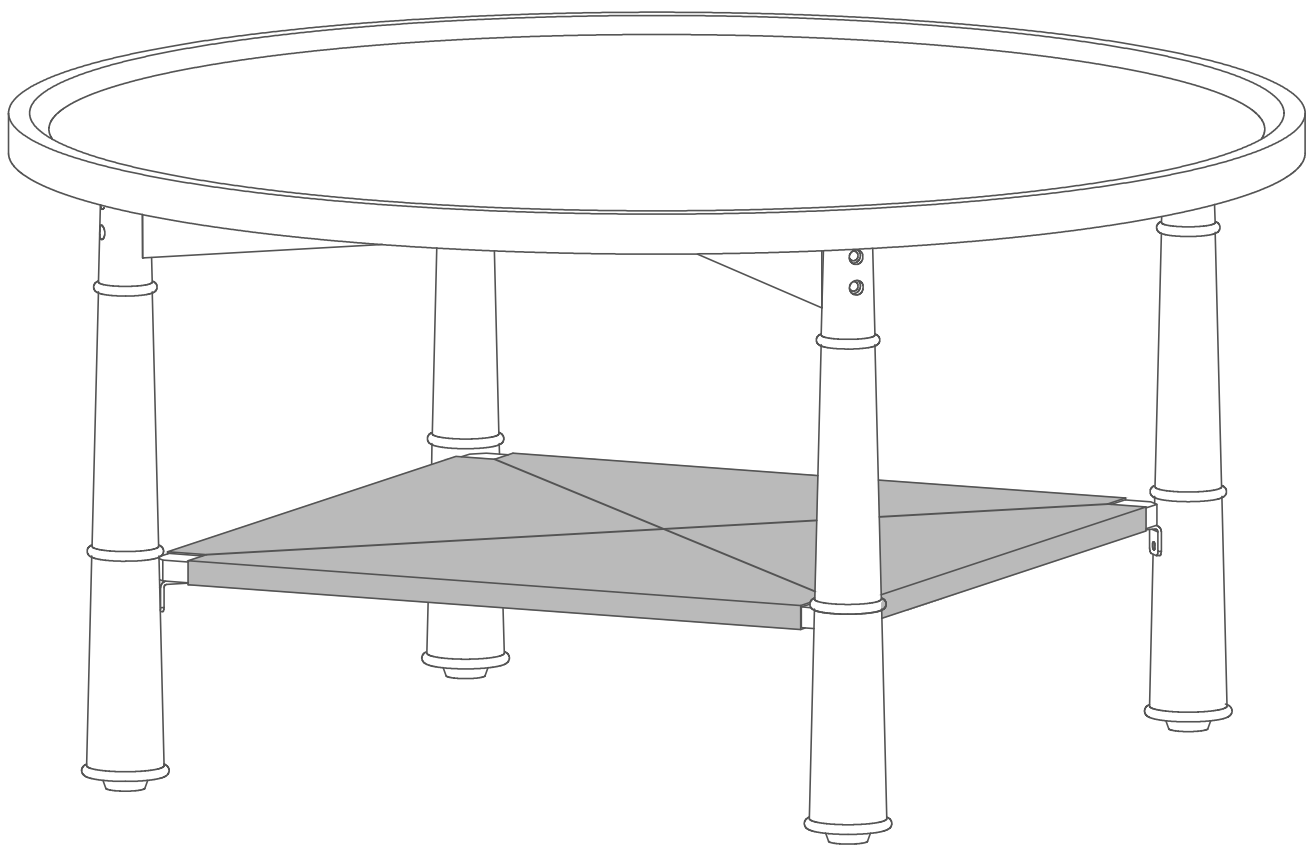


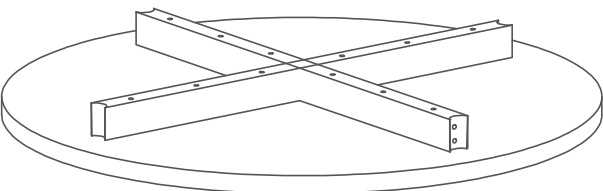

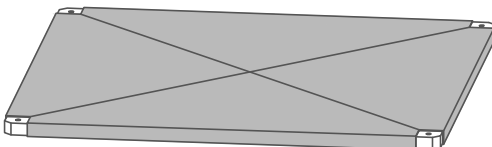
ASSEMBLY INSTRUCTION

Coffee Table




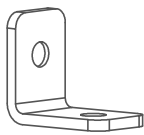

DY-HM22747CT



Component List

LABEL		DESCRIPTION	QTY
A		TOP	x1
B		Leg	x4
C		Laminate	x1

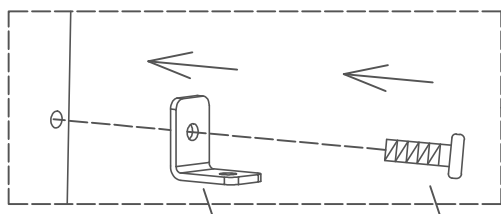
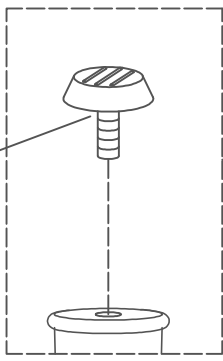
Hardware List

H-1		Bolts (M6X12mm)	x8
H-2		Bolts (M6X40mm)	x8
H-3		Adjust bolts	x4
H-4		Connector	x4
H-5		Allen key (M6)	x1

1

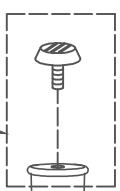
H-3

Tighten the bolts to 75% tightness

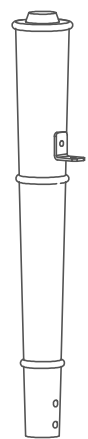
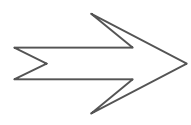


H-4

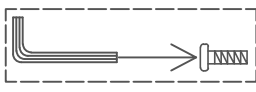
H-1



B



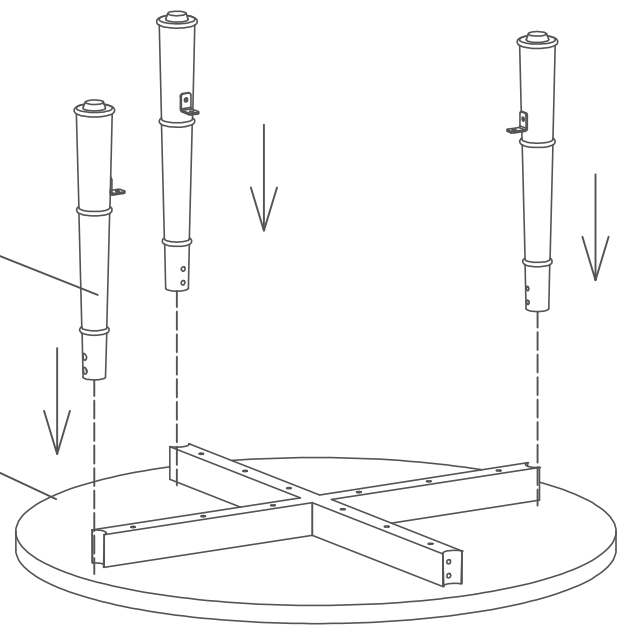
x4



2

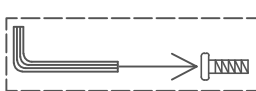
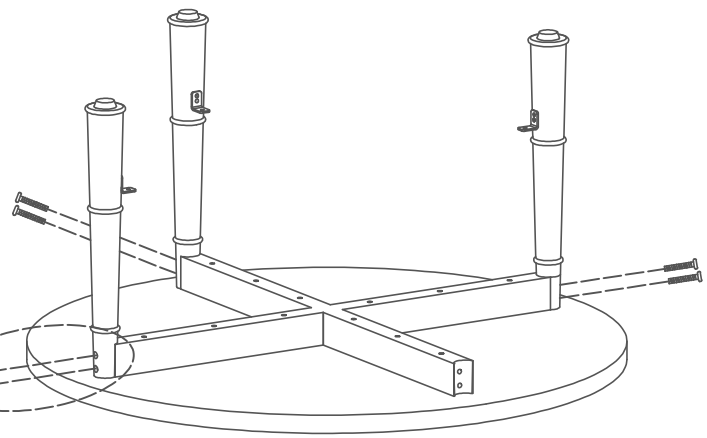
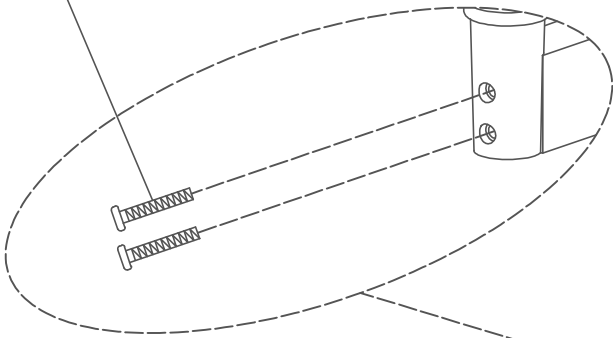
B

A



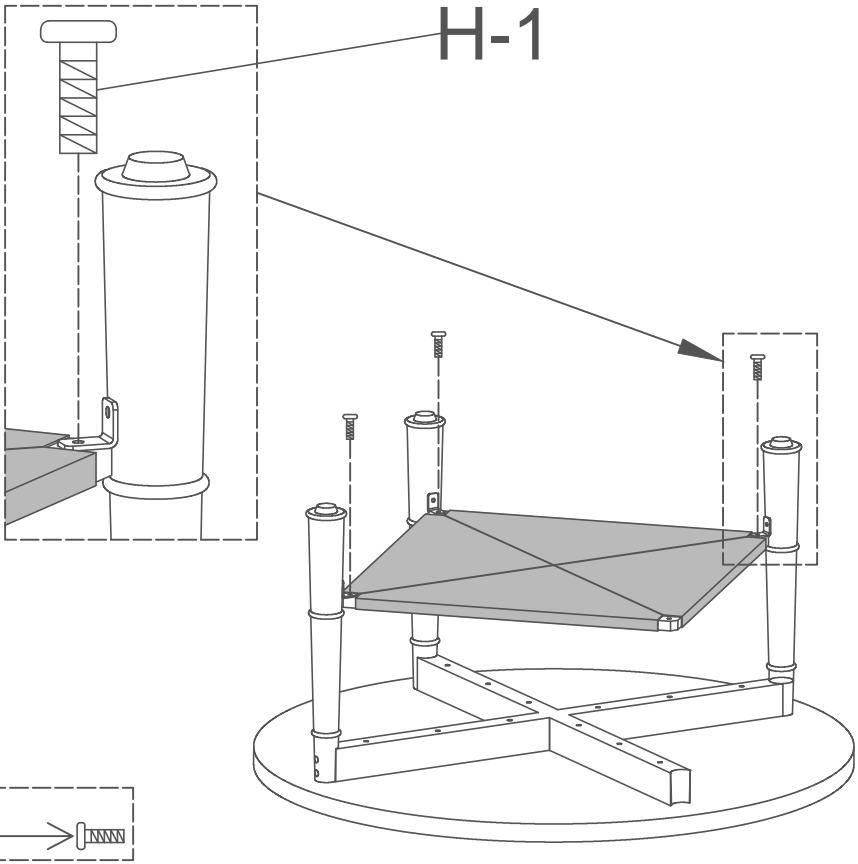
Tighten the bolts to 60% tightness

H-2

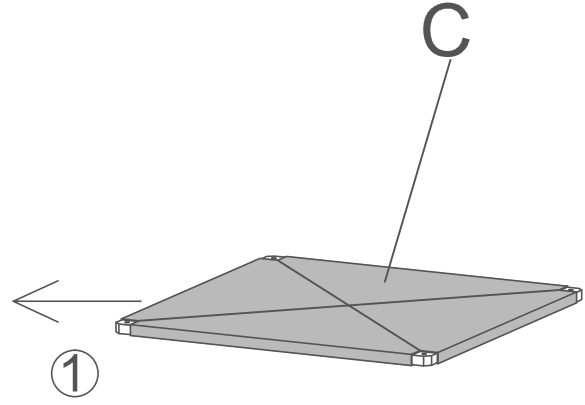


-3-

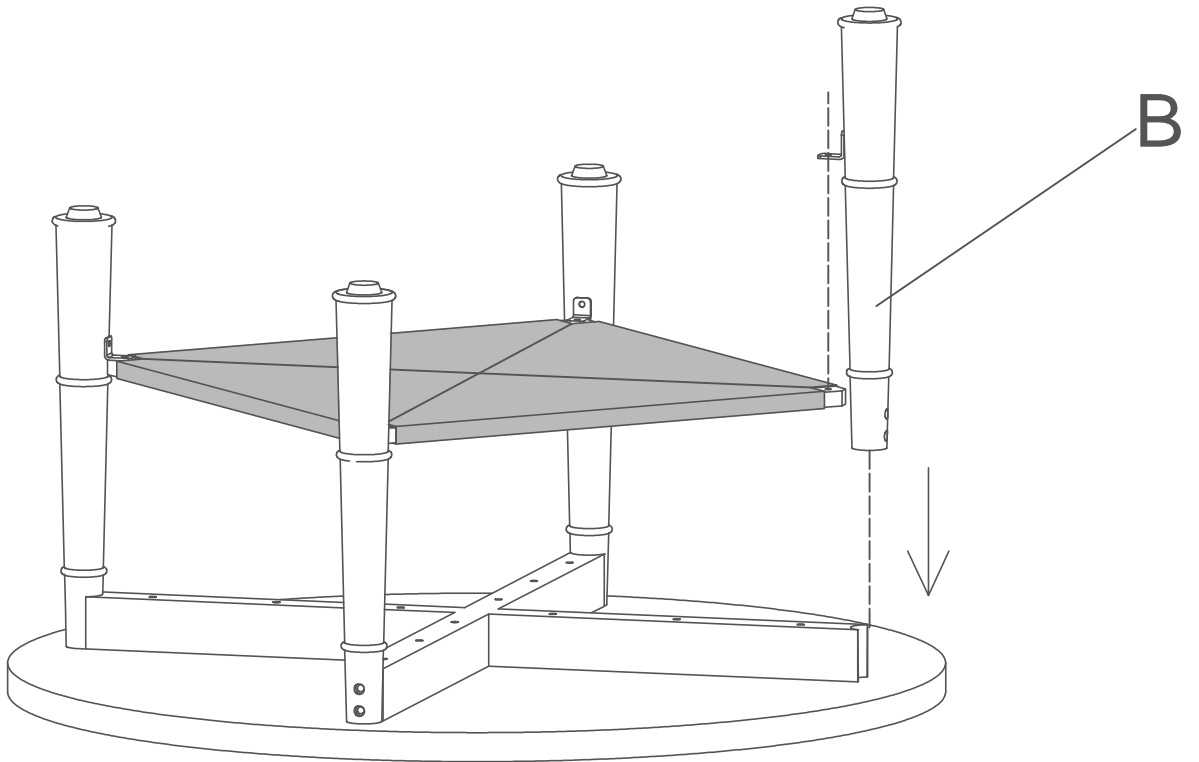
3



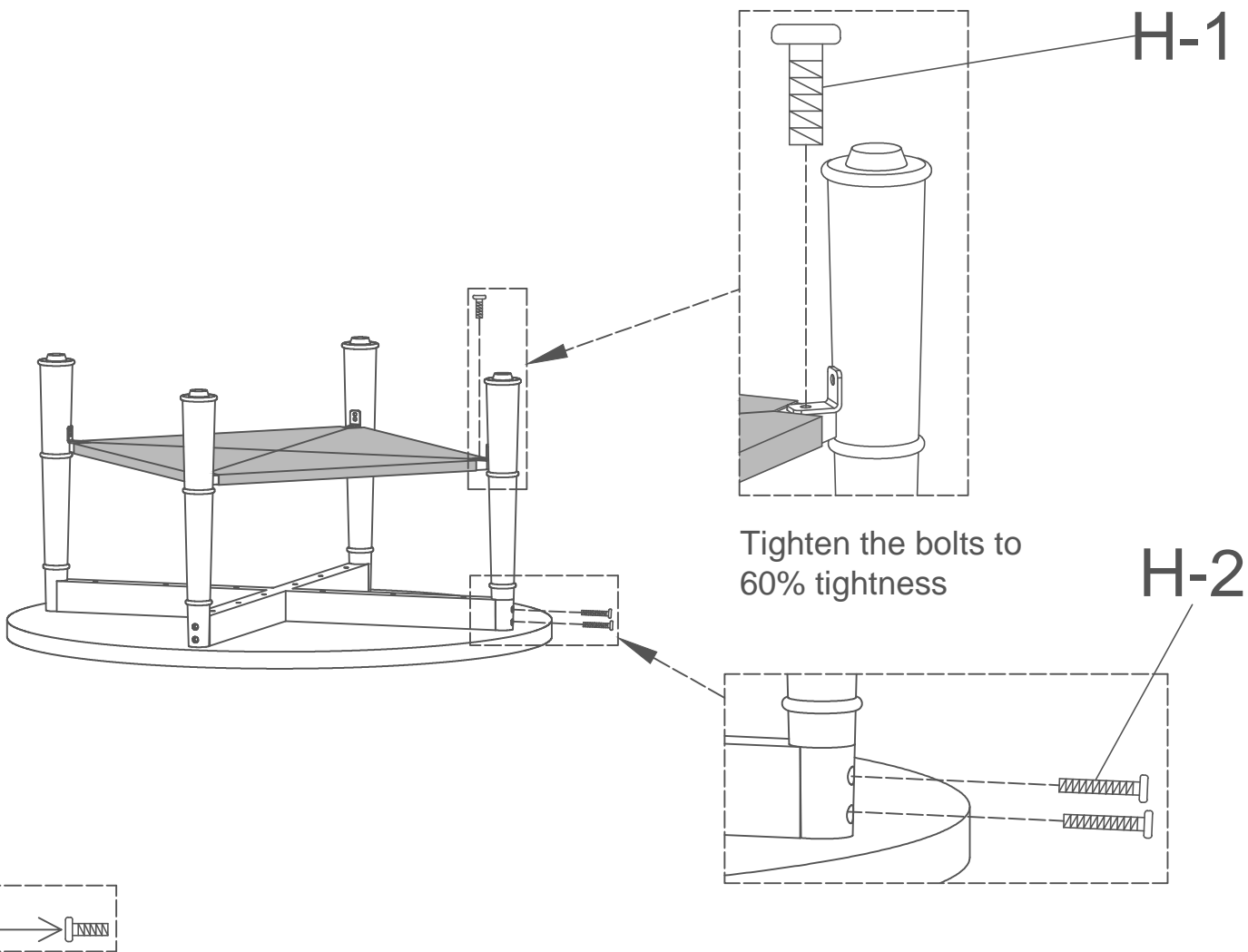
Tighten the bolts to 60% tightness



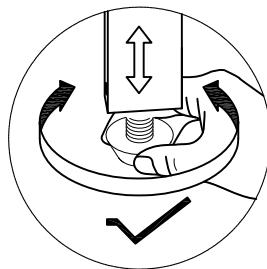
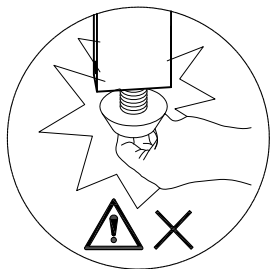
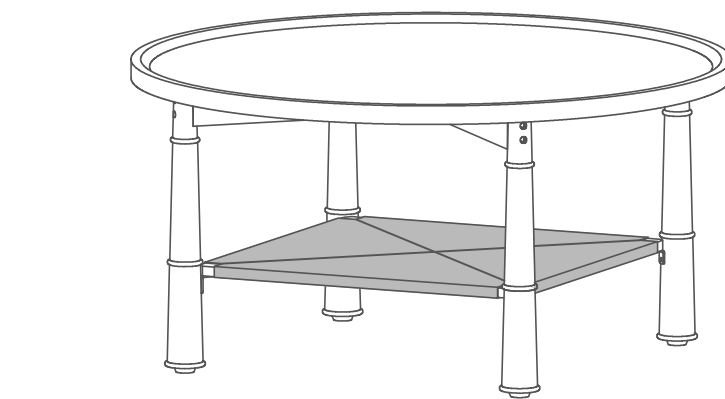
4



5



6



Adjust the table so that it is leveled,
then fully tighten all the bolts

Tighten bolts and
screws completely

Be sure to check all
bolts and screws are
securely tightened
prior using this item