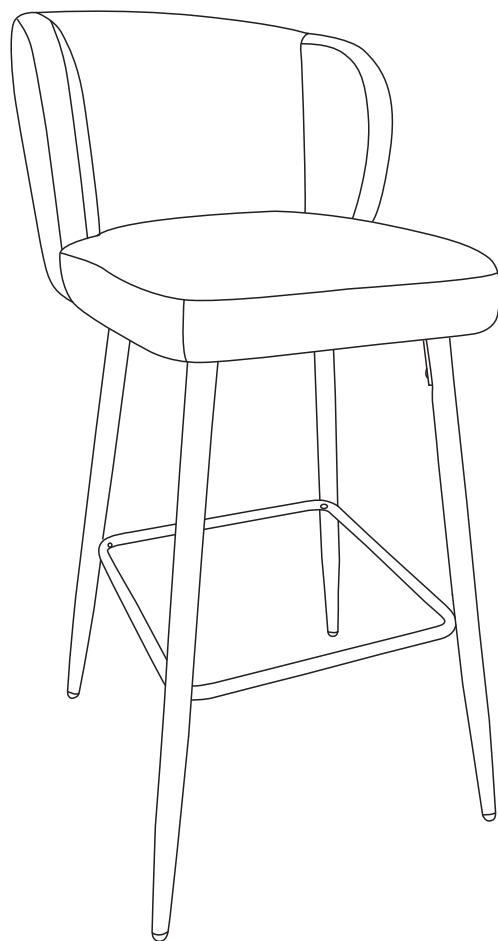
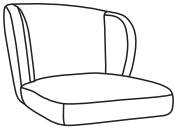

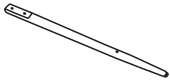
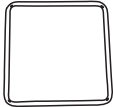
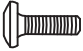
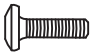
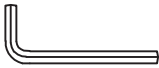


ASSEMBLY INSTRUCTION

Stool
DY-SY 2305 KD

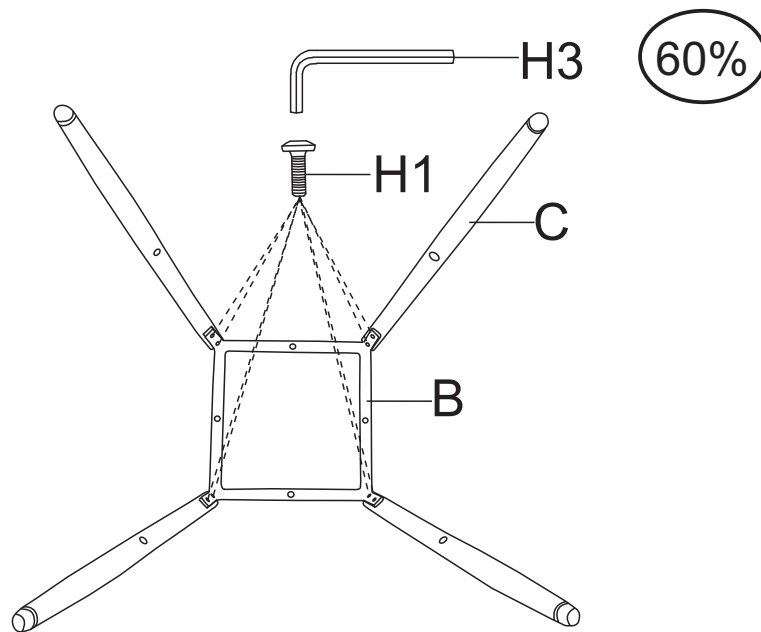


ComponentList			
LABEL		DESCRIPTION	QTY
A		Chair Seat	1
B		Base Part	1
C		Leg	4
D		Stretcher	1

HardwareList			
LABEL		DESCRIPTION	QTY
H1		Bolts M6*16MM	8
H2		Bolts M6*25MM	8
H3		Allen Key	1

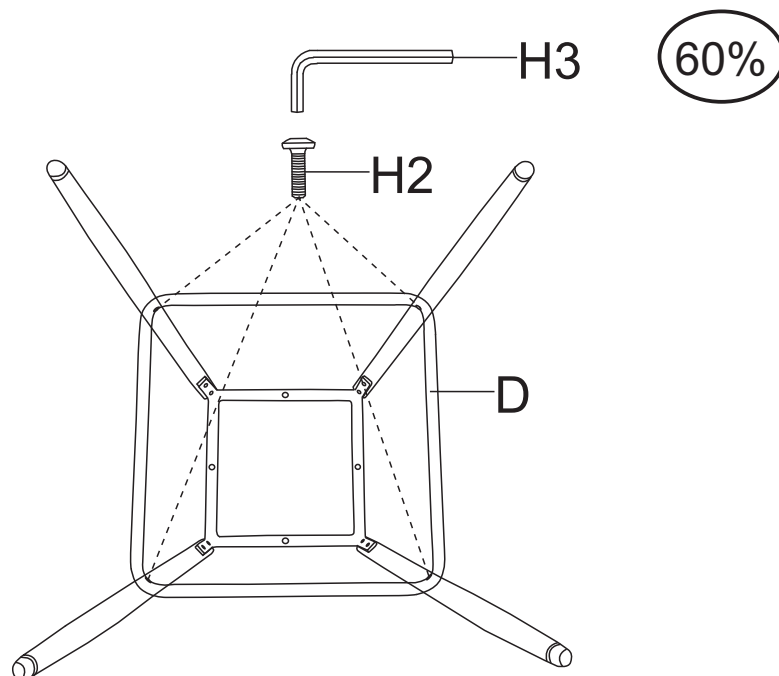
AssemblySteps

1



Engage the bolts to 60% tightness.

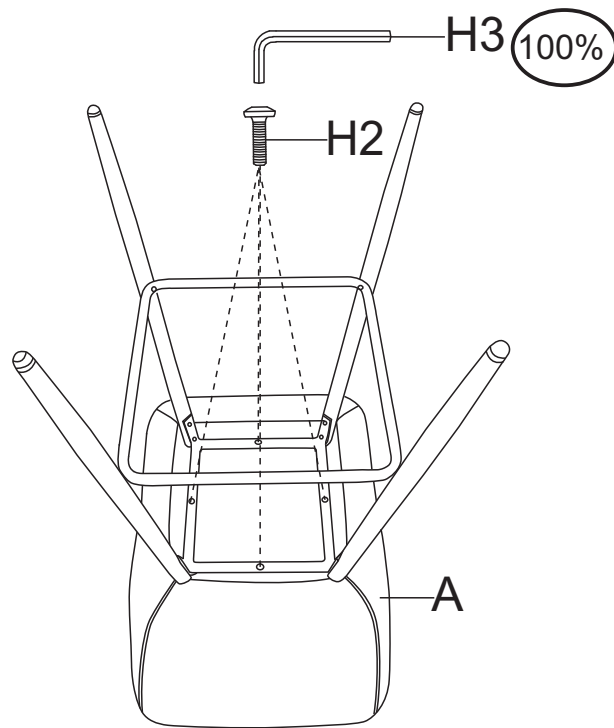
2



Engage the bolts to 60% tightness.

AssemblySteps

3



Tighten all bolts 100% tightness.

4

