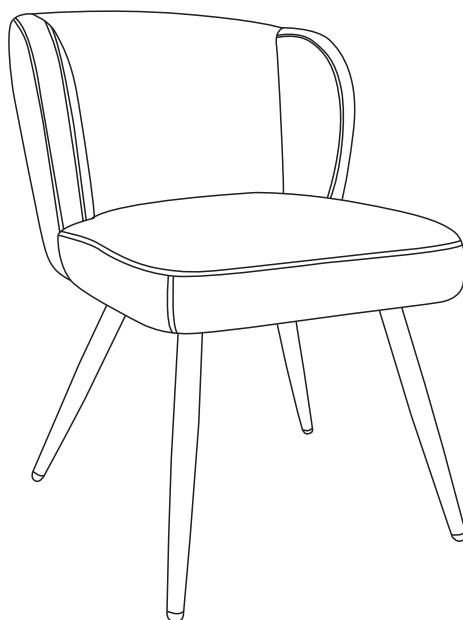
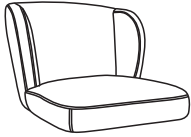
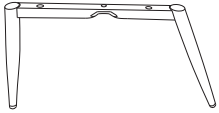
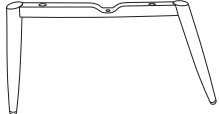


ASSEMBLY INSTRUCTION




Dining chair
DY-SY 7532 KD



ComponentList

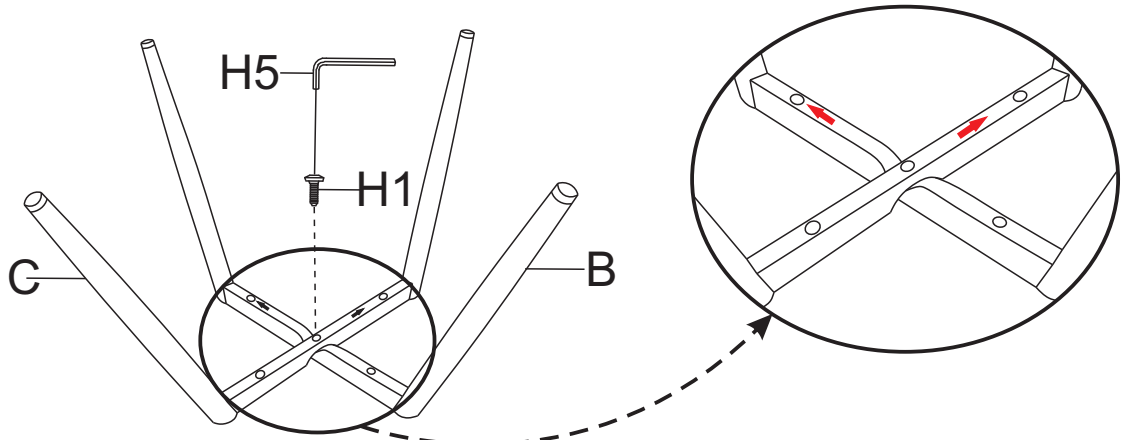
LABEL		DESCRIPTION	QTY
A		Chair Seat	1
B		Leg frame	1
C		Leg frame	1

HardwareList

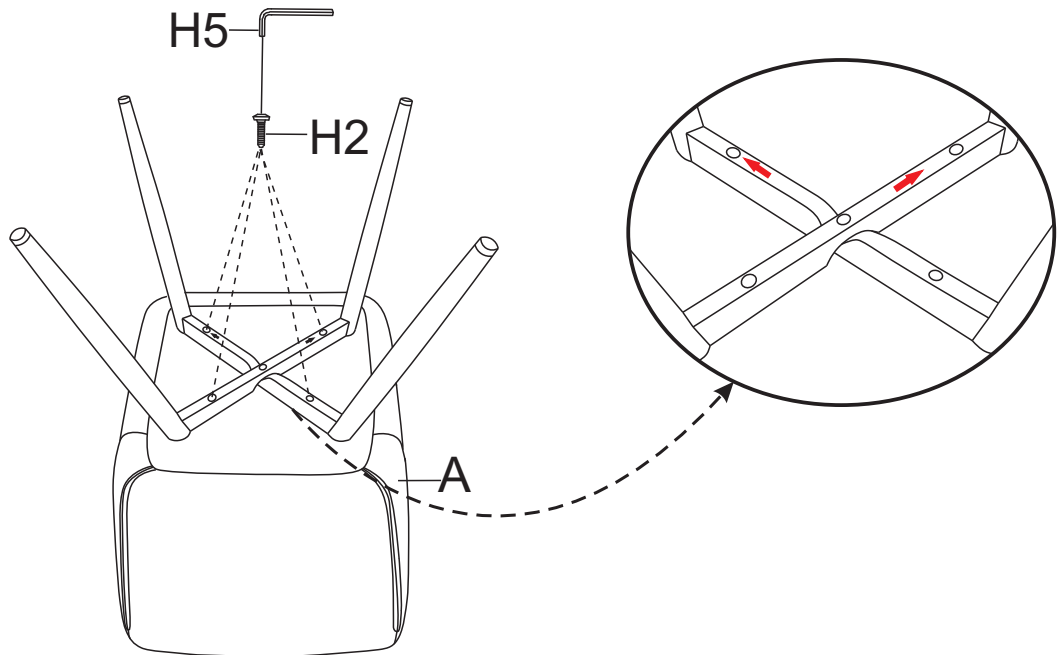
LABEL		DESCRIPTION	QTY
H1		Bolts M6*30MM	1
H2		Bolts M6*45MM	4
H3		Allen Key	1

AssemblySteps

1



2



AssemblySteps

3

