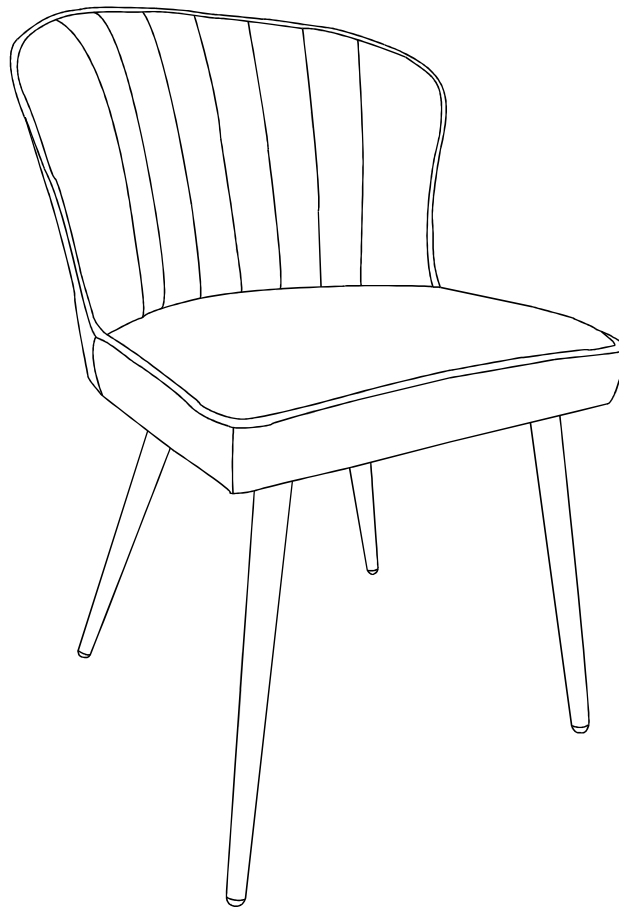
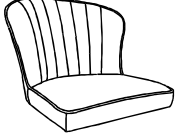
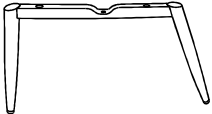
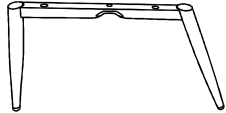
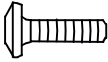




# ASSEMBLY INSTRUCTION

Dining Chair  
DY-SY 8696 KD

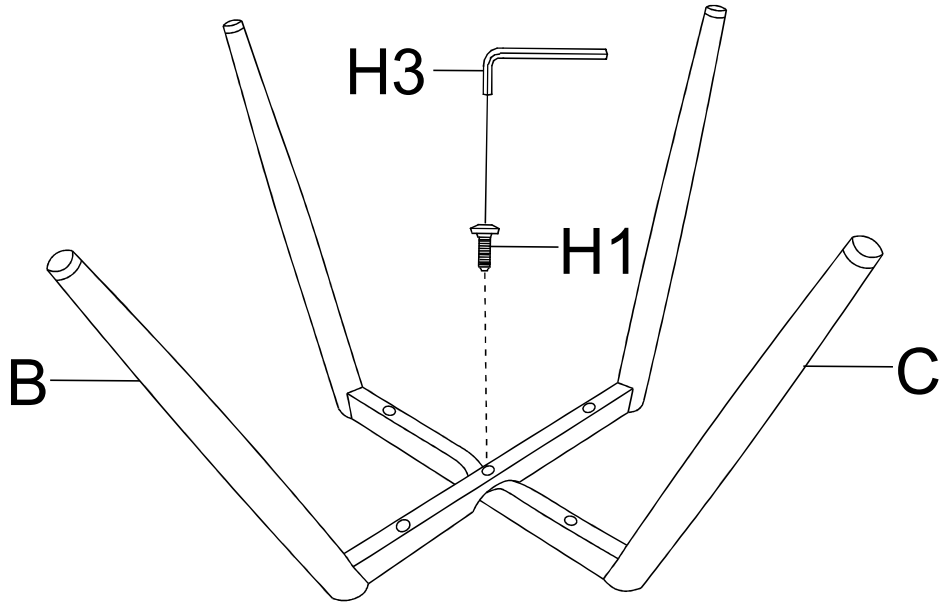


ComponentList			
LABEL		DESCRIPTION	QTY
A		Chair Seat	1
B		Leg Frame	1
C		Leg Frame	1

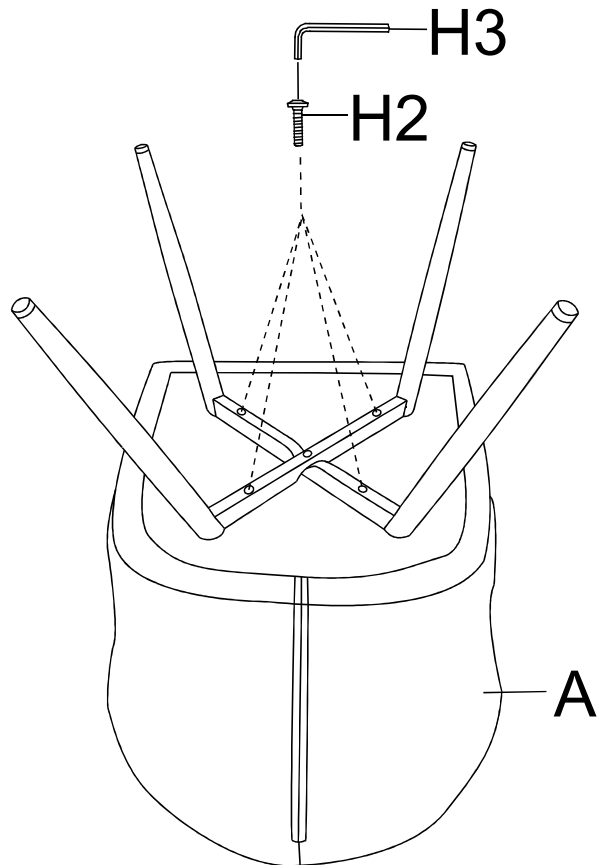
HardwareList			
LABEL		DESCRIPTION	QTY
H1		Bolts M6*30MM	1
H2		Bolts M6*45MM	4
H3		Allen Key	1

# AssemblySteps

1



2



# AssemblySteps

3

