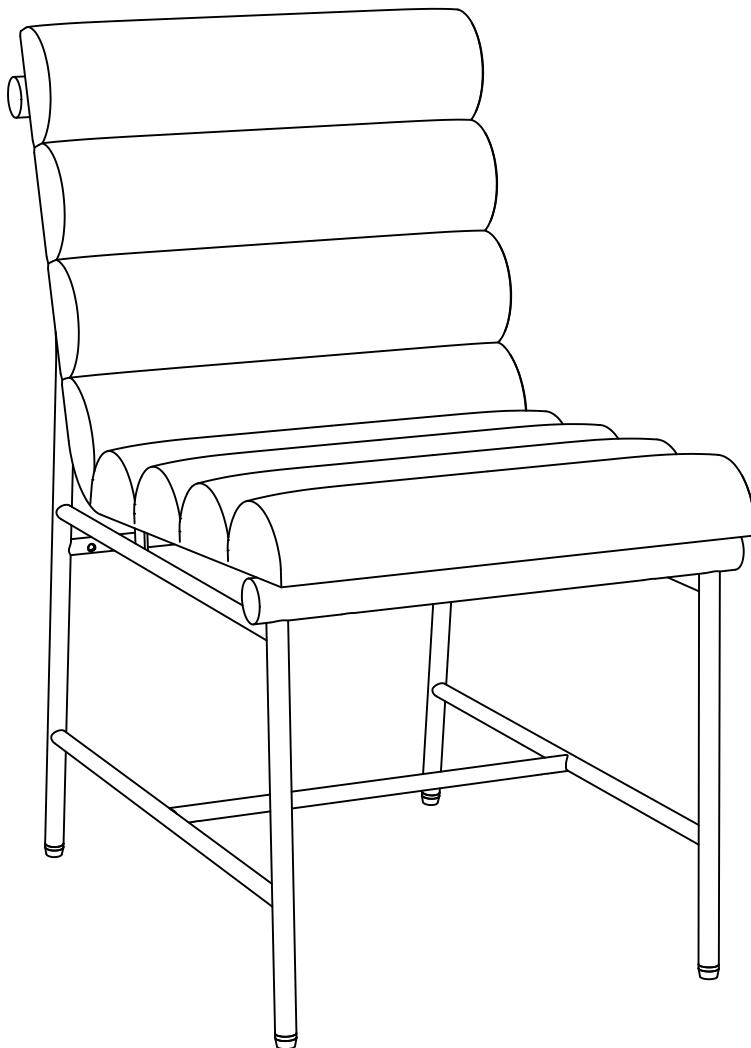
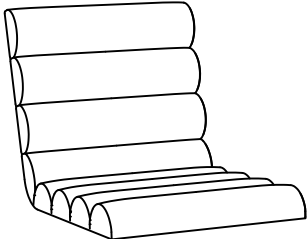
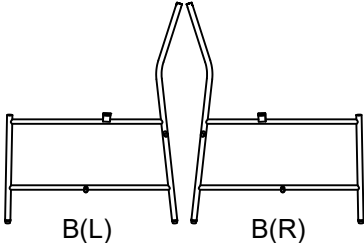
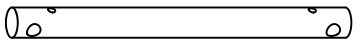
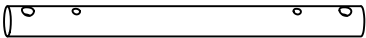
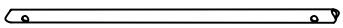


ASSEMBLY INSTRUCTION

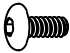
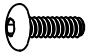



Dining chair
TN-10005

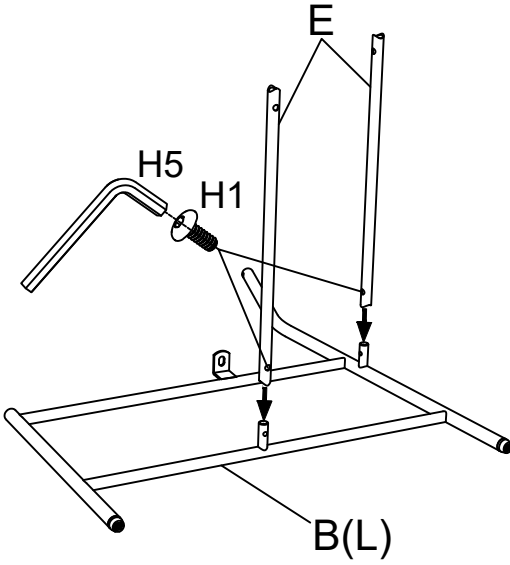


Component List

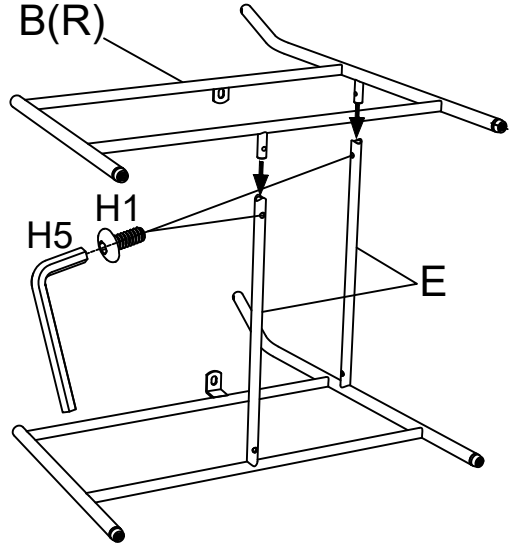
LABEL		DESCRIPTION	QTY
A		Seat	1
B		Metal frame	2
C		Wood cross	1
D		Wood cross	1
E		Metal cross	2

Hardware List

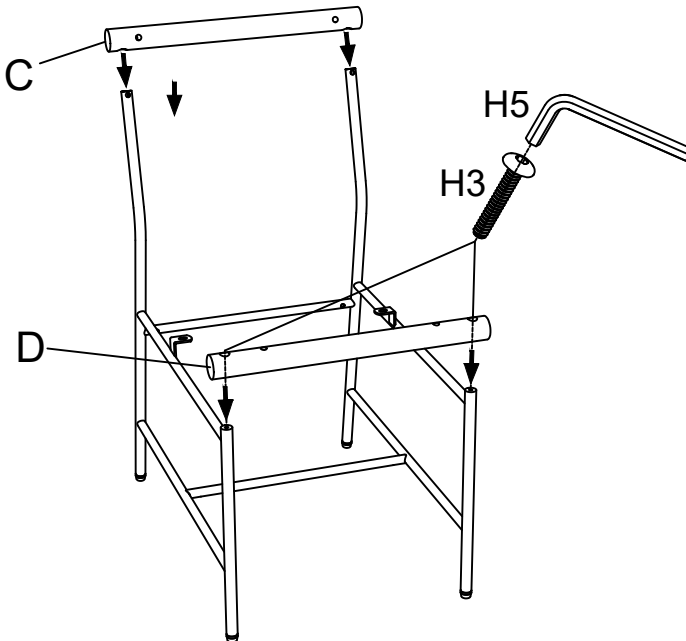
LABEL		DESCRIPTION	QTY
H1		Bolts M6×14mm	4
H2		Bolts M6×20mm	2
H3		Bolts M6×35mm	2
H4		Bolts M6×50mm	4
H5		Allen key M8	1

1

Tighten the bolts to 80% tightness.

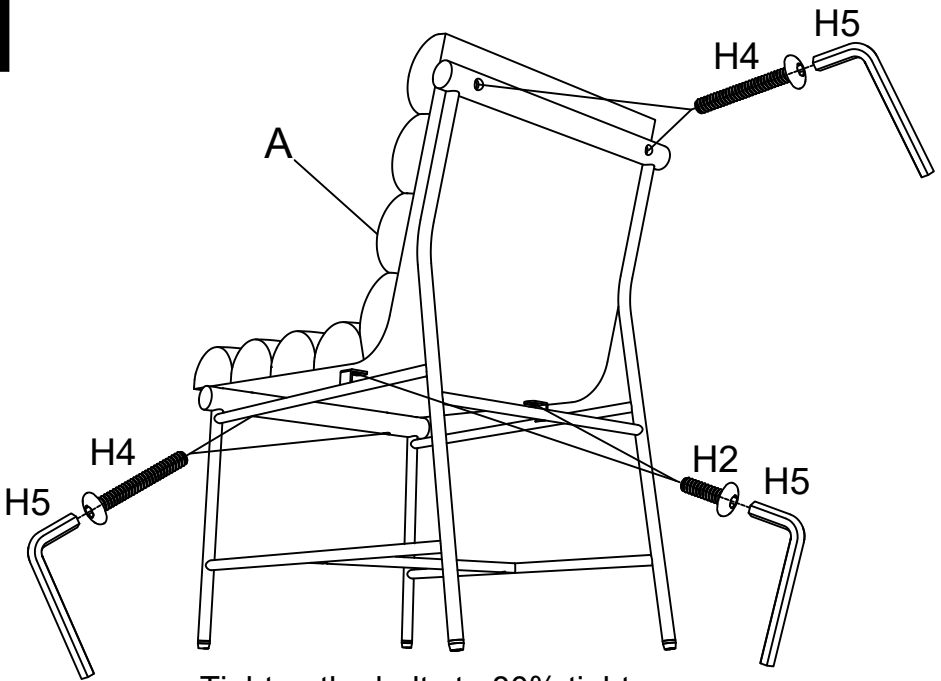
2

Tighten the bolts to 80% tightness.

3

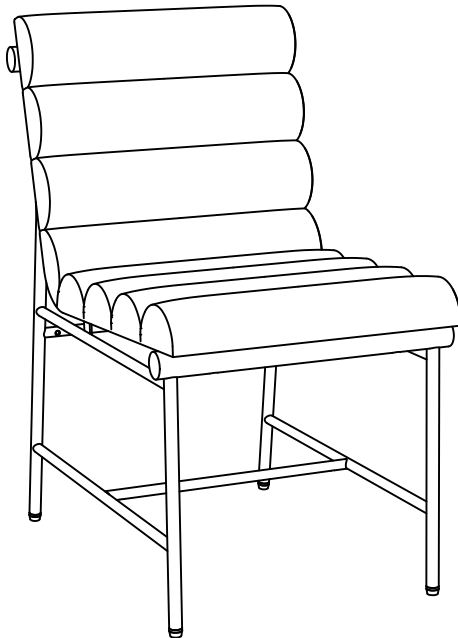
Tighten the bolts to 80% tightness.

4



Tighten the bolts to 80% tightness.

5



Adjust the chair so that it is leveled, then fully tighten all the bolts.