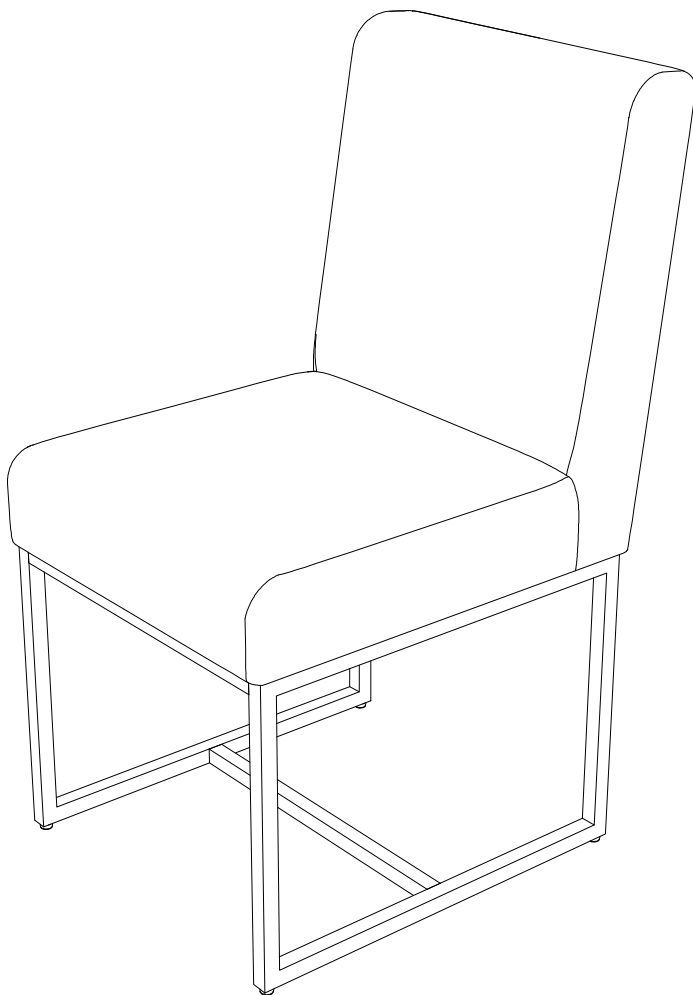
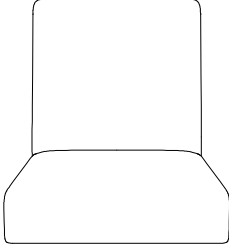




ASSEMBLY INSTRUCTION

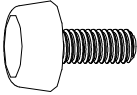
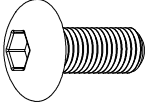
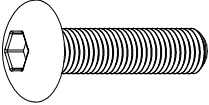

TN-1488



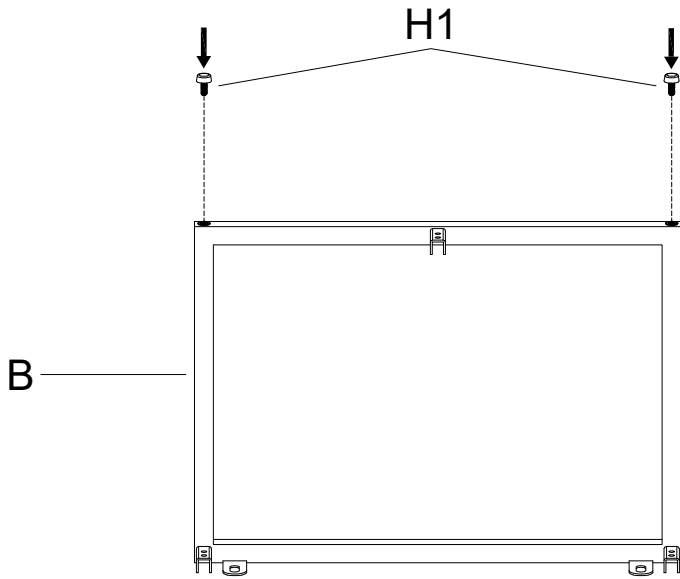
Component List

LABEL		DESCRIPTION	QTY
A		Arm	1
B		Leg	2
C		Cross	3

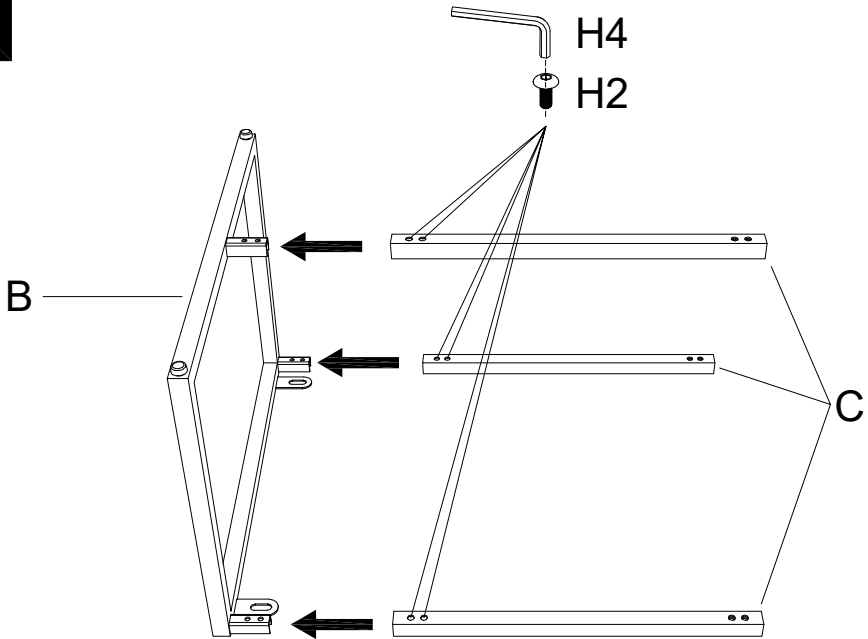
Hardware List

LABEL		DESCRIPTION	QTY
H1		SHACKLES	4
H2		SCREW M6×15mm	12
H3		SCREW M6×25mm	4
H4		Allen key M6	1

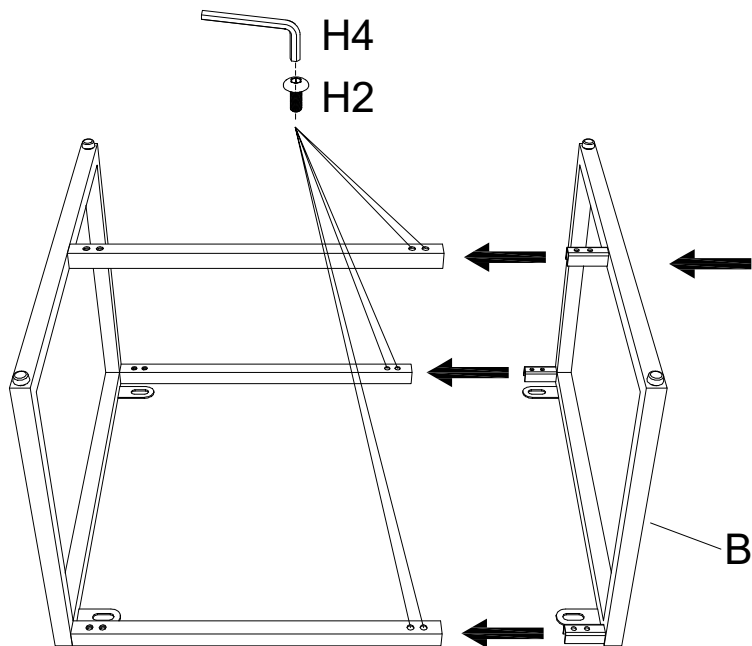
1



2



3



4

