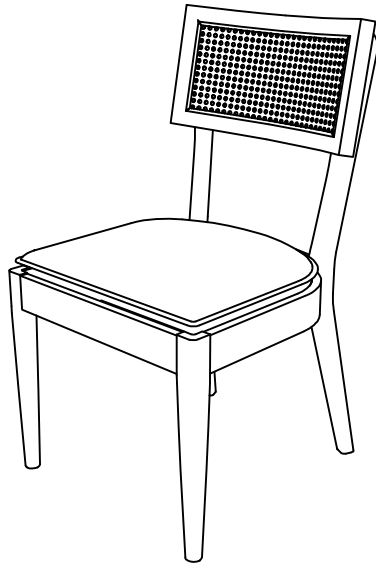


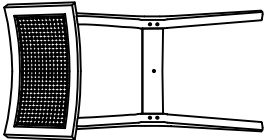
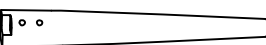


# ASSEMBLY INSTRUCTION


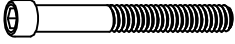
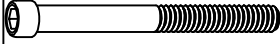



Dining chair  
TN-1821



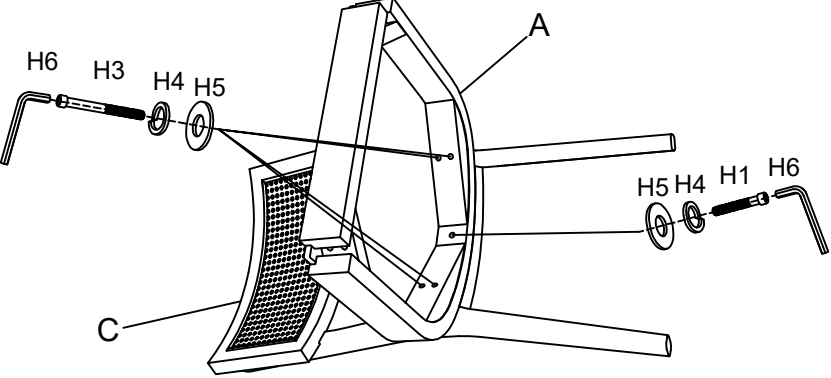
## Component List

LABEL		DESCRIPTION	QTY
A		Seat	1
B		Seat cushion	1
C		Back	1
D		Front leg	2

## Hardware List

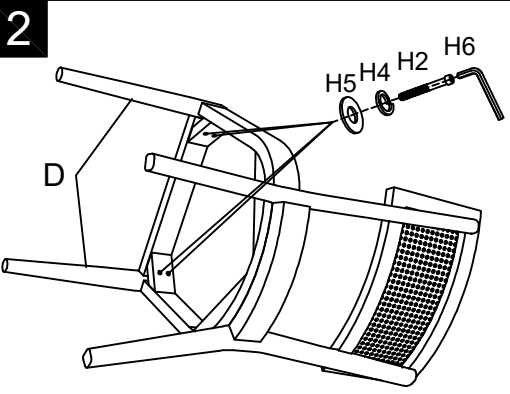
LABEL		DESCRIPTION	QTY
H1		Bolts M8×50mm	1
H2		Bolts M8×70mm	4
H3		Bolts M8×85mm	4
H4		Spring washer M8	9
H5		Flat washer M8×22×1.5mm	9
H6		Allen key M8	1

**1**



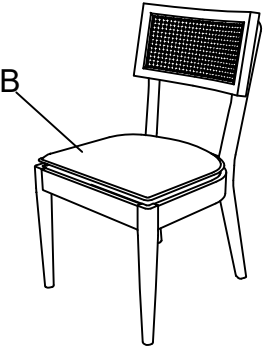
Tighten the bolts to 80% tightness.

**2**



Tighten the bolts to 80% tightness.

**3**



Adjust the chair so that it is leveled, then fully tighten all the bolts.