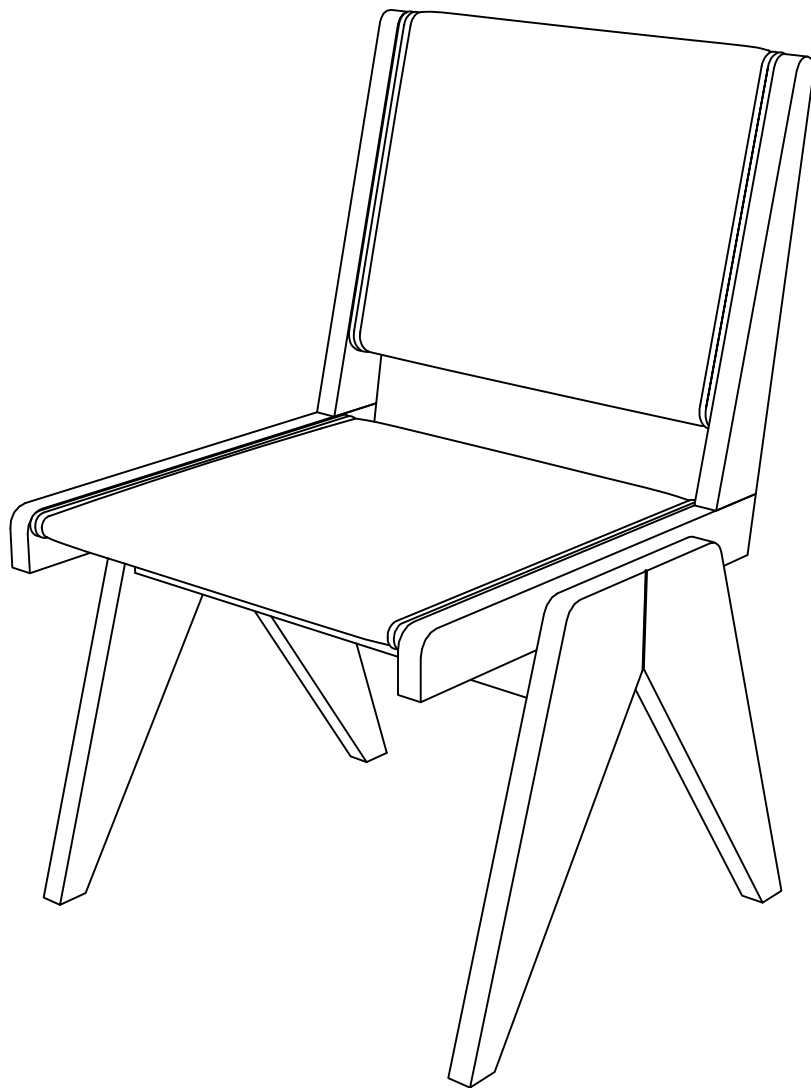


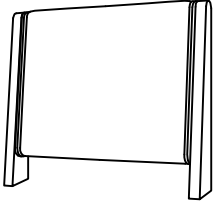
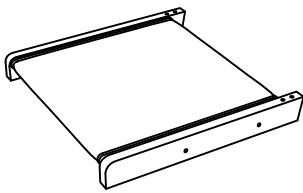
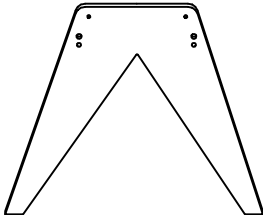
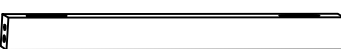
ASSEMBLY INSTRUCTION

Dining chair

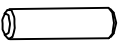




TN-1861



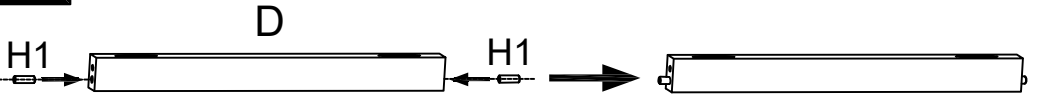
Component List

LABEL		DESCRIPTION	QTY
A		Back	1
B		Seat	1
C		Leg	2
D		Wood cross	2

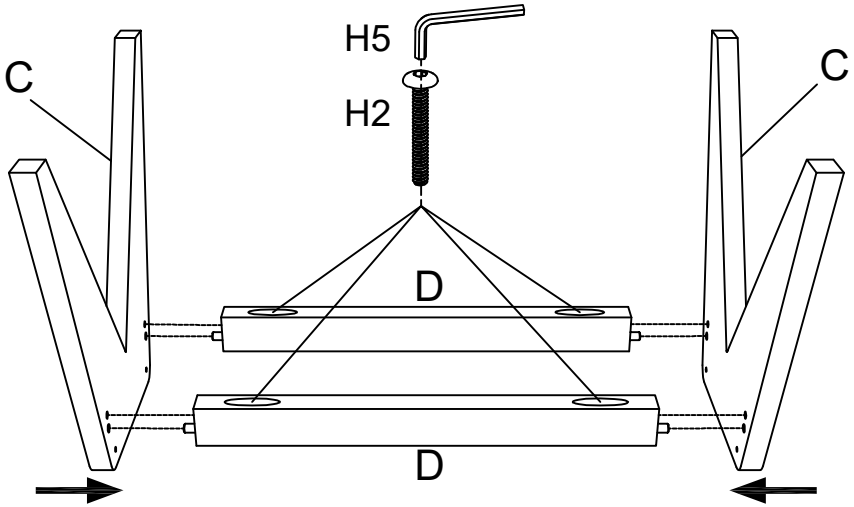
Hardware List

LABEL		DESCRIPTION	QTY
H1		Dowel M10×40mm	4
H2		Blots M6×50mm	4
H3		Blots M6×60mm	4
H4		Blots M6×35mm	4
H5		Allen key M6	1

1

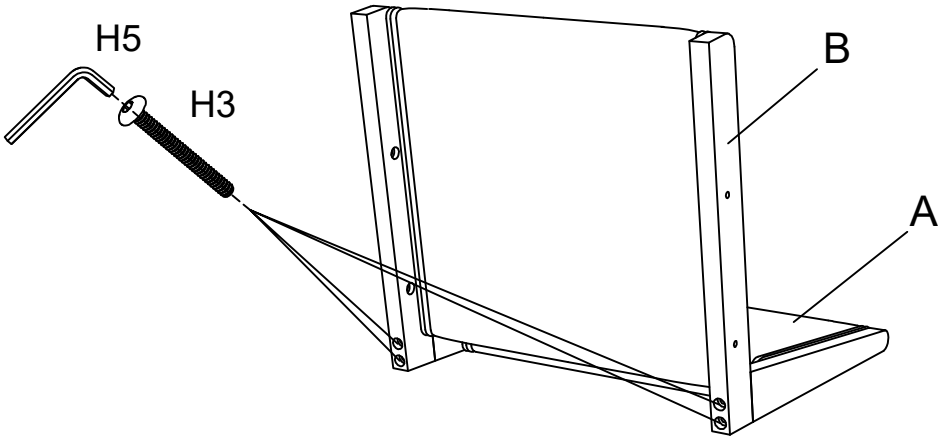


2



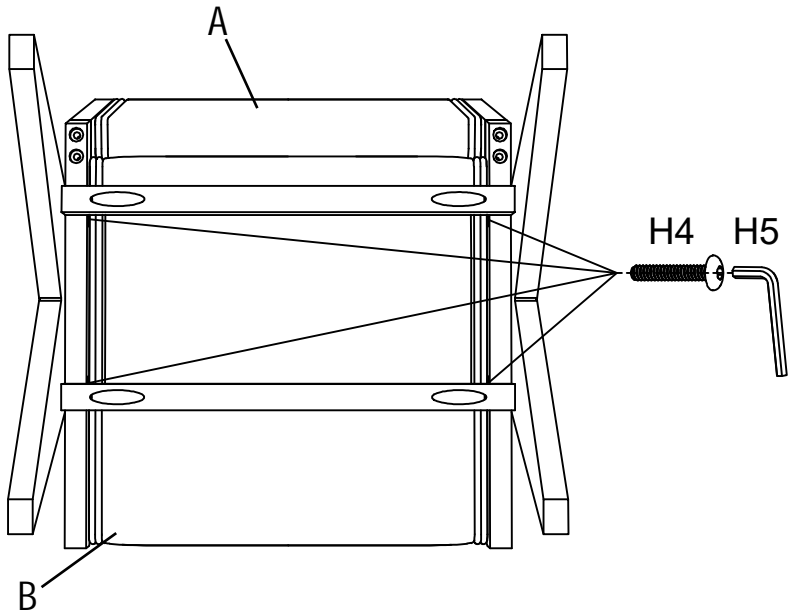
Tighten the bolts to 80% tightness.

3



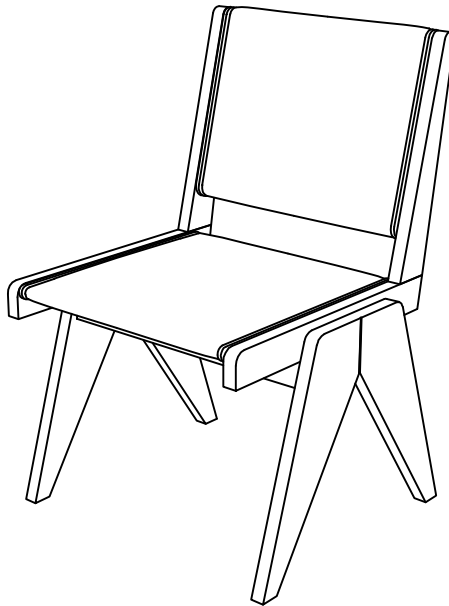
Tighten the bolts to 80% tightness.

4



Tighten the bolts to 80% tightness.

5



Adjust the chair so that it is leveled, then fully tighten all the bolts.