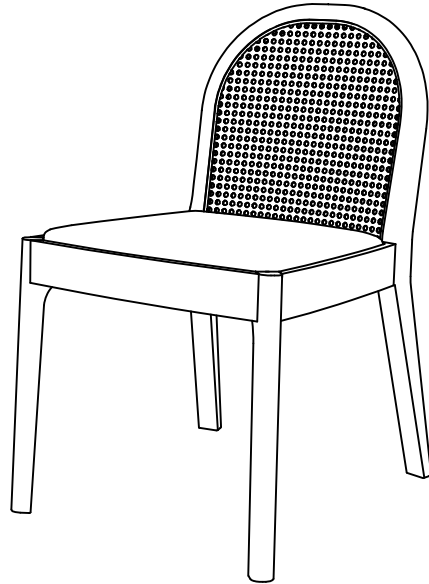
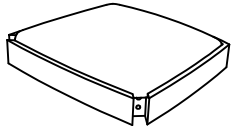
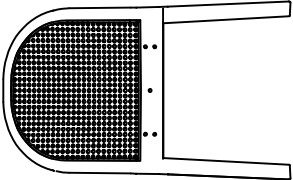



ASSEMBLY INSTRUCTION







Dining chair
TN-1866



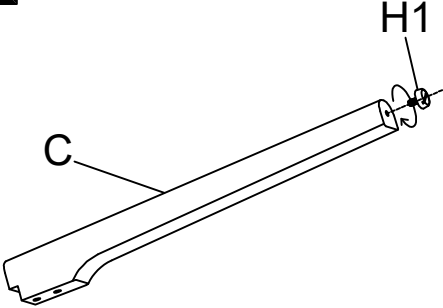
Component List

LABEL	DESCRIPTION	QTY
A	 Seat	1
B	 Back	1
C	 Front leg	2

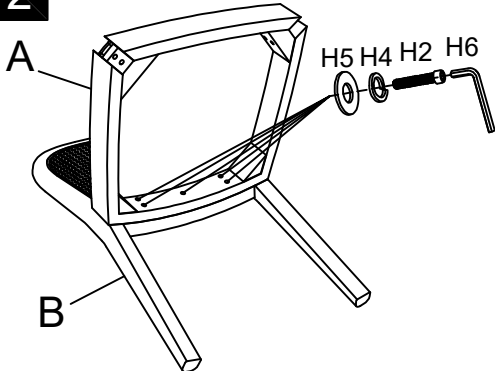
Hardware List

LABEL	DESCRIPTION	QTY
H1	 Adjust gliders M6×14mm	2
H2	 Bolts M8×50mm	5
H3	 Bolts M8×65mm	4
H4	 Spring washer M8	9
H5	 Flat washer M8×22×1.5mm	9
H6	 Allen key M8	1

1

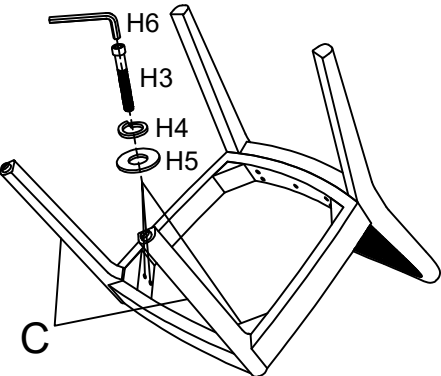


2



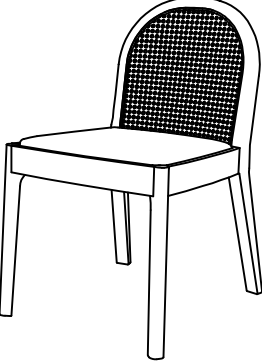
Tighten the bolts to 80% tightness.

3



Tighten the bolts to 80% tightness.

4



Adjust the chair so that it is leveled, then fully tighten all the bolts.