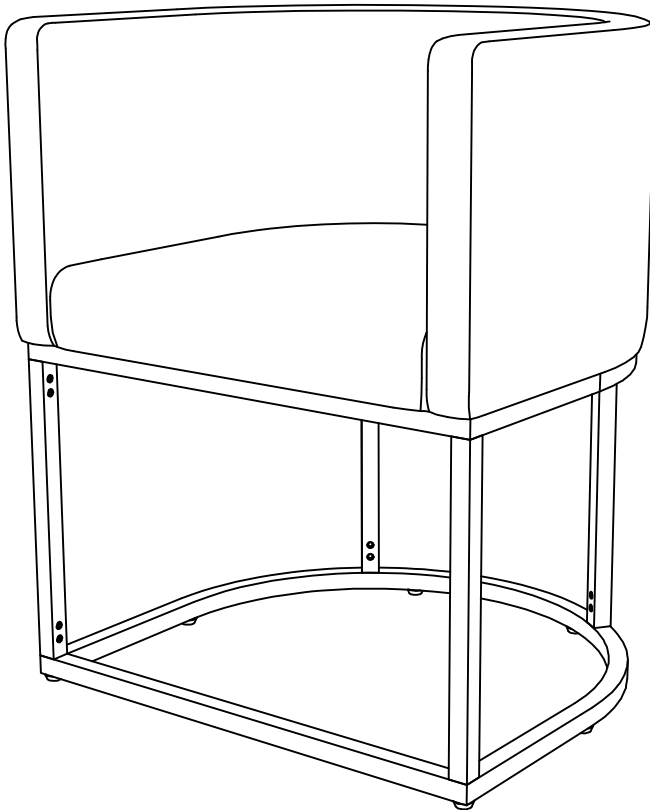
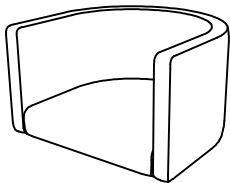
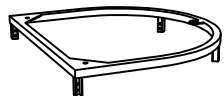
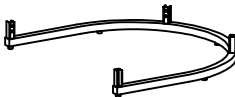
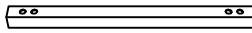


ASSEMBLY INSTRUCTION

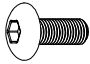
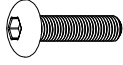



Dining chair
TN-1869

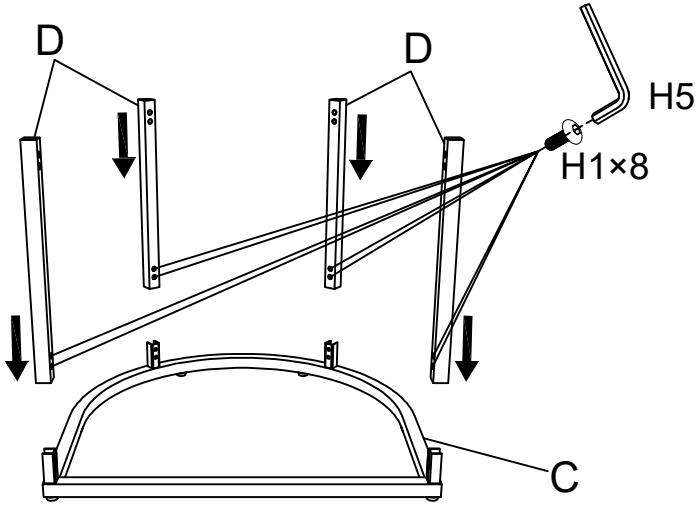


Component List

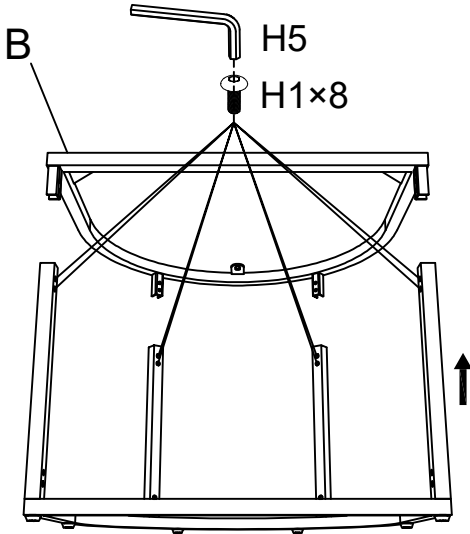
LABEL		DESCRIPTION	QTY
A		Seat	1
B		Top frame	1
C		Bottom frame	1
D		Cross bar	4

Hardware List

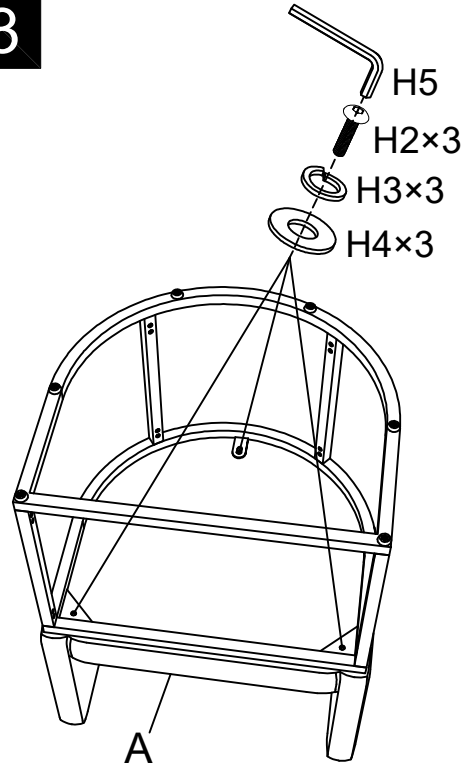
LABEL		DESCRIPTION	QTY
H1		Bolts M6×15mm	20
H2		Bolts M6×25mm	3
H3		Spring washer M8	3
H4		Flat washer M8×22×1.5mm	3
H5		Allen key M6	1

1

Tighten the bolts to 80% tightness.

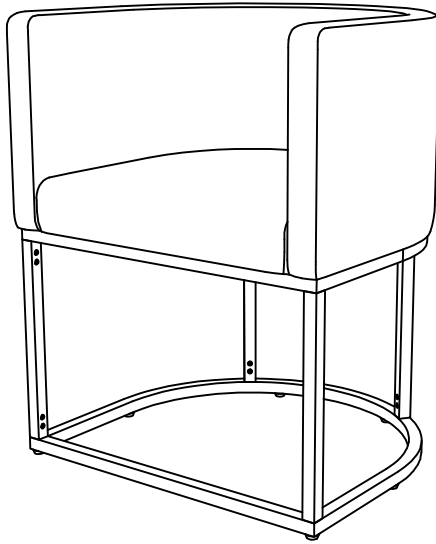
2

Tighten the bolts to 80% tightness.

3

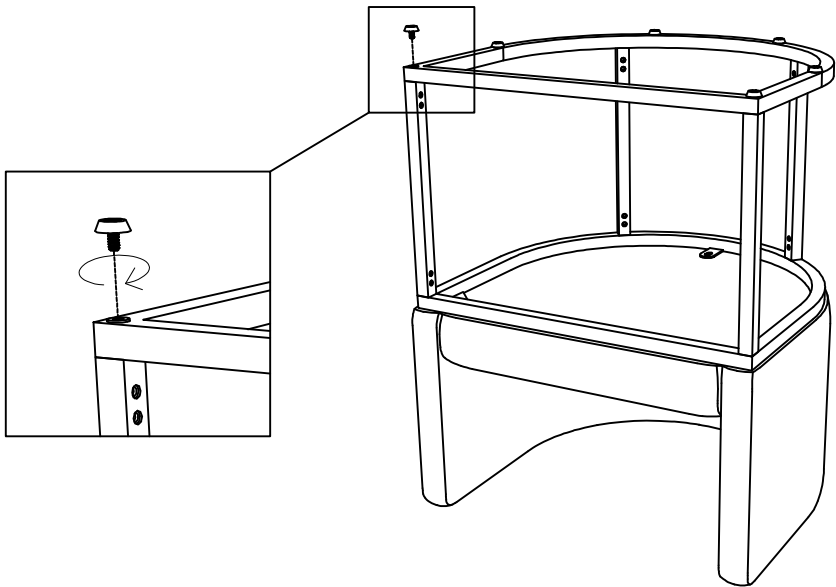
Tighten the bolts to 80% tightness.

4



Adjust the chair so that it is leveled, then fully tighten all the bolts.

5



When needed, adjust the height of feet glides to help level the chair.