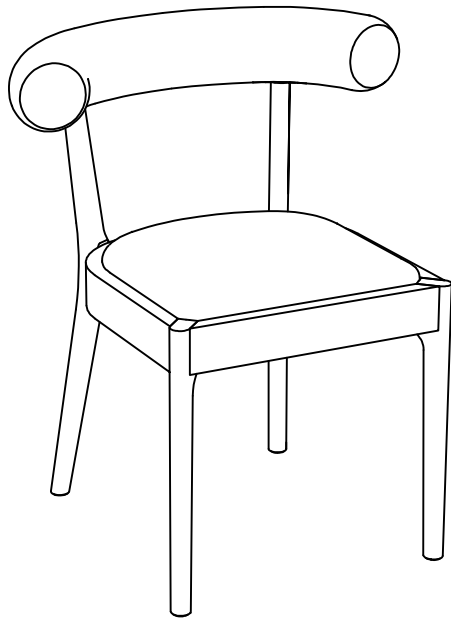
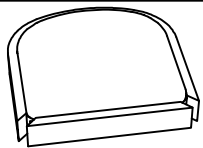

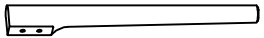



ASSEMBLY INSTRUCTION

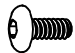

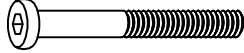


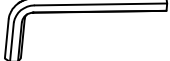
Dining chair
TN-1929



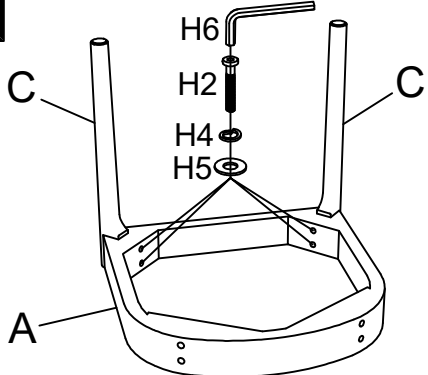
Component List

LABEL	DESCRIPTION	QTY
A	 Seat	1
B	 Back	1
C	 Front leg	2
D	 Back leg	2

Hardware List

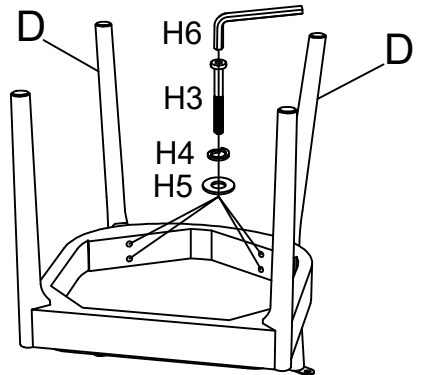
LABEL	DESCRIPTION	QTY
H1	 Bolts M6×30mm	4
H2	 Bolts M8×65mm	4
H3	 Bolts M8×90mm	4
H4	 Spring washer M8	8
H5	 Flat washer M8×22×1.5mm	8
H6	 Allen key M6	1

1



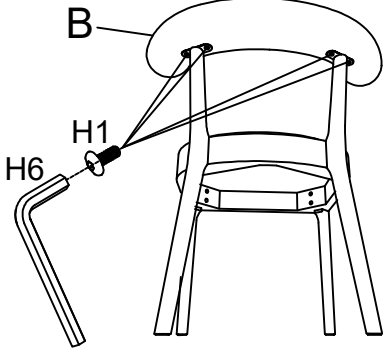
Tighten the bolts to 80% tightness.

2



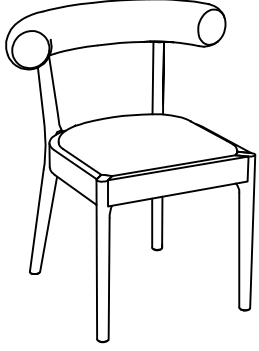
Tighten the bolts to 80% tightness.

3



Tighten the bolts to 80% tightness.

4



Adjust the chair so that it is leveled, then fully tighten all the bolts.