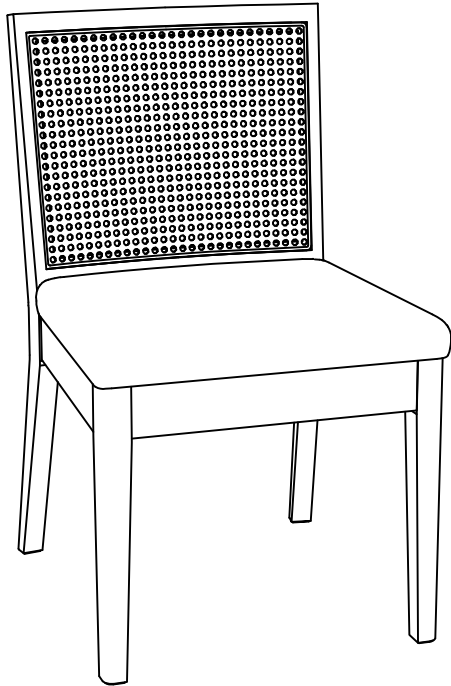
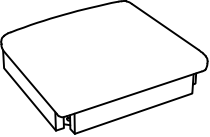
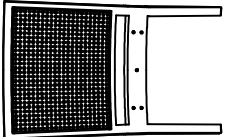
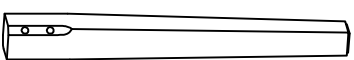


ASSEMBLY INSTRUCTION


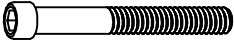



Dining chair
TN-1932



Component List

LABEL	DESCRIPTION	QTY
A	 Seat	1
B	 Back	1
C	 Front leg	2

Hardware List

LABEL	DESCRIPTION	QTY
H1	 Bolts M8×55mm	5
H2	 Bolts M8×65mm	4
H3	 Spring washer M8	9
H4	 Flat washer M8×22×1.5mm	9
H5	 Allen key M8	1

