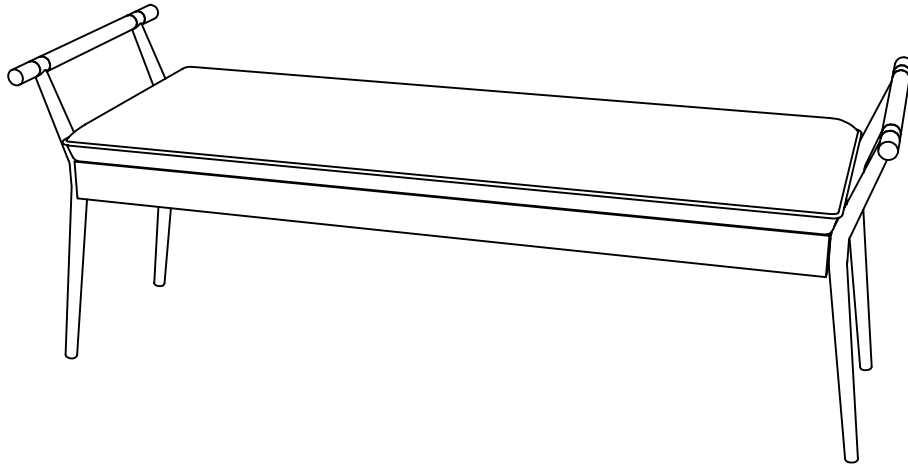



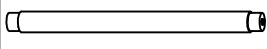
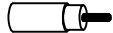


ASSEMBLY INSTRUCTION

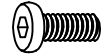

Bench
TN-2465



Component List

LABEL		DESCRIPTION	QTY
A		Seat	1
B		Leg	2
C		Leg	2
D		Cross bar	2
E		Cross bar	4

Hardware List

LABEL		DESCRIPTION	QTY
H1		Bolts M6×20mm	12
H2		Allen key M6	1

