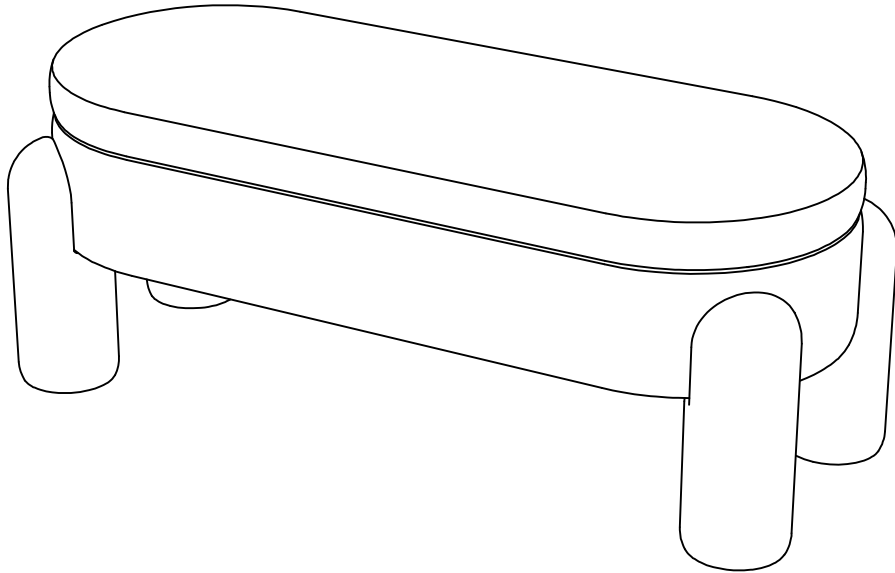
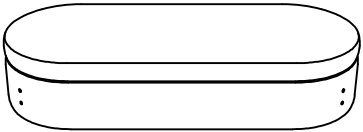
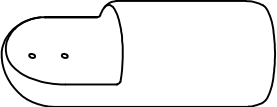


ASSEMBLY INSTRUCTION





Storage bench
TN-2566



Component List

LABEL		DESCRIPTION	QTY
A		Seat	1
B		Leg	4

Hardware List

LABEL		DESCRIPTION	QTY
H1		Bolts M8×55mm	8
H2		Spring washer M8	8
H3		Flat washer M8×22×1.5mm	8
H4		Allen key M6	1

