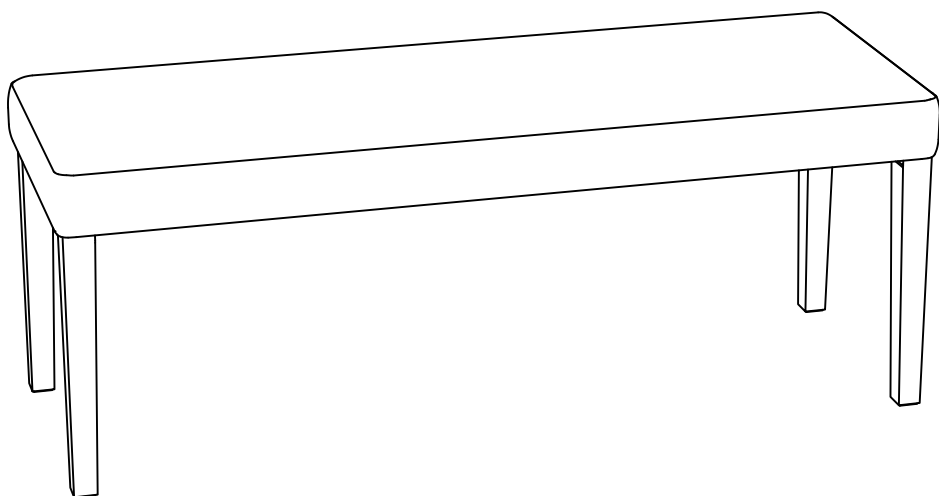
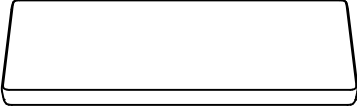
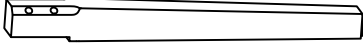


ASSEMBLY INSTRUCTION





Bench
TN-2586



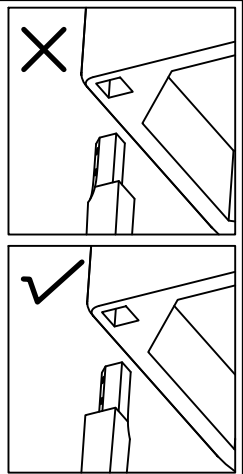
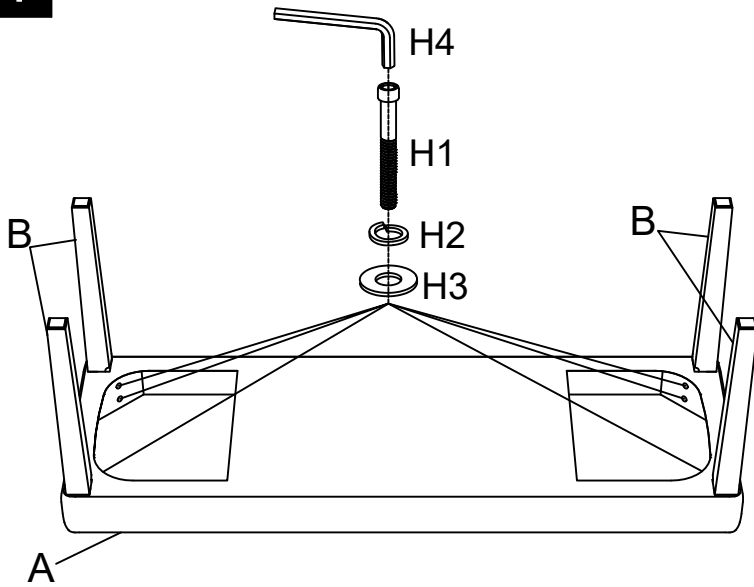
Component List

LABEL		DESCRIPTION	QTY
A		Seat	1
B		Leg	4

Hardware List

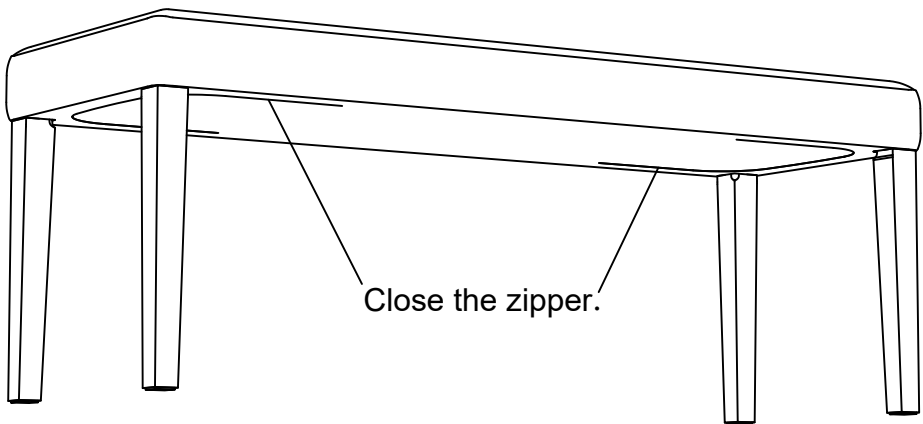
LABEL		DESCRIPTION	QTY
H1		Bolts M8×65mm	8
H2		Spring washer M8	8
H3		Flat washer M8×22×1.5mm	8
H4		Allen key M8	1

1



Tighten the bolts to 80% tightness.

2



Adjust the chair so that it is leveled, then fully tighten all the bolts.