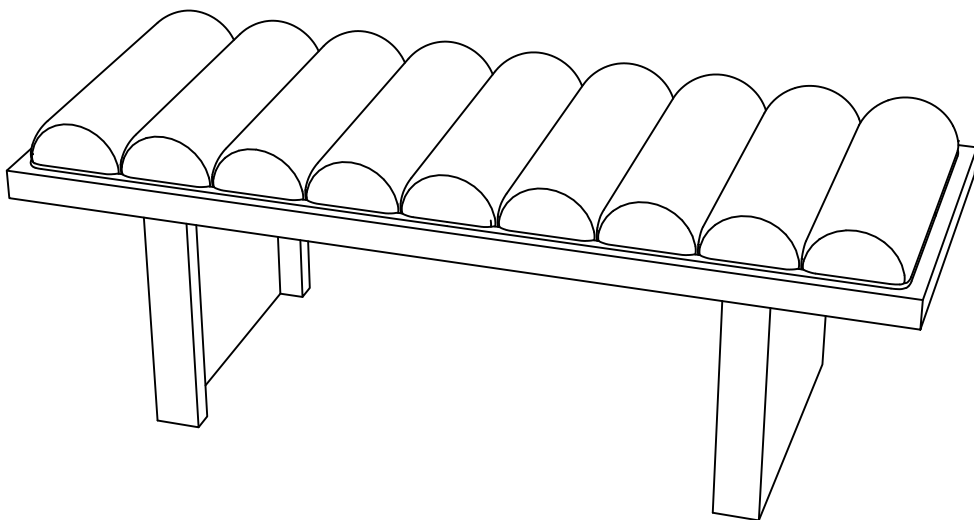
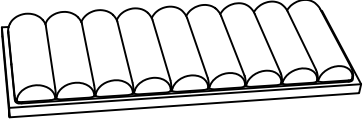
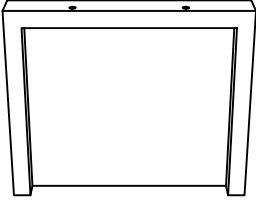


ASSEMBLY INSTRUCTION



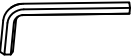
Bench
TN-2639



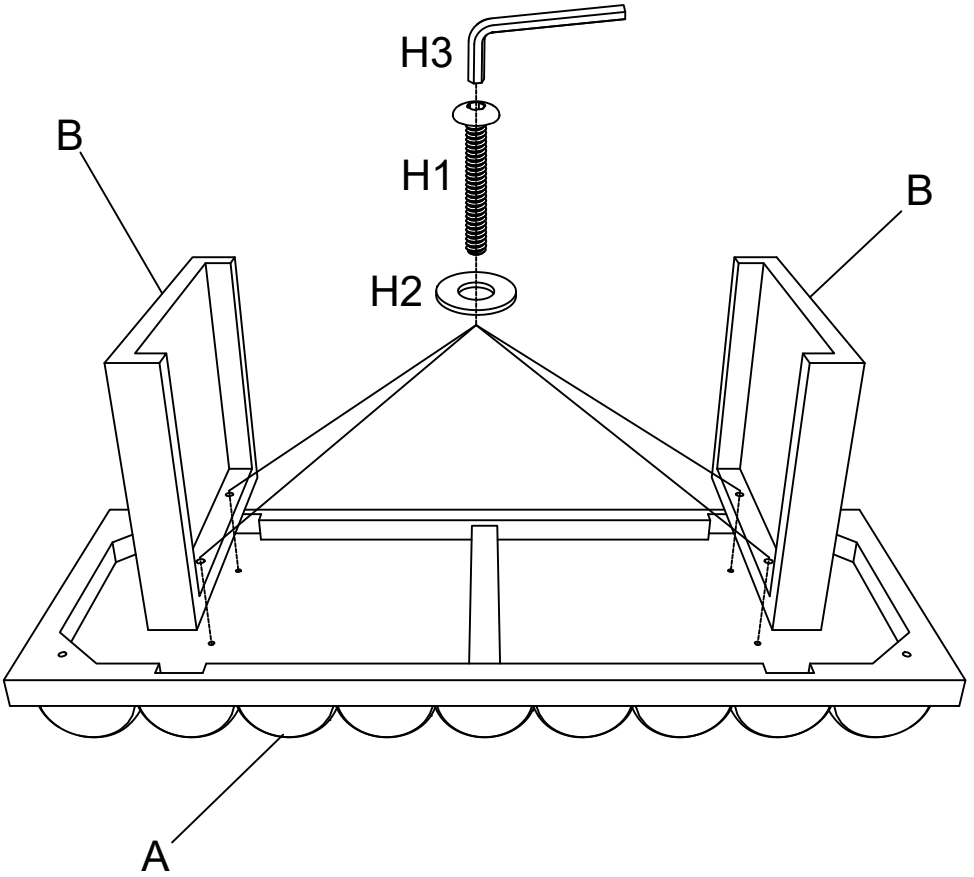
Component List

LABEL		DESCRIPTION	QTY
A		Seat	1
B		Leg	2

Hardware List

LABEL		DESCRIPTION	QTY
H1		Bolts M6×45mm	4
H2		Flat washer M8×22×1.5mm	4
H3		Allen key M6	1

1



Fully tighten all the bolts.