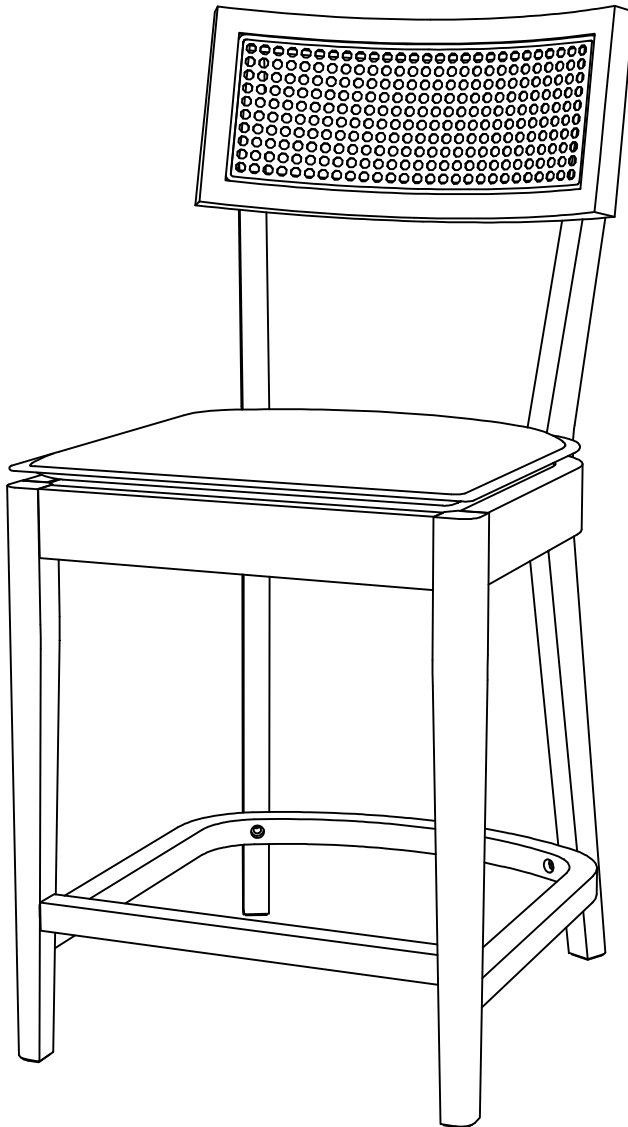
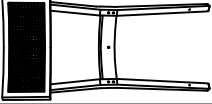


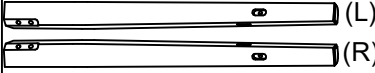
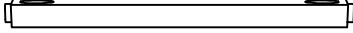
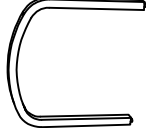


ASSEMBLY INSTRUCTION

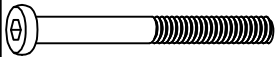
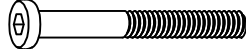






Counter chair
TN-5674L

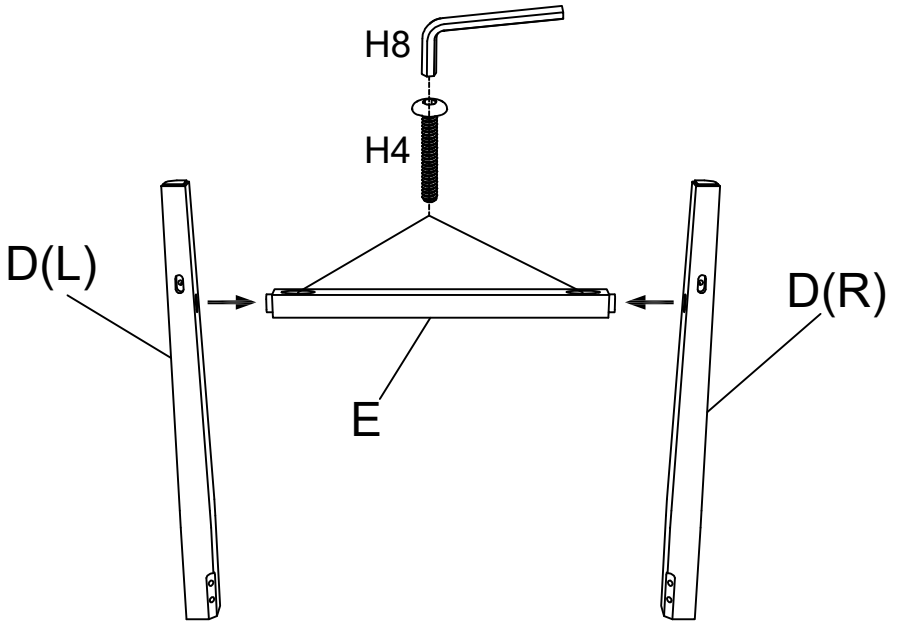


Component List

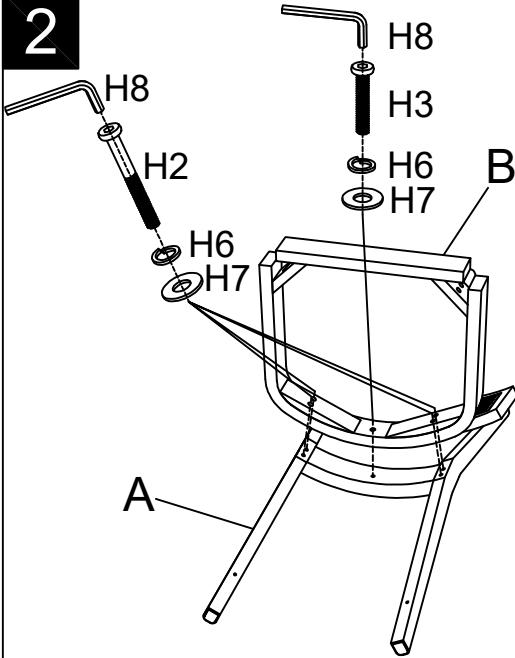
LABEL		DESCRIPTION	QTY
A		Back	1
B		Seat	1
C		Seat cushion	1
D		Front leg	2
E		Front footrest	1
F		Foot rest	1

Hardware List

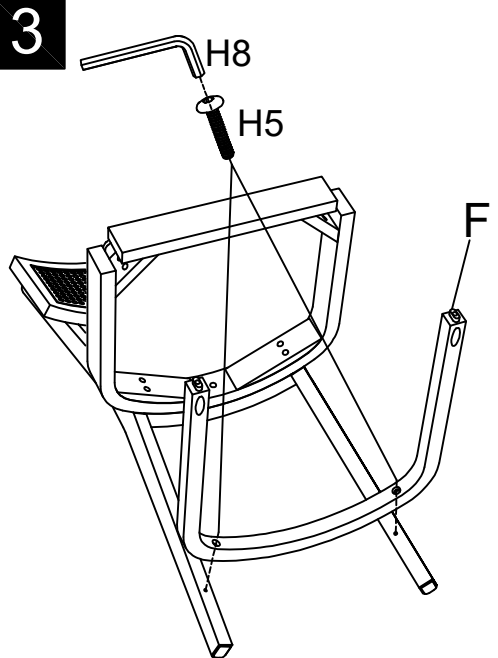
LABEL		DESCRIPTION	QTY
H1		Blots M8×80mm	4
H2		Blots M8×70mm	4
H3		Blots M8×50mm	1
H4		Blots M6×50mm	4
H5		Blots M6×40mm	2
H6		Spring washer M8	9
H7		Flat washer M8×22×1.5mm	9
H8		Allen key M6	1

1

Tighten the bolts to 80% tightness.

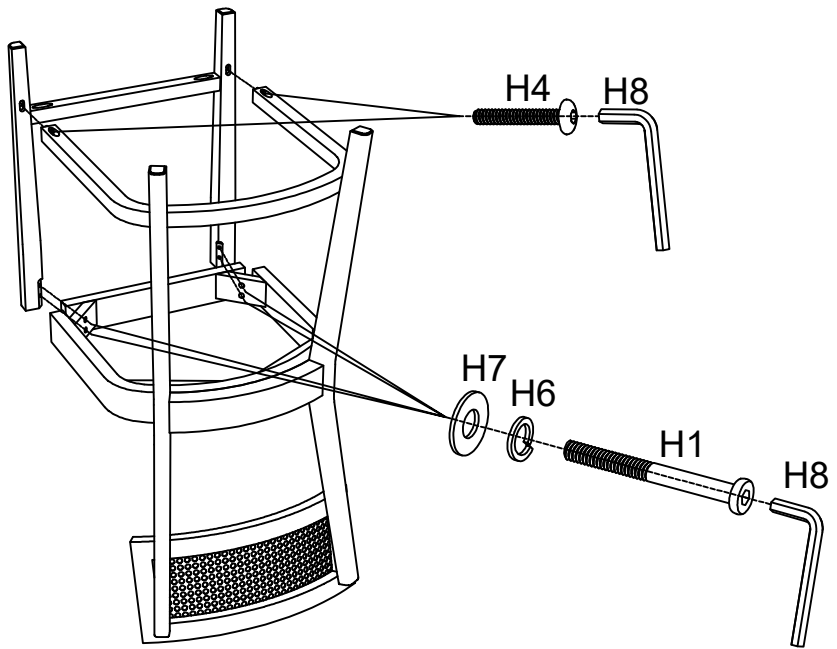
2

Tighten the bolts to 80% tightness.

3

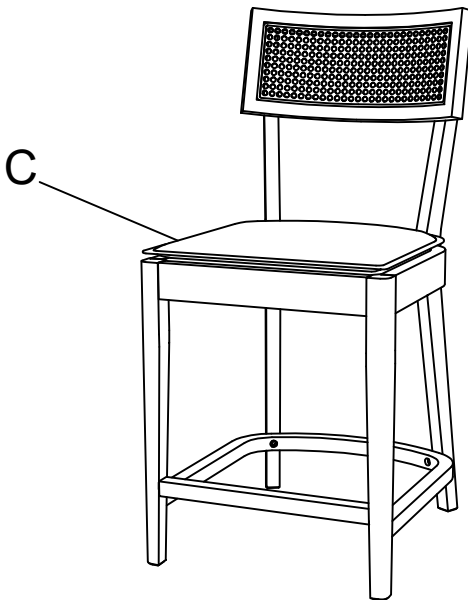
Tighten the bolts to 80% tightness.

4



Tighten the bolts to 80% tightness.

5



Adjust the chair so that it is leveled, then fully tighten all the bolts.