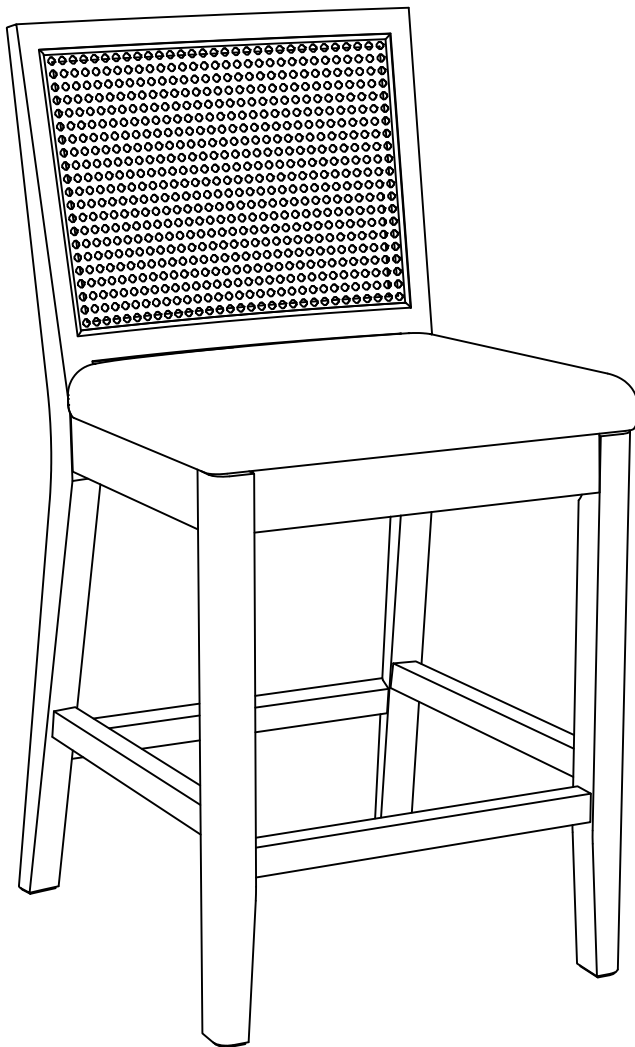
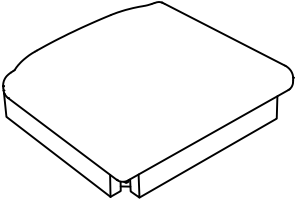
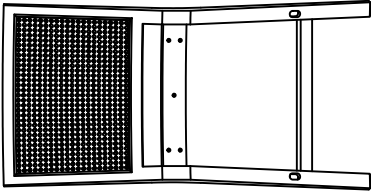
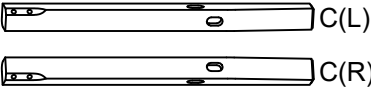
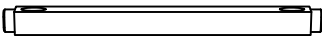
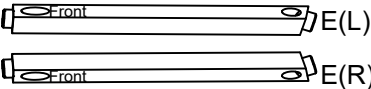


# ASSEMBLY INSTRUCTION







Counter chair  
TN-5802L



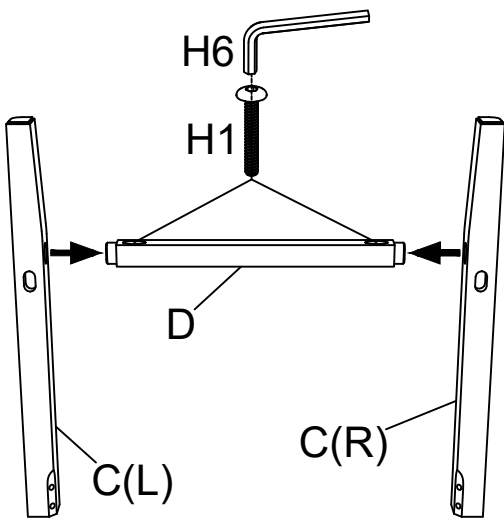
# Component List

LABEL		DESCRIPTION	QTY
A		Seat	1
B		Back	1
C		Front leg	2
D		Front footrest	1
E		Side footrest	2

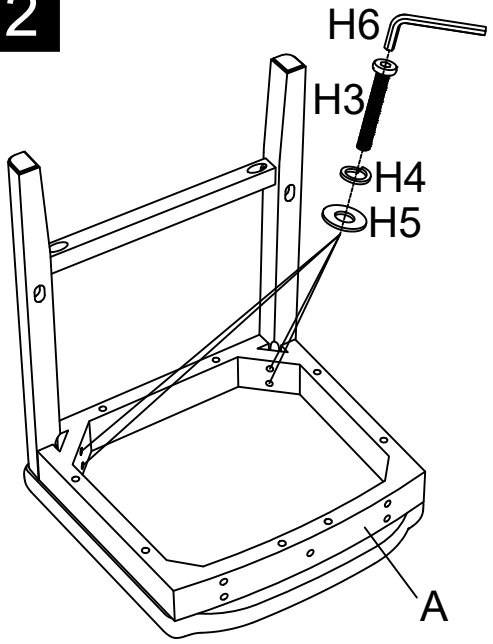
# Hardware List

LABEL		DESCRIPTION	QTY
H1		Bolts M6×50mm	6
H2		Bolts M8×50mm	5
H3		Bolts M8×65mm	4
H4		Spring washer M8	9
H5		Flat washer M8×22×1.5mm	9
H6		Allen key M6	1

1

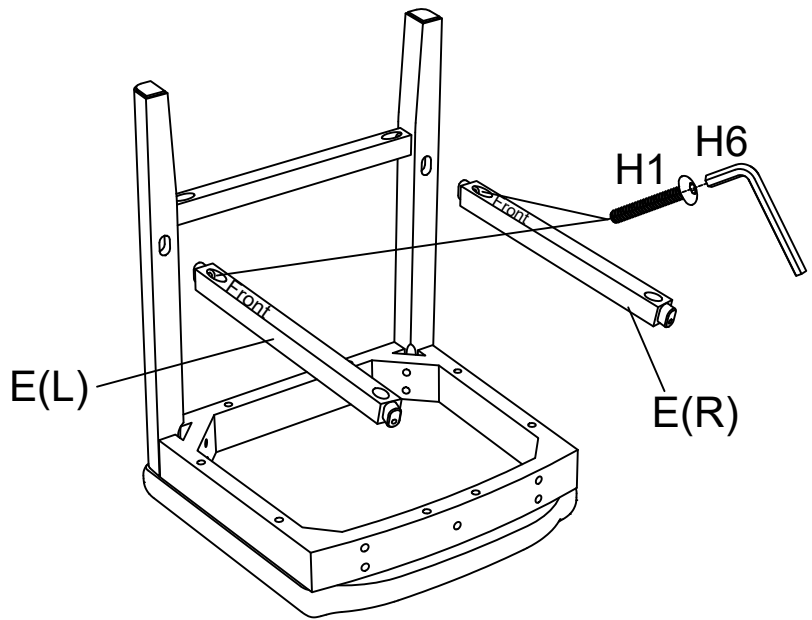


2



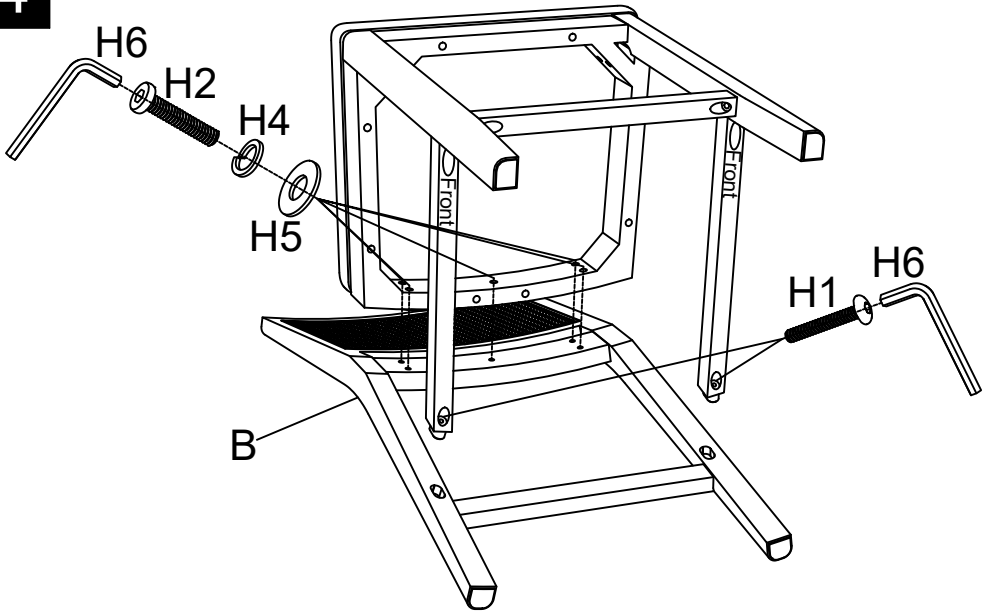
Tighten the bolts to 80% tightness. Tighten the bolts to 80% tightness.

3



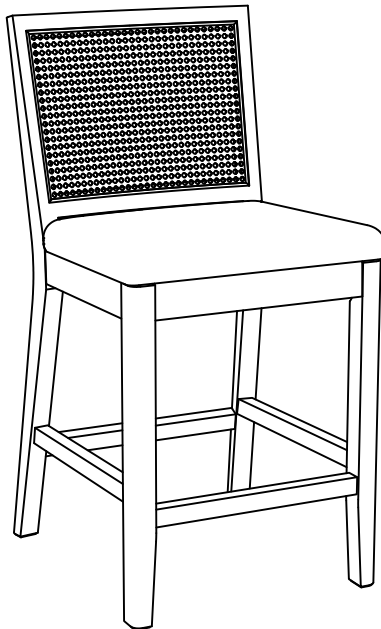
Tighten the bolts to 80% tightness.

4



Tighten the bolts to 80% tightness.

5



Adjust the chair so that it is leveled, then fully tighten all the bolts.