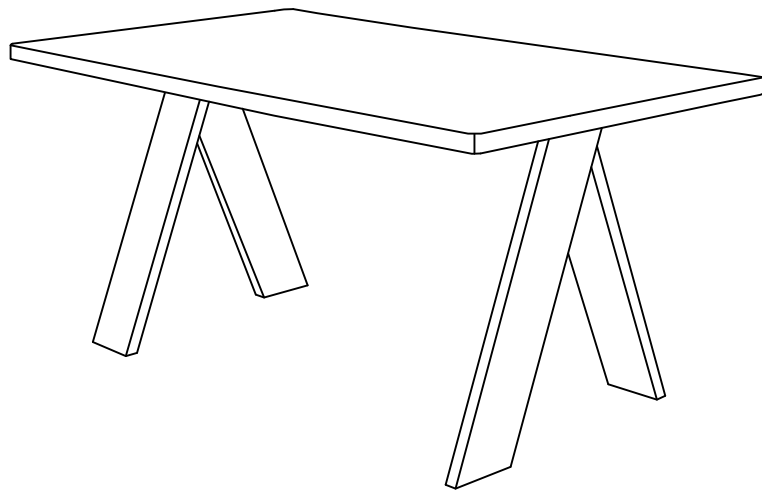

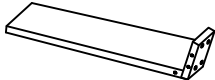

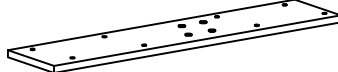


ASSEMBLY INSTRUCTIONS

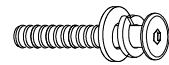
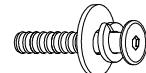


DINING TABLE
 AWEX20091TT-1WWA-301 (TOP)
 AWEX20091TL-1WWA-301 (LEG)



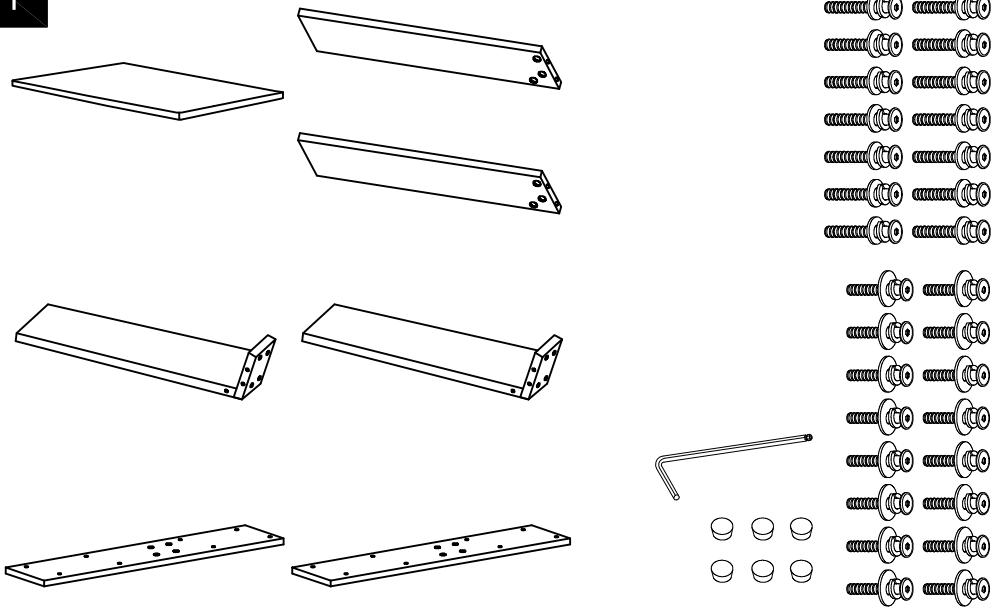
Component List

LABEL		DESCRIPTION	QTY
A		Table top	1
B		Table leg front & back	2
C		Table leg side	2
D		Leg support	2

Hardware List

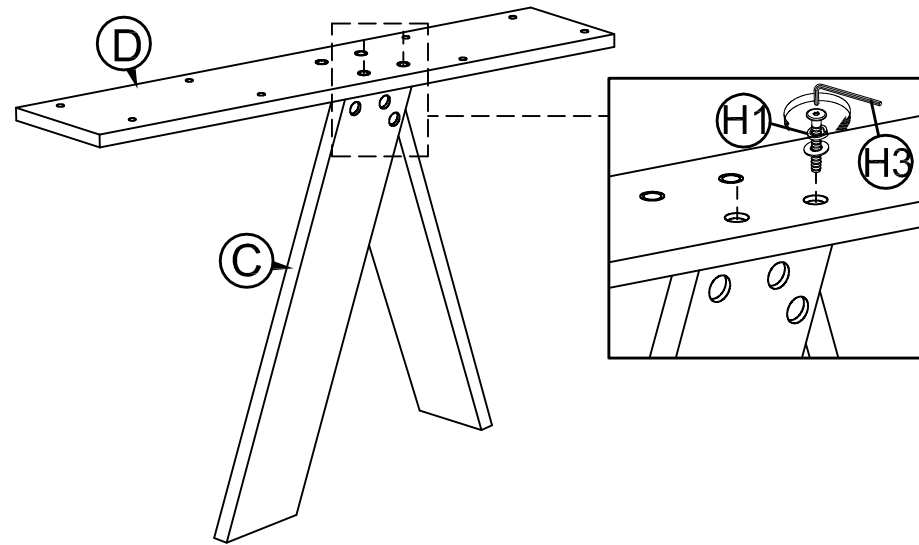
LABEL		DESCRIPTION	QTY
H1		Bolt with Washer M6 x 40mm + SW M6 + FW M6 x 13mm	14
H2		Bolt with Washer M6 x 30mm + SW M6 + FW M6 x 19mm	16
H3		Allen Key M4	1
H4		Wood Button 14.5mm	6

1



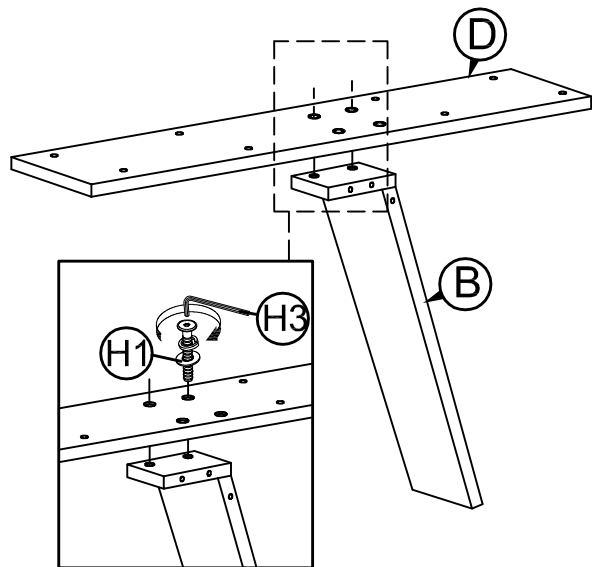
3

Engage the bolts to 80% tightness

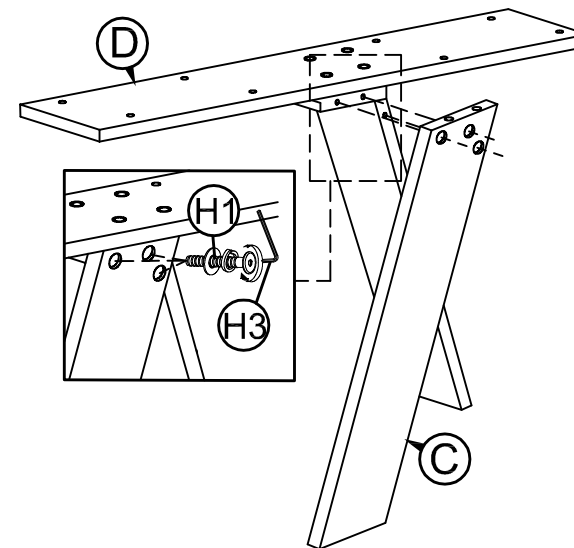


2

Engage the bolts to 80% tightness

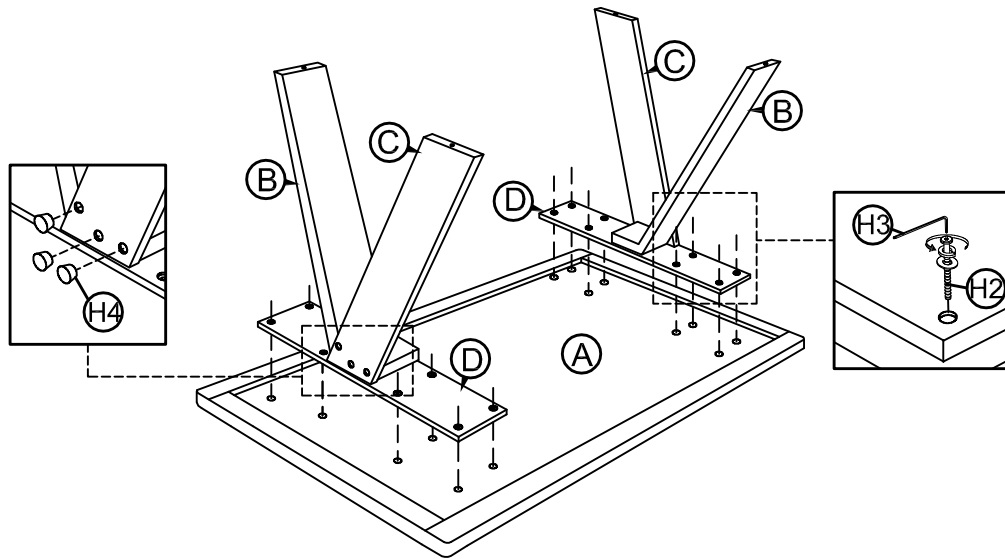


4

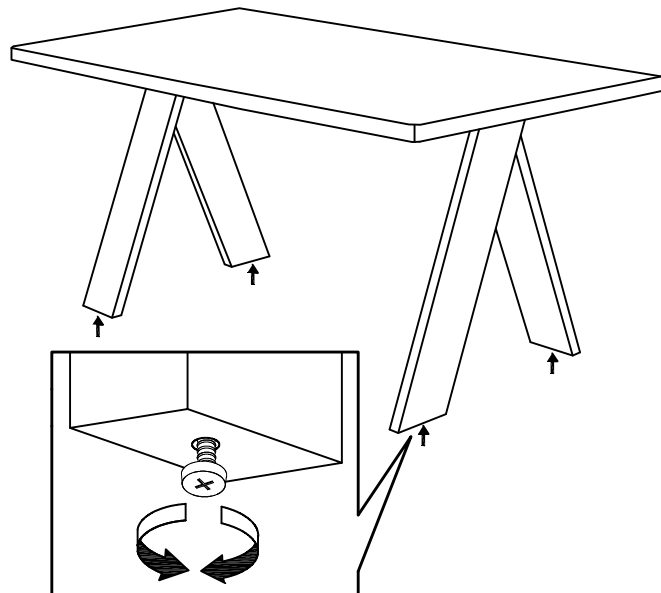


5

Tighten all the bolts



6



Turn clockwise or anti-clockwise
to adjust leg leveller.