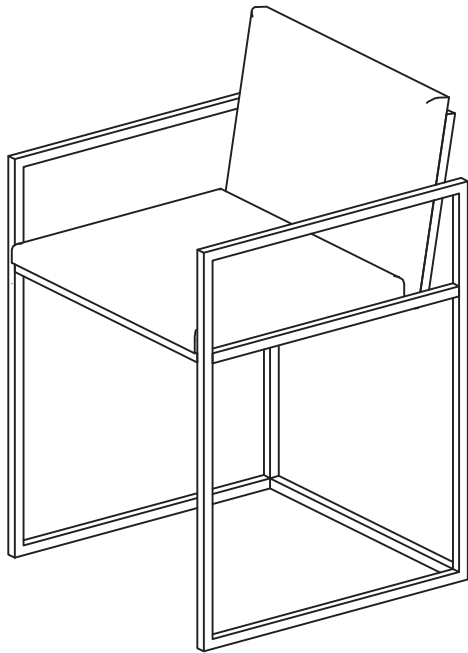

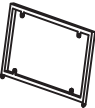


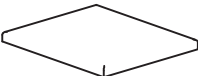
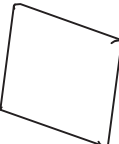





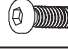


ASSEMBLY INSTRUCTION

Dining Chair XS22226DC

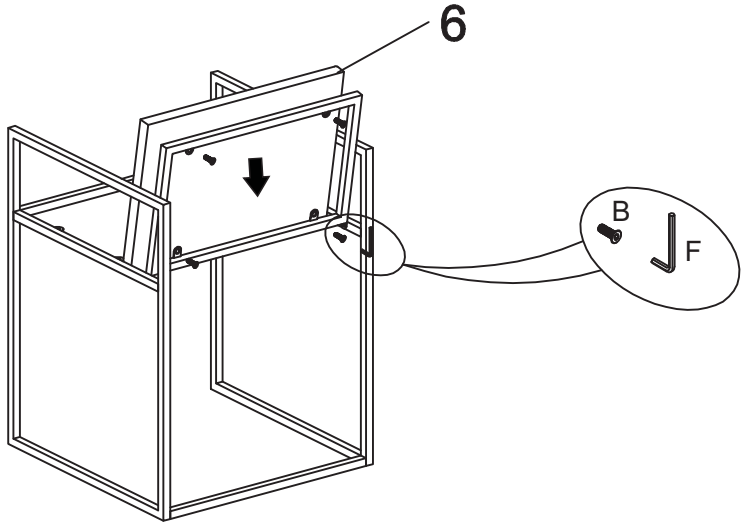


Component List

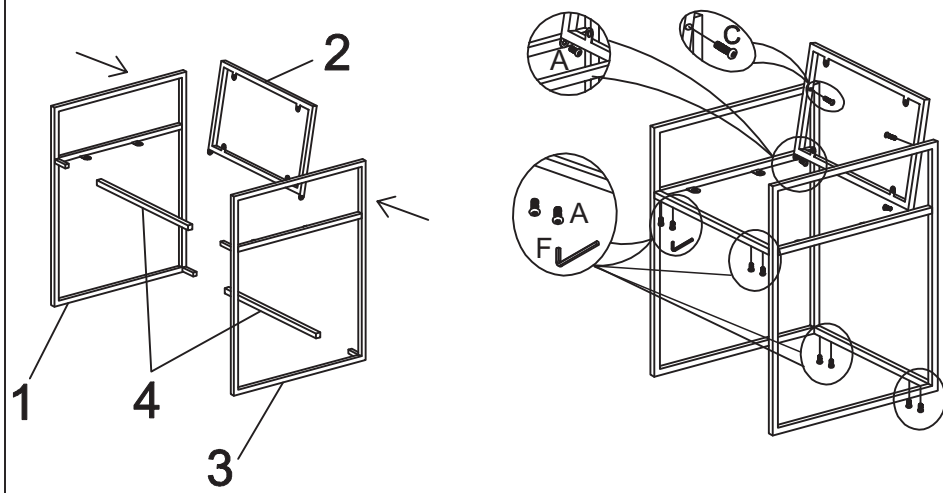
LABEL		DESCRIPTION	QTY
1		Right leg	1
2		Back frame	1
3		Left leg	1
4		Beams	2
5		Seat	1
6		Back	1

Hardware List			
LABEL		DESCRIPTION	QTY
A		Bolt (M6*12mm)	10
B		Bolt (M6*20mm)	4
C		Bolt (M6*25mm)	2
D		Bolt (M6*16mm)	4
E		Screw	4
F		Allen Wrench	1

②



①



③

