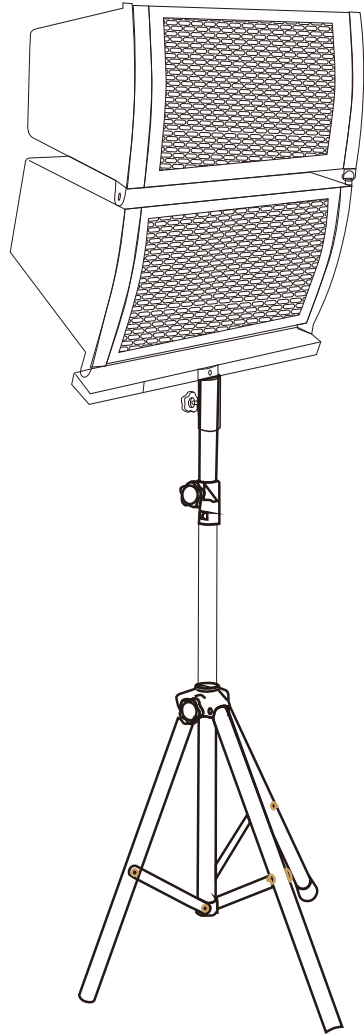
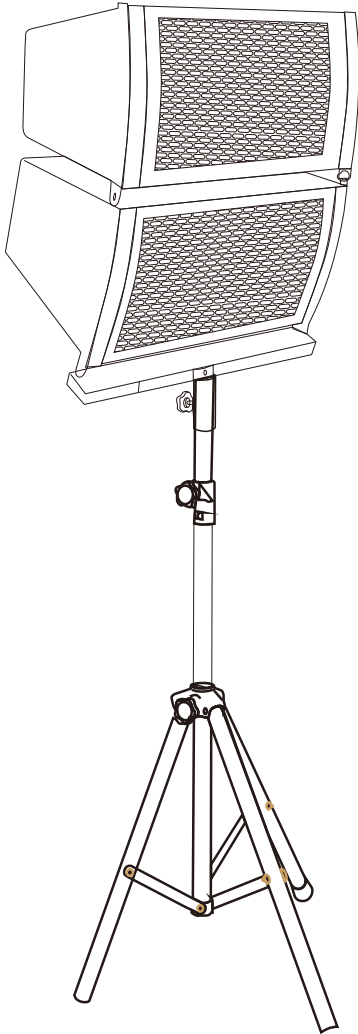




CLUB-4000K

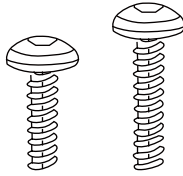
USER MANUAL



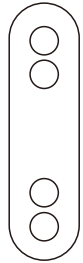
Assembly parts list



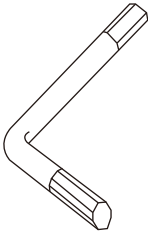
14 x Nuts



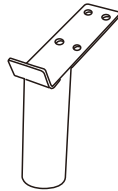
Bolts (m6x12)6pcs
(m6x30)8pcs



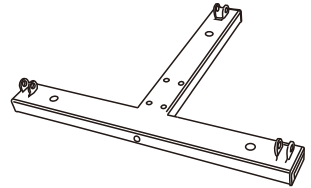
4xboards



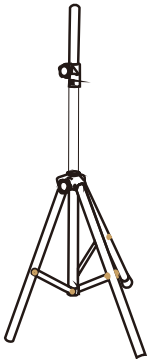
1x Screwdriver



2 x shot connect boards



2 x connect boards



2 x Stands



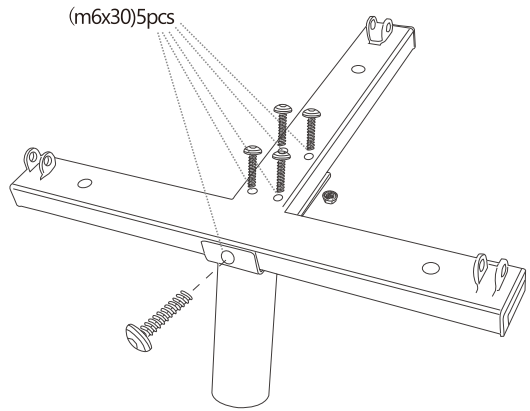
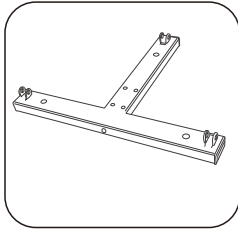
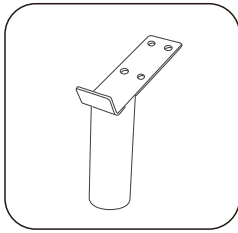
2x6.35mm cable(0.35m)



2x6.35mm cable(6.0m)

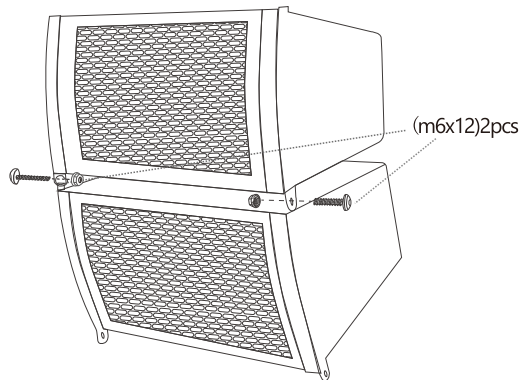
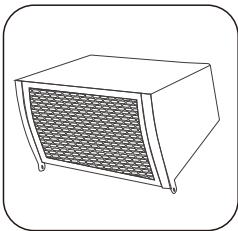
Installation guide

1



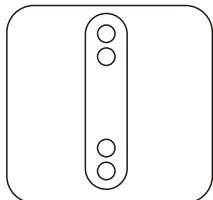
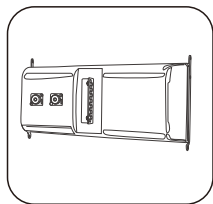
Step 1: Use 5 pcs screws and nuts to fix two connect board.

2

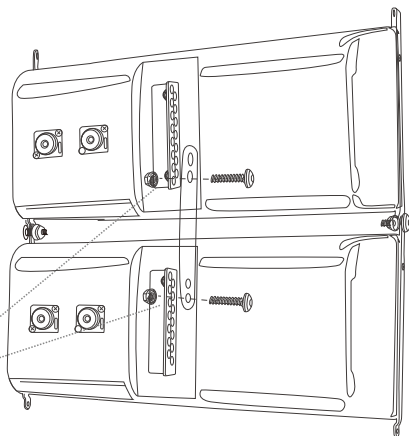


Step 2: fix the 2 array speakers together with 2 screws.

3

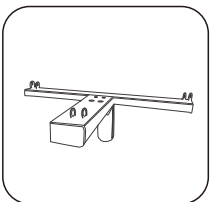
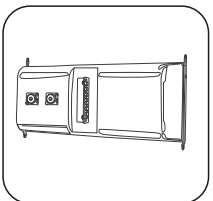


(m6x12)2pcs



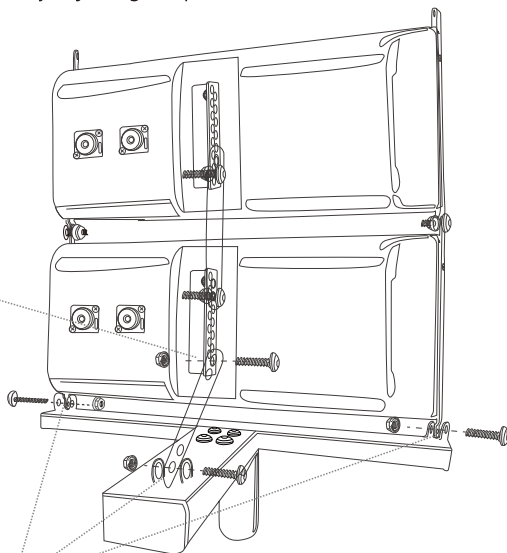
Step 3:secure the 2 array speakers with 2 screws via a connection plate.
You can adjust the angle you want by adjusting the position of the screws.

4



(m6x12)1pcs

(m6x30)3pcs



Step 4: Fix the combination of 2 array speakers on the t-shaped bracket with 4 screws through a connecting plate. You can adjust the angle you want by adjusting the position of the screws.