

## AMIRO SKIN REJUVENATION DEVICE USER MANUAL

\*Thank you for choosing AMIRO.

Illustrations in the user manual of the product, accessories, and user interface are for reference only.

For your safety, please read this manual carefully before use.

Please keep this manual for future reference.

Please include this manual when transferring the product to others.

### **Contents**

1. Product Information
2. Instruction
3. Care Advice
4. Safety Precautions
5. Warranty
6. Malfunctions and Maintenance

## Product Information

### Product description

This product is a multi-polar RF home beauty device ("RF device") designed to improve facial problems experienced by women using RADIO FREQUENCY ("RF"), ELECTRICAL MUSCLE STIMULATION ("EMS"), red light, and infrared light technology.

### Product specifications

- Product name: AMIRO SKIN REJUVENATION DEVICE
- Product model: ARF001
- Product size: 160×38×38mm
- Size of electrode contact surface: 32×32mm
- Rated input: 5V $\overline{=}$  2A
- Lithium battery capacity: 2600mAh

### Product list

AMIRO SKIN REJUVENATION DEVICE×1

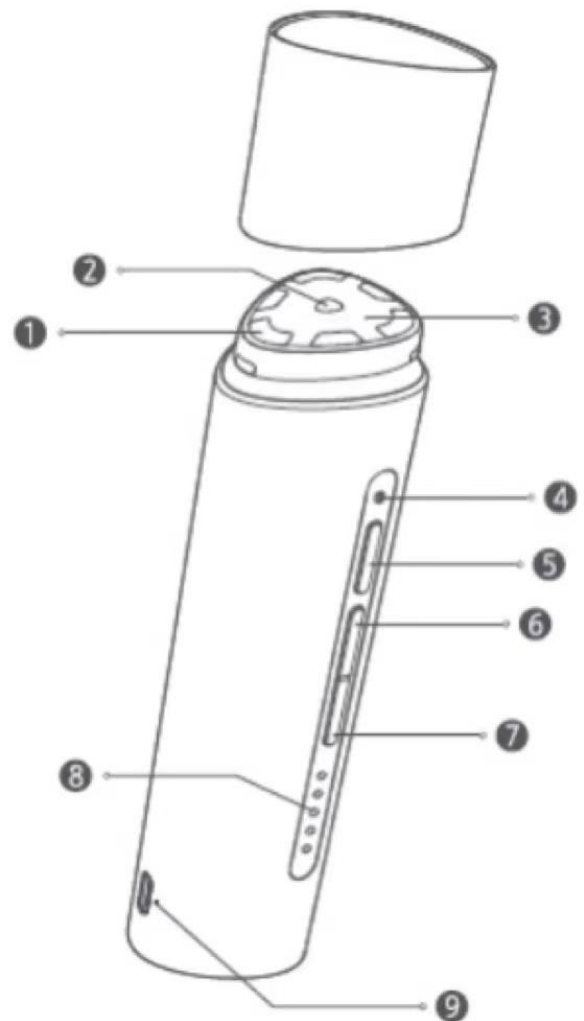
Charging cable×1

User manual x1

## Instruction

### Product illustration

1. Electrodes (6)
2. Temperature sensor
3. LED (internal)
4. Mode indicator
  - Firming and lifting mode (green light)
  - Wrinkle reduction and rejuvenation mode (orange light)
5. Power/mode button
6. Intensity "+" button
7. Intensity "-" button
8. Intensity/power indicator
9. Type-C charging port



### Introduction to Operation

#### 1. Charging

- Insert the Type-C connector of the charging cable completely into the charging port of the device.

- Device is fully charged when all 5 intensity/power indicators are lit up.

- \*\*The device cannot be used when charging.

- \*\*Lay the device down when charging to prevent it tipping over.

## 2. Powering on and off

- When the device is switched off, long press the switch/mode button for 2s to turn on the device. When switched on, device will be in default [Wrinkle smoothing and rejuvenation mode].

- The device will automatically turn off if no operation and no contact with skin is made within 60 seconds after being powered on.

- Long press the switch/mode button for 2s to power off the device.

## 3. Switching modes

- When power is on, short press the switch/mode button to switch between [Firming and lifting mode] in green and [Wrinkle smoothing and rejuvenation mode] in orange.

## 4. Selecting intensity

- The device's default intensity is 1 (1 light) when first powered on; it remembers the last intensity used when it is next powered on.

- After powering on the device, short press the "+" button to increase intensity and the "-" button to decrease intensity.

- The highest intensity is 5 (5 lights) and lowest is 1 (1 light).

#### 5. Power indicator

- The device does not display remaining power when powered on or in use.
- Short press the switch/mode button to check the intensity/power indicator to see remaining power when the device is powered off. 5 lights indicate the highest power level and 1 light indicates the lowest.

#### 6. Low battery and power shortage warnings

- In powered on or standby states, the corresponding indicator will keep flashing when power is low. Please charge regularly to ensure smooth use.
- When powered off, if the device cannot be turned on by long pressing the switch/mode button and the 1st intensity indicator flashes 5 times then goes off, power is low. Please charge regularly to ensure smooth use.

#### Care Advice

- [Firming and lifting mode]:

It is recommended to use once every 2 days.

- [Wrinkle reduction and rejuvenation mode]:

It is recommended to use once every 2 days.

- For both modes, apply on the face in this order: Left cheek, right cheek, forehead.
- Please use this device together with water-based skin care products such as gels, serums, or masks.

## Treatment steps

### Step 1: Makeup removal and cleansing

- Remove makeup and cleanse your face to ensure your skin is clean.

### Step 2: Apply the gel

- Apply some gel to the center of the RF electrode or the face (When you feel the resistance of the device on facial or skin dryness, please replenish gel promptly).

### Step 3: Facial care

[Firming and lifting mode] takes about 5 minutes, and [light line repair mode] takes about 10 minutes.

- Start the RF device and select a mode
- Press the RF device against the left cheek of your face and the device will start working after a brief vibration (refer to technique illustration).

- After the second brief vibration, switch the device onto the right cheek, and after the third brief vibration, switch it on to the forehead.
- When the device vibrates for 1 second, it means that the treatment mode is finished.
- Short press the mode switch button to switch to another mode and repeat the above steps. Use no more than 30 minutes per day.

#### Step 4: Cleanse and hydrate

- After the care routine, wash your face with clear water and apply skin care products if needed.

#### Step 5: Device maintenance

- After treatment, wipe off any gel remaining on the RF device with a slightly damp soft cloth, then dry it with a dry cloth before putting it back in a box or storage bag.

#### Treatment techniques (illustrations and introduction)



Right cheek: Press the device against your skin and slowly slide it moving from the middle out; repeat several times (when applying to the eye area, please reduce intensity and speed)

●Forehead: Press the device against your skin and slowly slide it moving from the bottom up

\*During use, please move the RF device slowly and do not stop

### Safety Precautions

Tips:

Before use, please read all the [Safety precautions] carefully and strictly abide by the instructions in this manual to prevent undesirable outcomes.

Operation notices

●The recommended ambient temperature for this product is 10°C-30°C. Ensure temperature in the charging environment is between 10-30°C.

●When using the device for the first time or if a long time has passed since the last use, first charge the device and make sure all buttons and indicators are normal.

●Set intensity to 1 when using the device for the first time or before your skin becomes used to this device.



- If you experience abnormal skin conditions, stop using the device immediately and contact our after-sales service or consult a professional doctor.
- When using the device, make sure the RF electrodes are pressed against the skin. Do not glide the device quickly over your skin. The recommended speed of movement is 2cm/s, if your skin feels too hot, you may increase speed slightly
- Do not allow the device to remain in the same position over your skin for a long time so as to prevent burns. Glide the device over your skin.
- Do not look directly at the LED light for a prolonged period to prevent damage to the eyes
- Do not apply the RF electrodes to the eyelids or around the eyes to prevent damage to the eyes.
- Differences in individual skin sensitivity may lead to differences in temperature perception.
- The RF device cannot be turned on or operated while being charged, and all buttons will not be functional.

#### Precautions

- This product is for people above 18 years old; please do not use this product on minors; please keep it in a place out of reach of children.
- Do not use the device on pets as it may cause injury to them.

- Do not use the product for purposes other than those specified in the manual so as to avoid personal injury or mechanical failure.
- People with physical or mental disabilities should not use this device as it may result in accident or bodily injury.
- Do not use the device if it is malfunctioning, as this may result in bodily injury or danger.
- Do not use the device near flammable substances (such as alcohol, thinner, gasoline, nail polish remover, or hair spray) as this may result in fire, electric shock, or bodily injury.
- Do not use the device together with flammable cosmetics.
- Do not charge, use or leave the product near a fire, heat source, or high temperature area, as it may cause the device to overheat, catch fire, or burst.
- Do not use near water sources, in bathrooms or while bathing, as this may result in an electric shock, short circuit, or fire.
- Please avoid dropping or any collisions to prevent malfunctions or injuries due to the fall; do not use the device if it has been damaged by being dropped or coming into collision with something.
- Avoid metal touching the electrodes as it may cause device malfunction and personal injury.
- Do not use corrosive solvents (alcohol, thinner, gasoline, nail polish remover, etc.) to wipe the device, as it may damage its surface.

- Turn the power off when the device is not in use or being cleaned to prevent an electric shock, short circuit, or fire.
- Please do not disassemble or modify the device, as this may cause fire, electric shock, or physical injury; if the device needs repair, please contact our after-sales service.
- If any abnormalities occur during charging, please unplug the charging cable immediately. If there is smoke, noise, or odor during operation, please stop using the device immediately.

#### Unsuitable Groups

People with any of the following conditions may not use this product because it may cause accidents or result in skin or bodily damage:

- Menstruation, pregnancy or breastfeeding;
- Puberty or adolescence;
- Metal implants around the application areas;
- Diseases such as cancer (especially skin cancer and pre-cancerous moles), acute diseases, tuberculosis, febrile diseases, infectious diseases, blood diseases, visceral diseases, skin diseases, allergic dermatitis, etc.
- Use of this product may cause discomfort or adverse effects among people with allergies, skin diseases, allergic dermatitis, sensitive skin, etc. If adverse effects occur, please stop using it immediately.

- Impaired immune system due to immunosuppressive diseases such as AIDS, or taking immunosuppressive drugs;
- Consult your physician if you have had permanent plastic fillers placed within the application area, or you have temporary dermal fillers or Botox implanted within the application area
- Any disease within the application area due to thermal irritation, such as recurrent herpes simplex virus;
- Physical irritation within the application area may cause blemishes;
- Allergic, sensitive or fragile skin;
- Fatigue, illness, under the influence of alcohol or on sleeping pills;
- Dilated capillaries caused by prolonged use of steroids, hormones, and other drugs, or liver dysfunction;
- People using these medical devices: Assistive devices implanted in the body such as artificial lungs, pacemakers, internal defibrillators, or portable devices such as electrocardiographs.

Where device should not be applied:

- Do not use this product on the following body parts or if the following conditions exist:

- Throat nodules, eyeballs, eyelids, inside the mouth, private parts, mucous membranes, etc.;
- Severe acne in the application area;
- Purulent and inflamed skin, previous scarring or abnormal wound healing;
- If you have undergone surgeries such as laser peeling or chemical peeling in the last 3 months or have healing wounds within the application area;
- Skin inflammation or redness due to sunburn;
- Itchiness or pathological pigmentation on the skin;
- Protruding moles or viral warts on the skin;
- Dermatological conditions such as rashes, inflammation, itchiness, etc.
- Areas with damaged skin integrity (e.g. with burns, blisters, cuts, wounds, active skin disease or infection).

Note: The above list of safety precautions is not exhaustive. If you are unsure whether you can use this product, please consult a physician or contact us.



Warning: Non-ionizing radiation



Read user manual

## Malfunction and maintenance

---

Table of common malfunctions

Problem	Potential cause	Solution
Start failure	No power left	Charge fully before use
	End of battery life	Contact the manufacturer for repair or replacement
Automatic power off	No operation for more than 60 seconds	Restart the device
	No power left	Charge fully before use
	RF device electrodes not tightly pressed against the skin	Keep RF device electrodes tightly pressed against the skin
	Wrong type of gel	Recommend gel types
	Insufficient gel	Replenish gel on the face
Burning sensations of the face	High intensity	Lower intensity
	RF device stays in one area	Slightly speed up RF device movement

Problem	Potential cause	Solution
Burning sensations of the face	Insufficient gel	Replenish gel on the face
Low heat	Low intensity	Increase intensity
	Fast RF movement	Slightly reduce RF device movement
	[Firming and lifting mode] is on	Normal sensation caused by current
Tingling caused by current	Device not pressed against the skin	Press the device against the skin
	High-intensity [Firming and lifting mode]	Lower intensity
Redness of skin after use	Caused by RF heat	Normally recovers soon afterwards, please seek medical attention if you don't recover or have other discomfort.

## Warranty

1 year limited warranty

For more information about the consumer warranty benefits, please refer to AMIRO's

official website [www.amirobeauty.com](http://www.amirobeauty.com). Except as prohibited by laws or otherwise

promised by AMIRO, the after-sales services shall be limited to the country or region of

the original purchase. Under the consumer warranty, to the fullest extent permitted by law, AMIRO, will, at its discretion, repair, replace or refund your product. Normal wear and tear, force majeure, abuse or damage caused by the user's negligence or fault are not warranted. If in doubt please contact the relevant person as AMIRO may identify.

Products which were not duly imported and/or were not duly manufactured by AMIRO and/or were not duly acquired from AMIRO or a AMIRO's official seller are not covered by the present warranties. As per applicable law you may benefit from warranties from the non-official retailer who sold the product. Therefore, AMIRO invites you to contact the retailer from whom you purchased the product.

Manufacturer: Shenzhen Accompany Technology Co., Ltd.

Address: 26<sup>th</sup> Floor, Gaoxin Community United Headquarters Building, No.63, Gaoxin South 10<sup>th</sup> Road, Binhai Community, Yuehai Street, Nanshan District, Shenzhen, China.

For detailed e-manual, please go to [www.amirobeauty.com](http://www.amirobeauty.com).