

# ANJ-HHS/HHP-II Series

Off-Grid Solar Inverter

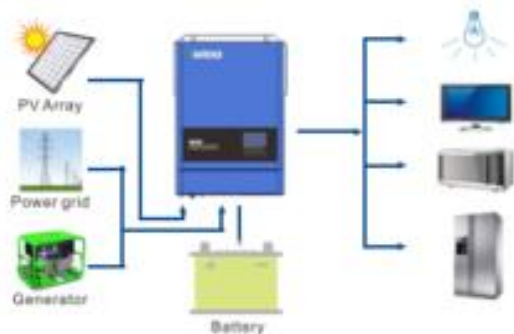


## Main Features

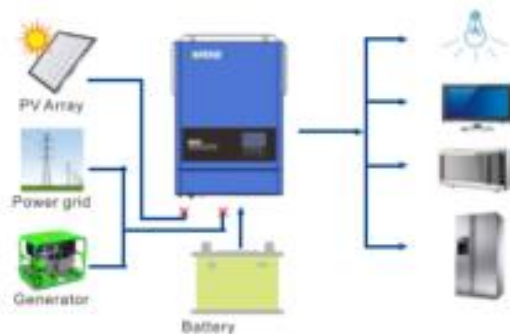
- Pure sine wave
- Power factor 1.0
- PV input Voltage 60Vdc-500Vdc
- Built-in MPPT 120A
- Capable to work without battery
- Detachable dust cover for harsh environment
- WiFi remote monitoring optional
- Support multiple output priority: UTL, SOL, SBU, SUB
- EQ function to optimize battery performance and extend lifecycle
- Compatible work with lifepo4 battery via RS485
- Lithium battery activation function, which can be triggered by mains or PV

## Solar System Connection

1 Solar Power and AC Power available

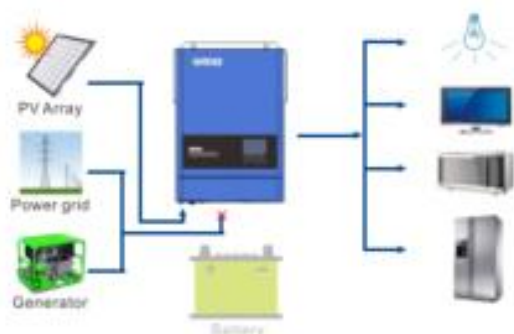


2 Solar Power and AC Power not available

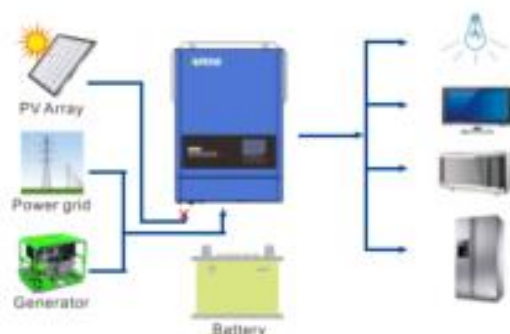


Operation without battery connected

3 Solar Power available



4 AC Power available



## Technical Data

<b>Model</b>	<b>ANJ-6200-48V-WIFI</b>
CAPACITY	6.2KVA/6.2KW
<b>INPUT</b>	
Nominal Voltage	230VAC
Frequency	50/60Hz (Auto sensing)
<b>OUTPUT</b>	
Nominal Voltage	220/230VAC±5%
Surge Power	12400VA
Frequency	50/60Hz
Waveform	Pure sine wave
Transfer Time	10ms (For personal Computed),20ms (For HomeAppliances)
Peak Efficiency (PV to INV)	96%
Peak Efficiency (Battery to INV)	93%
Overload Protection	5s@>=150% load; 10s@110%-150% load
Crest Factor	3:01
Admissible Power Factor	0.6-1(inductive capacitive)
<b>Battery</b>	
Battery Voltage	48VDC
Floating Charge Voltage	54VDC
Over Charge Protection	63VDC
Charging Method	CC/CV
<b>Solar Charger &amp; AC Charger</b>	
Solar Charger TYPE	MPPT
Max. PV Array Power	6500w
Max. PV Array Open Circuit Voltage	500VDC
PV Array MPPT Voltage Range	60VDC-500VDC
Max. Solar Input Current	27A
Max. Solar Charge current	120A
Max. AC Charge Current	80A
Max. Charge Current	120A
<b>PHYSICAL</b>	
Dimensions,DxWx H(mm)	482X290X113
Package Dimensions DxWxH(mm)	566X380X190
Net Weight(kgs)	10
Communication Interface	USB/RS232
<b>ENVIRONMENT</b>	
Operating Temperature Range	-10°C to 50°C
Storage temperature	-15°C - 60°C
Humidity	5% to 95% Relative Humidity (Non-condensing)