

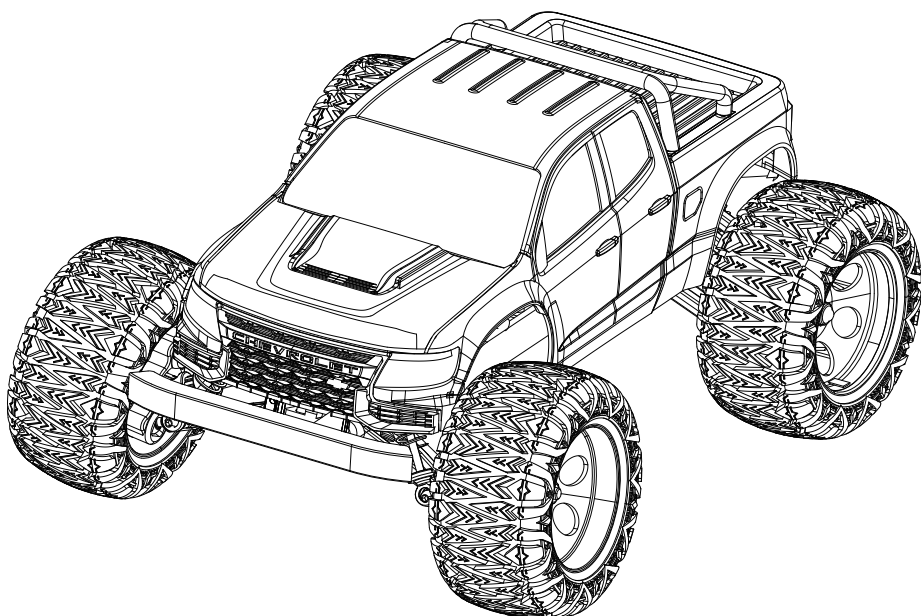
EAZ RC

TAKE CONTROL, LET'S ROLL

1:18

CHEVROLET COLORADO

1/18 科罗拉多大脚卡车

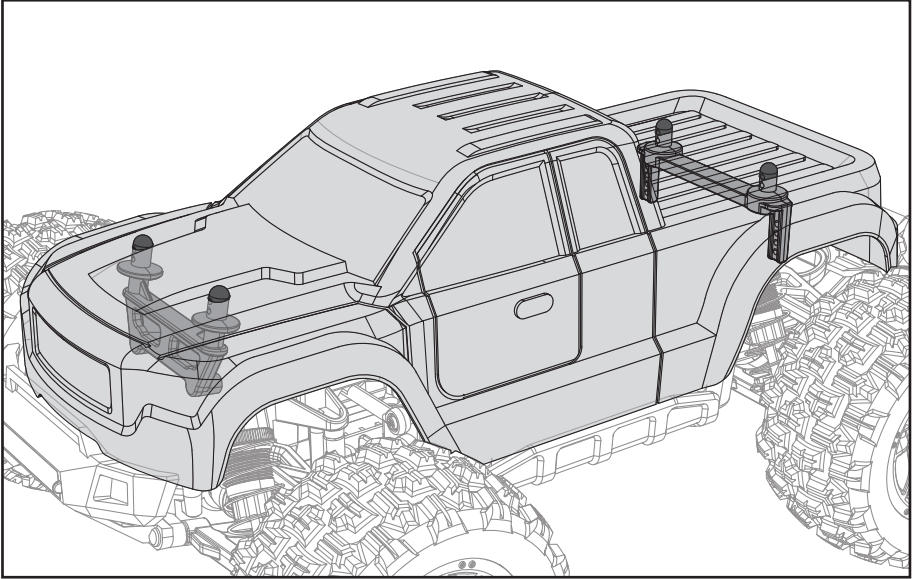


4WD
REMOTE CONTROL

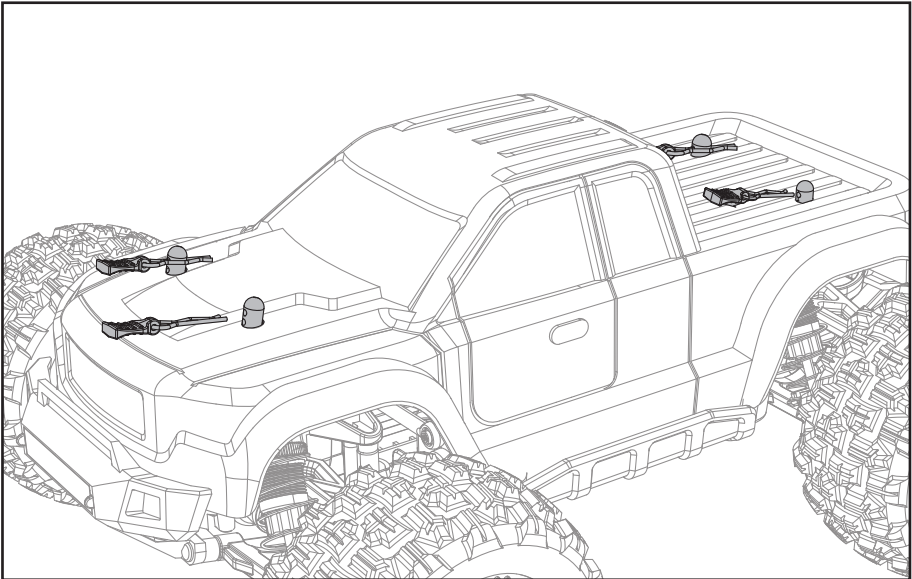
Instruction Manual
操作手册

Install Car Shell 安装车壳

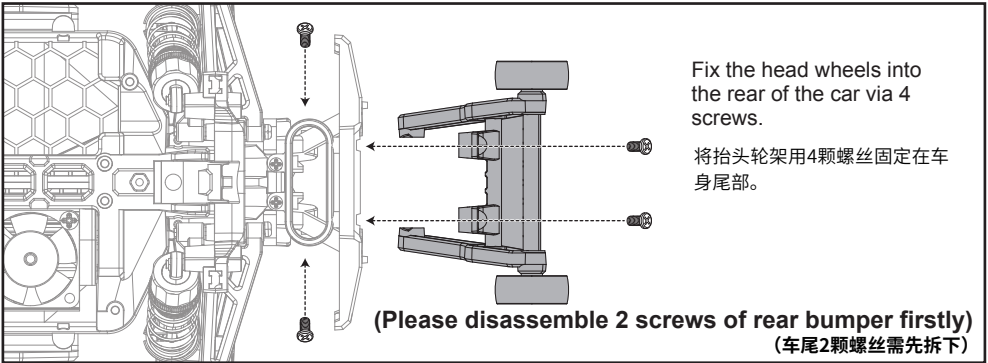
Align the 4 holes of the car shell with holders, then install it.
将车壳4个孔位对准车壳支架装入。



Insert the 4 clips into the holes to lock the car body.
将4个车壳扣插入锁紧车壳。



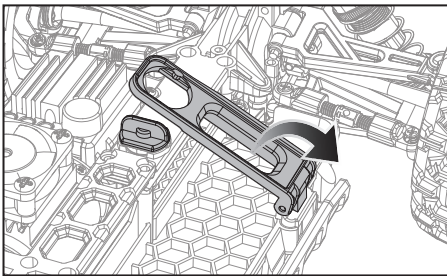
Install the Head Wheels 抬头轮安装



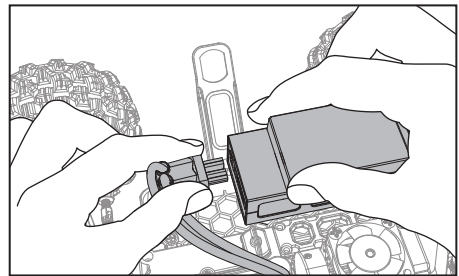
Install the Battery 安装电池

- ① Turn the battery lock knob and flip up the cover;
- ② Connect the receiver plug to the battery;
- ③ Put the battery into the battery holder and make sure it is in place;
- ④ Flip back the cover and turn the knob to lock it.

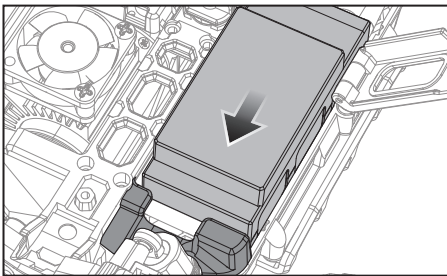
- ① 转动电池锁旋钮，向上翻出盖板；
- ② 将接收器插头连接电池；
- ③ 将电池放入电池座，确保安装到位；
- ④ 翻回盖板并转动旋钮锁紧。



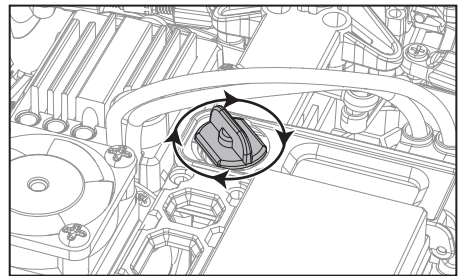
①



②



③



④

Charge 充电

High speed car battery: 7.4V 1050mAh 25C.

If charging with a 5V2A USB adapter, the charging time is about 120 minutes.

- When charging, the indicator light of charger is green and flashes;
- When the battery is fully charged, the green indicator light of the charger stays on.

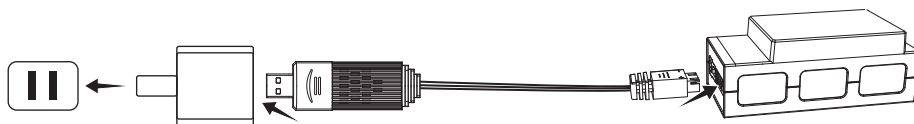
*The above charging time data is based on the test result of 5V2A adapter. Using different specifications of adapters or power supply equipment will affect the actual charging time. It is recommended to use a 5V2A adapter for charging.

高速车电池：7.4V 1050mAh 25C。

使用5V 2A USB适配器进行充电时，充电时长约为120分钟。

- 电池充电时，充电器绿色指示灯闪烁；
- 电池满电时，充电器绿色指示灯常亮。

*以上充电时长数据为配置5V 2A适配器的测试结果，使用不同规格的适配器和供电设备会影响实际充电时间。建议使用5V 2A适配器进行充电。



Adapter 5V2A (Sold separately)
适配器5V 2A(需另购)

Instruction 产品介绍

If you're looking for your first 1:18 RC monster truck, look no further than the EAZYRC 1:18 Chevrolet Colorado, licensed by General Motors LLC. 17g digital servo, 45A brushless ESC, 2S Li-Po battery, and a 4-pole high-torque brushless motor provide sufficient power for the full-time four-wheel drive system. The top speed reaches 45 km/h.

The chassis uses a honeycomb structure with metal reinforcements to increase the overall strength, and the durability is superior to that of similar products. The all-metal gears and metal differentials plus durable steel drive shafts, provide reliable heavy-duty transmission and can withstand extreme high-speed impacts.

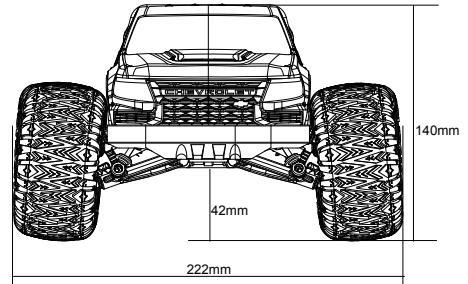
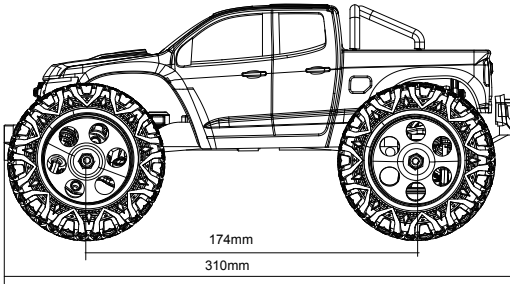
The whole vehicle adopts a modular chassis design so that the power system, electronic equipment, and differential components are easy to disassemble and the daily vehicle maintenance is simple. The all-metal oil-filled shock absorbers are proven to withstand the impact of high-speed jumps. The tires with asymmetric tread patterns provide EAZYRC 1:18 Chevrolet Colorado with excellent grip, making it easy to run smoothly on almost any road.

如果您正在寻找您的第一辆1:18 RC大脚车，没有什么比EAZYRC 1/18 雪佛兰科罗拉多更好了。17g数字舵机、45A无刷电调、2S锂电、4极大扭矩无刷电机，为全时四驱系统提供充沛动力，时速可达45km/h。

底盘采用蜂窝结构设计，搭配金属强化底板以提高整体强度，耐用性比其他同级产品更强。全金属齿轮及金属差速器完美地分配动力，加上耐用的钢制传动轴，提供可靠的传动，可承受极端的高速冲击。

整车采用模块化设计，动力系统、电子设备和差速器组件易于拆卸，维护简单。全金属油压避震久经考验，可抵御高速跳跃冲击。非对称花纹的轮胎，为EAZYRC 1:18 雪佛兰科罗拉多提供高效的抓地力，可以在任何路面上畅快行驶。

Specification 产品参数



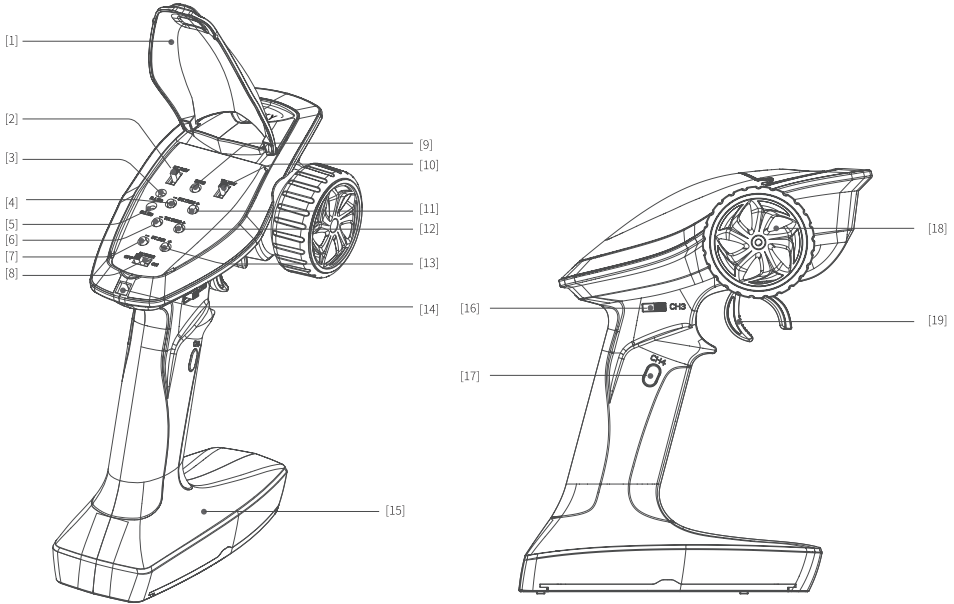
| | |
|---|---------------------------|
| • Length:310mm | • 车长:310mm |
| • Width:222mm | • 车宽:222mm |
| • Height:140mm | • 车高:140mm |
| • Wheelbase:174mm | • 轴距:174mm |
| • Minimum Ground Clearance: 42mm | • 最小离地间隙:42mm |
| • Motor: 370 brushless motor | • 电机:370无刷电机 |
| • Battery:2S Lipo 7.4V 1050mAh | • 电池:2S Lipo 7.4V 1050mAh |
| • Remote control distance: 80m | • 遥控距离:80m |
| • Approx. operating duration time: 10mins | • 续航:10mins |
| • Remote control: 2.4GHz | • 遥控:2.4GHz |

Features 特点

- **STABILITY:** The all-metal oil-filled shock absorbers can withstand the impact of high-speed jumps.
- **POWER:** 2S Li-Po battery, 45A brushless ESC, 4-pole high-torque brushless motor with metal heatsink and cooling fans (top speed up to 45km/h).
- **DURABLE:** All-metal gears and metal differentials provide reliable heavy-duty transmission.
- **EFFICIENT:** The whole car is equipped with 16pcs ball bearings.
- **SOLID:** Honeycomb structure chassis, with metal reinforcements.
- **IMPACT-RESISTANT:** PC material shell.
- **GRIP:** Asymmetrical pattern high-grip tires.
- **FLEX:** Adjustable steering pull rod.
- **CONVENIENT:** 4CH 2.4GHz remote control system, independent receiver.

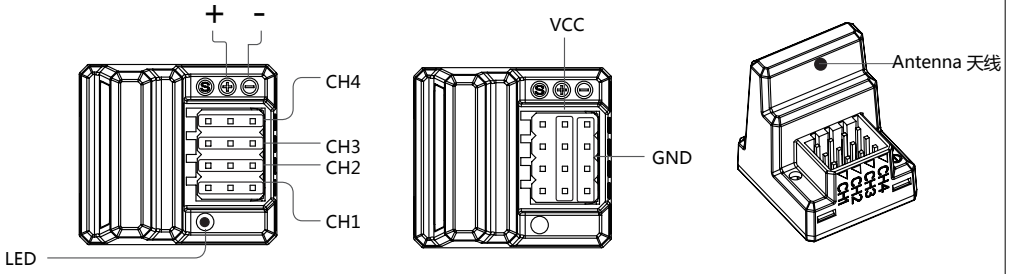
- 全金属油压避震, 可抵御高速跳跃冲击, 更平稳
- 2S电池, 45A无刷电调, 极大扭矩无刷电机, 搭配金属散热片和冷却风扇设计, 更强劲 (最大时速45km/h)
- 全金属齿轮及金属差速器完美地分配动力, 更耐用
- 全车搭配16颗滚珠轴承, 传动更高效
- 蜂窝结构底盘、金属强化底板, 更坚固
- PC材质吸塑外壳, 更耐冲击
- 非对称花纹高抓地轮胎, 更运动
- 可调节转向拉杆, 转向更灵活
- 四通道2.4GHz数字比例遥控系统、独立接收机, 更方便

Transmitter 遥控器



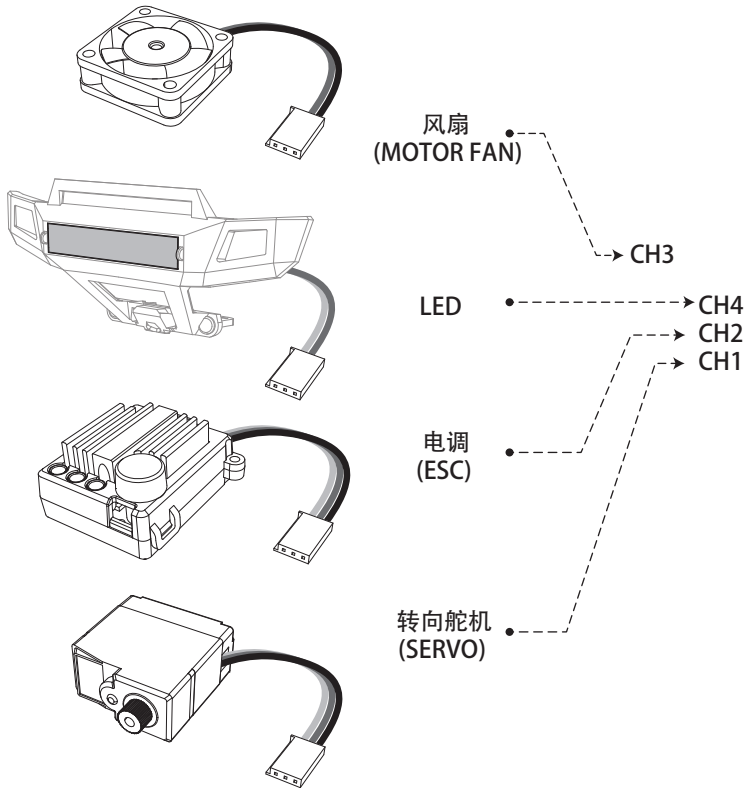
| | | | |
|------|--|------|--|
| [1] | Panel Flip Cover 功能面板保护盖 | [11] | Steering Trim (ST.TRIM +) 方向微调按键 (ST.TRIM+) |
| [2] | Steering Reverse Switch (ST.REV) 方向倒置开关 (ST.REV) | [12] | Throttle Trim (TH.TRIM +) 油门微调按键 (TH.TRIM+) |
| [3] | Power indicator LED (R. LED) 电源指示灯红色LED (R.LED) | [13] | Steering D/R (ST.D / R +) 方向比例调节按键 (ST.D/R+) |
| [4] | Steering Trim (ST.TRIM-) 方向微调按键 (ST.TRIM-) | [14] | Lanyard Eye 挂绳孔 |
| [5] | Status indicator green LED (G.LED) 状态指示灯绿色LED (G.LED) | [15] | Base, 4 * AA battery compartment 底座, 4*AA电池仓 |
| [6] | Throttle Trim (TH.TRIM-) 油门微调按键 (TH.TRIM-) | [16] | Three-position switch (CH3) 三档拨动开关 (CH3) |
| [7] | Steering D/R (ST.D / R-) 方向比例调节按键 (ST.D/R-) | [17] | Button (CH4) 按键开关 (CH4) |
| [8] | Power Switch 电源开关 | [18] | Wheel Angle, the maximum rotation of the steering wheel is 35 degrees from center to left or right (CH1) 方向手轮, 左右各35度 (CH1) |
| [9] | Bind Button (BIND) 对码按键 (BIND) | [19] | Throttle trigger, 25 degrees for forward, 12.5 degrees for backward 油门扳机, 前25度后12.5度 (CH2) |
| [10] | Throttle Reverse (TH.REV) 油门倒置开关 (TH.REV) | | |

Receiver 接收器



To ensure signal quality, the antenna should be perpendicular to the model body and placed upright.

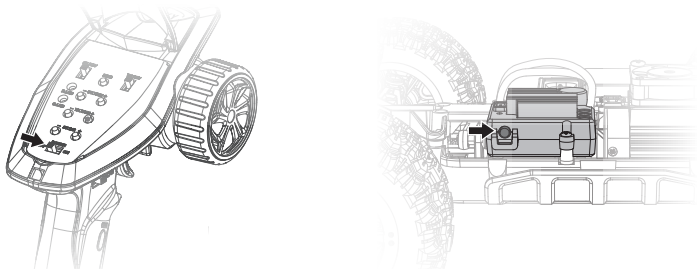
为保证信号质量，天线应与模型机身保持垂直，且天线竖立摆放。



Power Switch 开关

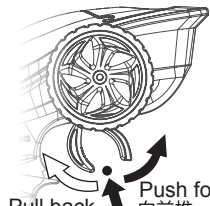
1. Turn on the power switch of the transmitter, the signal indicator light of transmitter flashes.
2. Press the power button of car, which is on the side of the ESC; the indicator light of car flashes.
3. When the indicator light stays on, the car can be operated to play.

1. 打开遥控器电源开关，遥控器信号指示灯闪烁。
2. 按下电调侧面的车模电源开关按钮，车辆指示灯闪烁。
3. 当指示灯变为常亮后，便可操控。

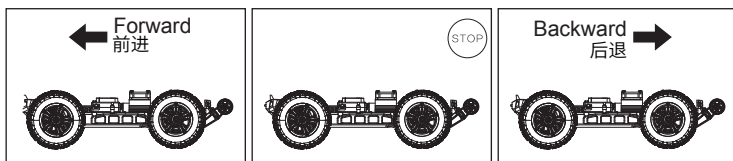


- When turn on the transmitter, please DO NOT touch the throttle and steering. After turn on the transmitter's power, please operate after the indicator light of transmitter staying on.
- Please comply the principle of "turn on the transmitter firstly, then turn on the car".
- In the frequency matching, please make sure there is only one pair of transmitter and car in matching at the same time, otherwise the frequency will match wrongly.
- 开启遥控器时，请勿触碰油门和转向。打开遥控器电源后，请待遥控器指示灯常亮后再操作。
- 开机时应遵循“先开启遥控器，再开启模型车”的原则。
- 在同一时刻，请确保对码的遥控器和车只有一对，否则会对错遥控器。

TH (Throttle) (油门)



Pull back 向后拉
Push forward 向前推
Middle 中位



Forward : pull the transmitter trigger back.

Backward: push the transmitter trigger forward.

Brake: when the car is going forward, pull the transmitter trigger back, and the car enters into the braking state. After the trigger is in the middle, push back again, and the car can move backward.

*When the car is in reverse situation, it does not have the brake function.

前进：遥控器扳机向后拉。

后退：遥控器扳机向前推。

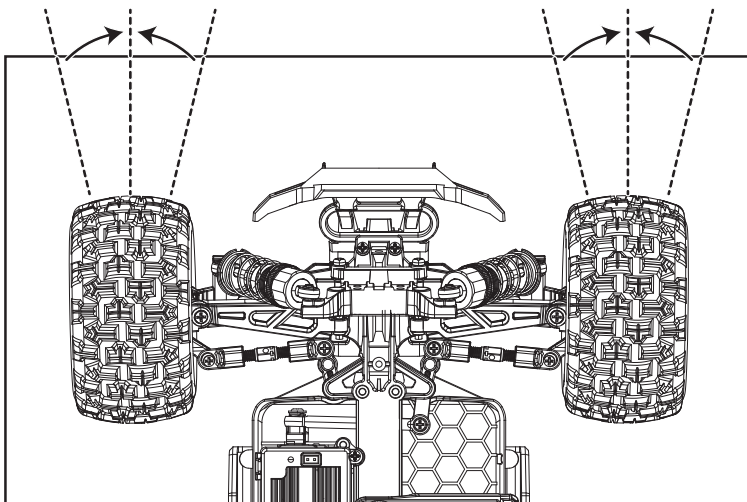
刹车:当车辆前进时，将遥控器扳机向后拉，车辆进入刹车状态。当扳机在中间时，即油门归中后，再向后拉，车辆就可以向后移动了。

*车辆处于后退状态下，无刹车功能。

ST.TRIM (Steering servo strimmer) (转向舵机微调)

If the car cannot go straightly during driving, it can be adjusted through the ST.TRIM.

车辆行驶过程中如无法直线行驶，可通过此微调进行调整。



Light control 灯控

Short press the CH4 button, the light of car can be controlled to turn on or turn off.

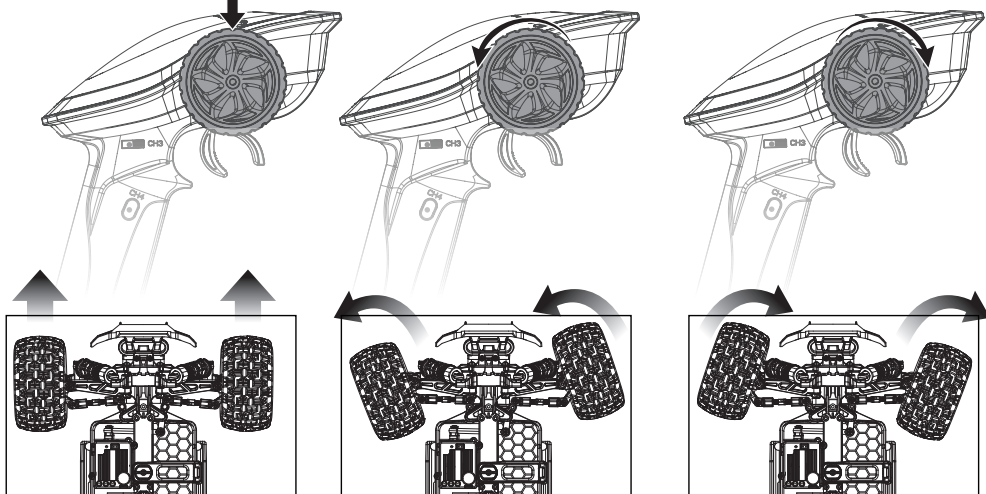
按CH4按键时，控制灯光开启或关闭。

ST (Steering) 转向

Middle
中位

Turn left
左转

Turn right
右转



Front Bumper Assembly (With LED) 前防撞组件 (包含LED)

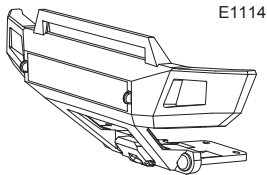
Screw 螺丝

∅2.6x8mm 2PCS

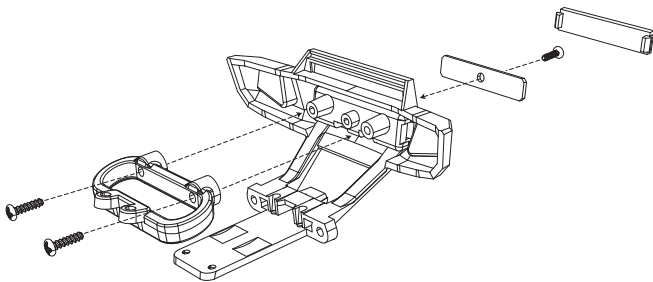
Round head screws
圆头平尾螺丝

∅ 2.3x5mm 1PCS

Round head screws
圆头平尾螺丝



E1114

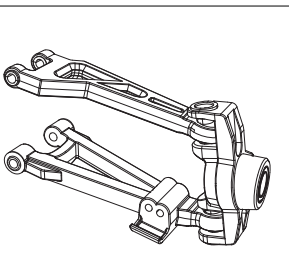


Front Swing Set 前摆臂组件

Screw 螺丝

∅ 2.6x12.5mm 2PCS

Countersunk flat
head screws
沉头平尾螺丝

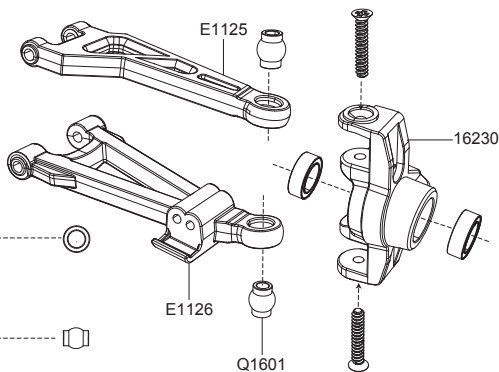


Bearing 轴承

2PCS
Ball bearing
滚珠轴承

Pivot balls 球头

2PCS
Steering pivot balls
球头



Rear Swing Set 后摆臂组件

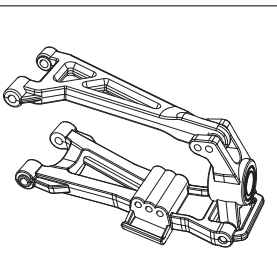
Screw 螺丝

∅ 2.3x12mm 1PCS

Countersunk flat
head screws
沉头平尾螺丝

Bearing 轴承

2PCS
Ball bearing
滚珠轴承



Rear hub pins 单花轴

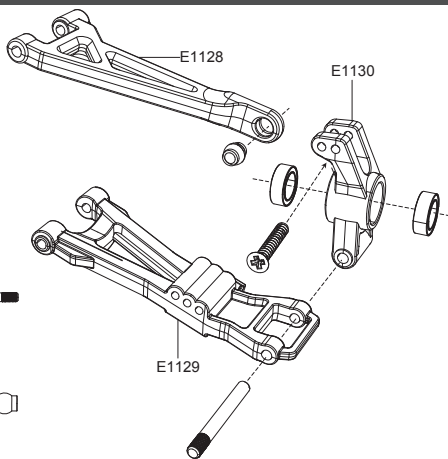
1PCS

Rear hub pins
后固定座插销

Pivot balls 球头

1PCS

Steering pivot balls
球头



Metal Gears Main Driving Set 全金属主传动组件

Bearing 轴承

2PCS

Ball bearing

滚珠轴承

2PCS

Ball bearing

滚珠轴承

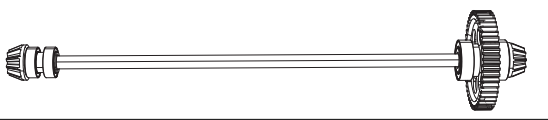
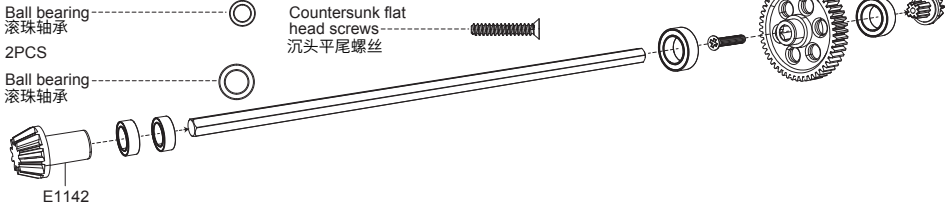
Screw 螺丝

Ø2x10mm 1PCS

Countersunk flat

head screws

沉头平尾螺丝



Metal Gears Diff Assembly 全金属齿轮差速箱

Screw 螺丝

Ø2x12mm 4PCS

Countersunk flat
head screws

沉头平尾螺丝

Ø2.5x2.5mm 1PCS

Hexagon socket

machine screw

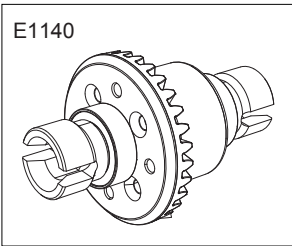
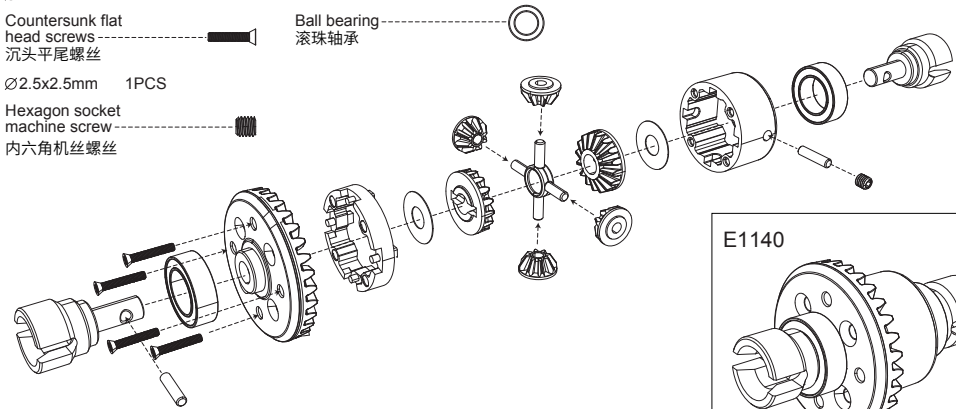
内六角机丝螺丝

Bearing 轴承

2PCS

Ball bearing

滚珠轴承



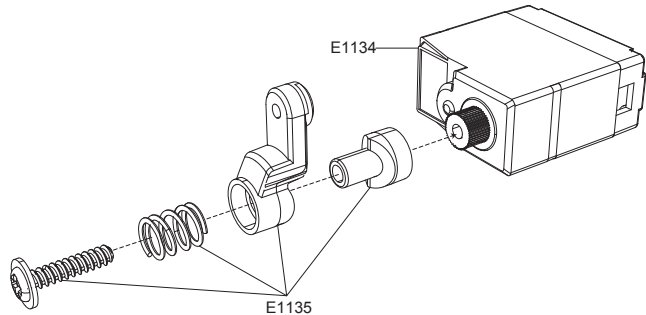
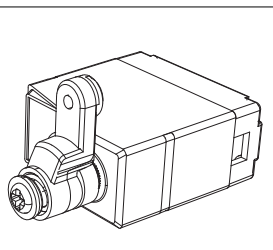
Servo Assembly 舵机组件

Screw 螺丝

Ø2.6x12mm 1PCS

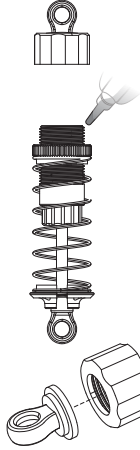
Screws

带介平尾螺丝



Oil Filled Shock 油压避震

Add shock oil
添加避震油

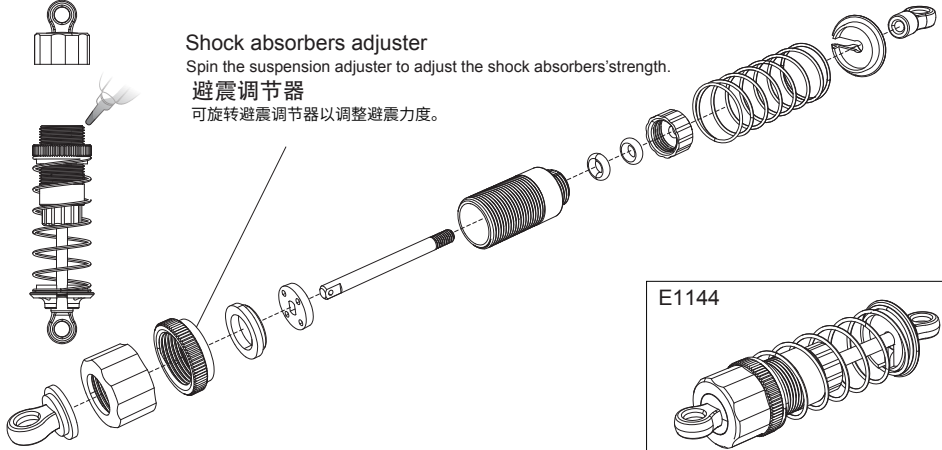


Shock absorbers adjuster

Spin the suspension adjuster to adjust the shock absorbers' strength.

避震调节器

可旋转避震调节器以调整避震力度。



E1144

Steering Assembly 转向组件

Screw 螺丝

Ø2.3x12mm 3PCS

Countersunk flat

head screws

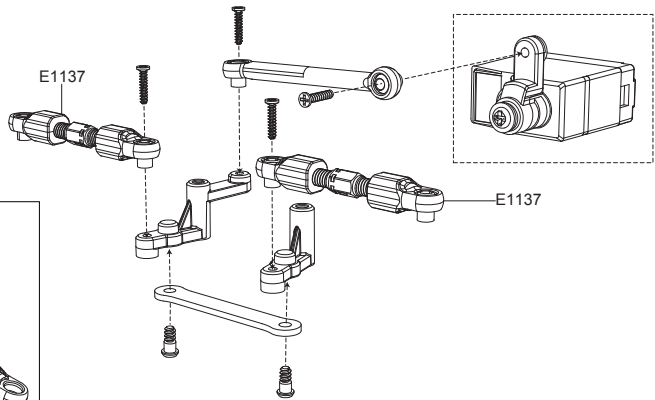
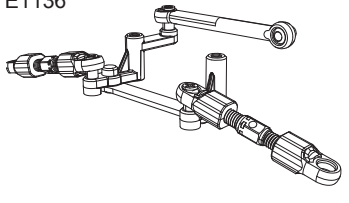
沉头平尾螺丝

Ø2.6x6.5mm 2PCS

Step flat screws

台阶平尾螺丝

E1136



Motor Assembly 电机组件

Screw 螺丝

Ø2.5x8mm 2PCS

Countersunk flat

head screws

沉头机丝螺丝

Ø3x15mm 2PCS

Machine screws

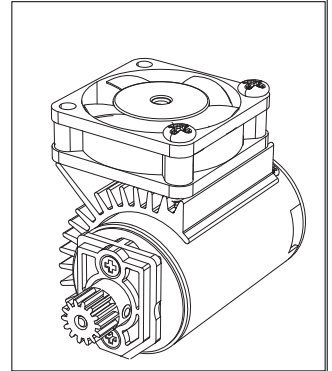
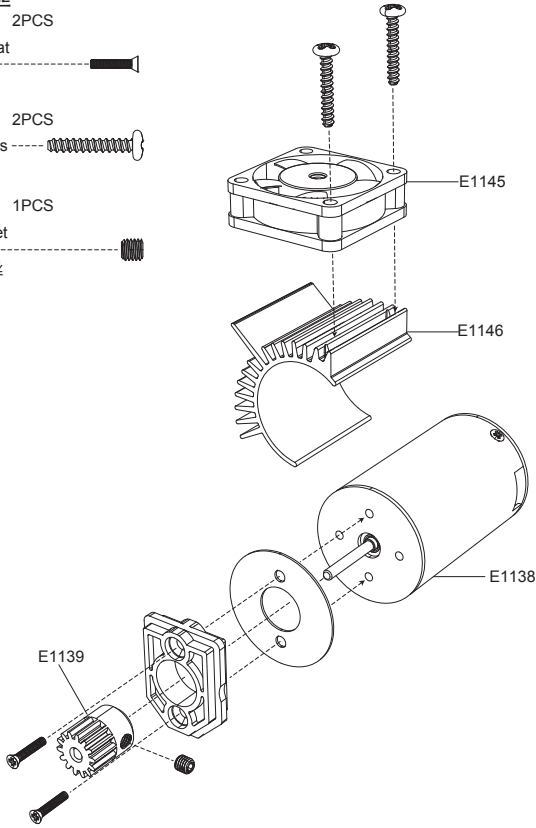
机丝螺丝

Ø3x3mm 1PCS

Hexagon socket

machine screw

内六角机丝螺丝



Screw 螺丝

∅2.3x8mm 4PCS

Round head screws -----
圆头平尾螺丝

∅2.6x6mm 2PCS

Round head screws -----
圆头平尾螺丝

∅2.6x10mm 10PCS

Round head screws -----
圆头平尾螺丝

∅2.3x10mm 6PCS

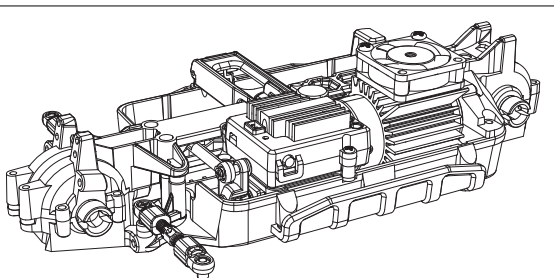
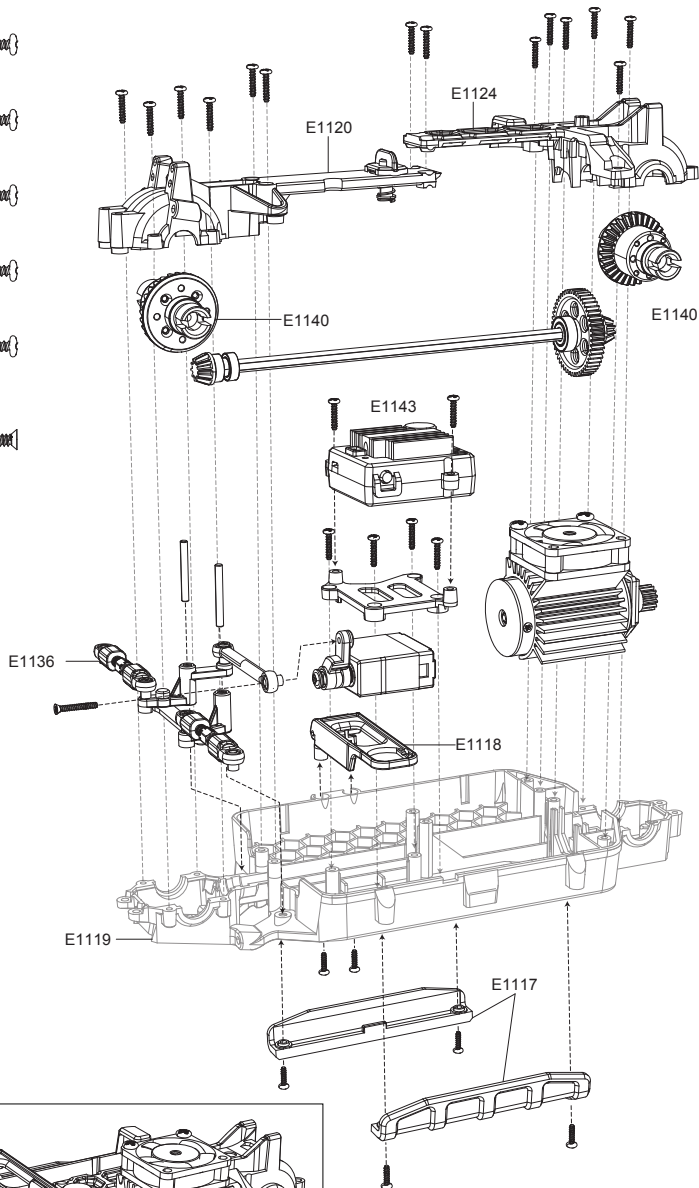
Round head screws -----
圆头平尾螺丝

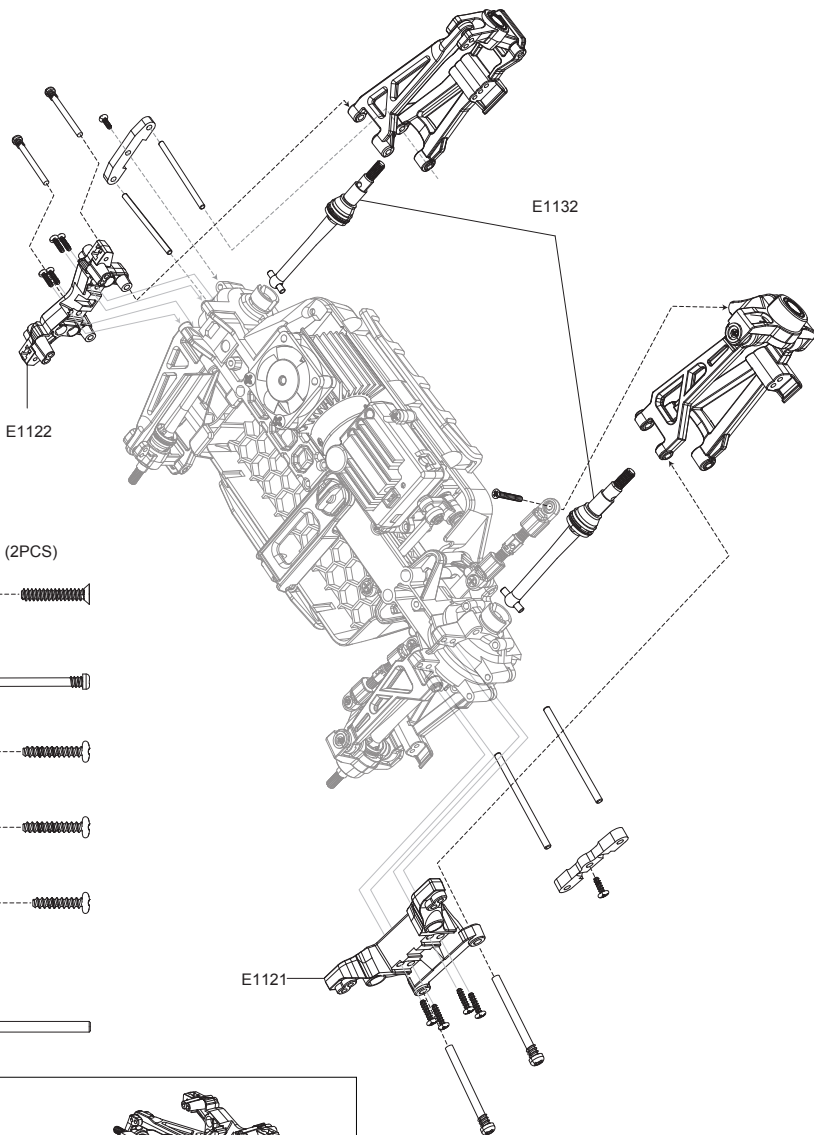
∅2.6x8mm 4PCS

Round head screws -----
圆头平尾螺丝

∅2.3x11mm 1PCS

Countersunk flat
head screws -----
沉头平尾螺丝





Screw 螺丝

Ø2.3x12mm 1PCS (2PCS)

Countersunk flat head screws
沉头平尾螺丝

Ø3x29mm 4PCS

Round head half thread screws
圆头平尾半牙螺丝

Ø2.6x10mm 1PCS

Round head screws
圆头平尾螺丝

Ø2.3x10mm 4PCS

Round head screws
圆头平尾螺丝

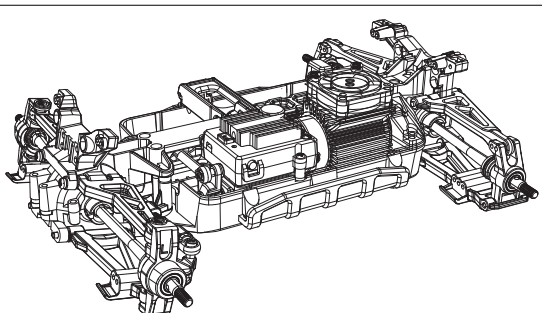
Ø2.6x8mm 5PCS

Round head screws
圆头平尾螺丝

Iron shaft 铁轴


4PCS

Lower swing arm fixed shaft
下摆臂固定轴




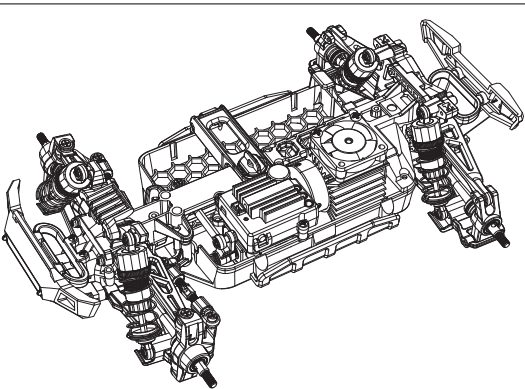
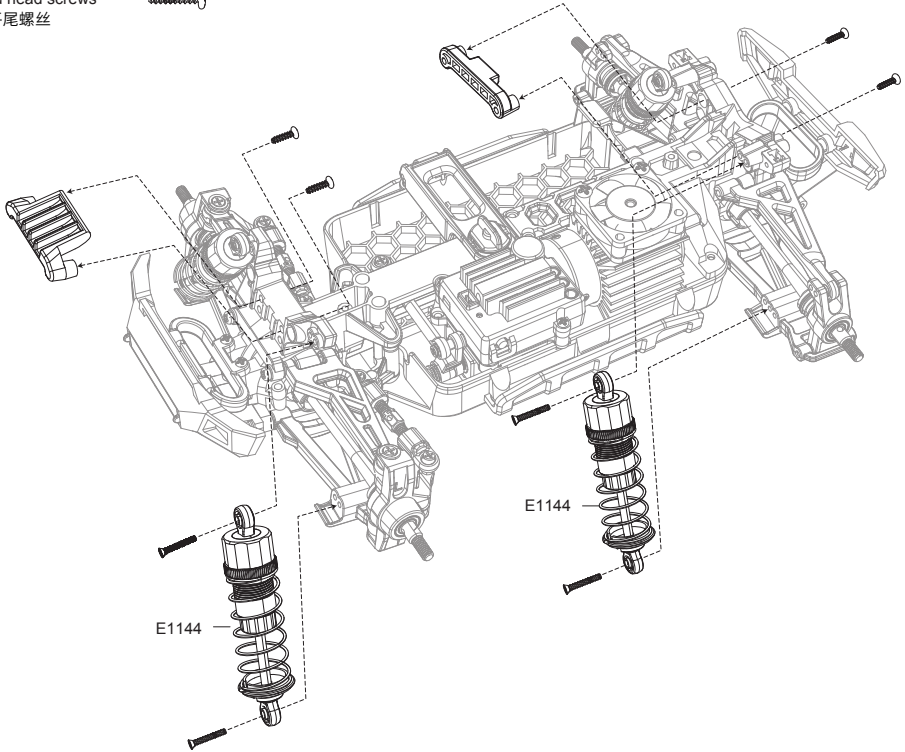
Screw 螺丝

∅2.3x12mm 4PCS (8PCS)

Countersunk flat
head screws-----
沉头平尾螺丝

∅2.6x8mm 4PCS

Round head screws-----
圆头平尾螺丝



Iron shaft 铁轴

1PCS (4PCS)

Wheel hex pins
六角套铁轴

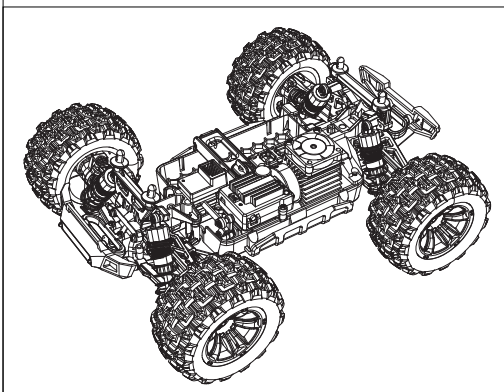
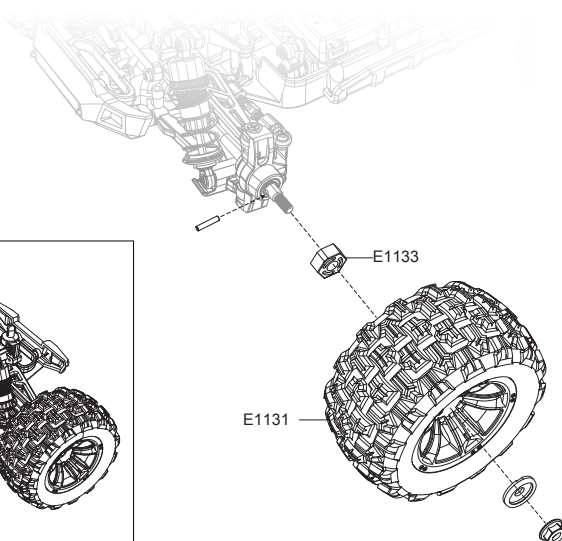
1PCS (4PCS)

Wheel hex
六角套

Nut 螺母

1PCS (4PCS)

M4 Wheel lock nut
M4螺母



Spare parts list 配件表

| | | | | | |
|-------|------------------------------|--------------|-------|-----------------------------|----------------|
| E1149 | BK car body (w/ painting) | 车壳总成黑 | E1127 | Front C hub | 转向座 |
| E1150 | RD car body (w/ painting) | 车壳总成红 | E1128 | Rear upper suspension arms | 后上摆臂 |
| E1151 | BU car body (w/ painting) | 车壳总成蓝 | E1129 | Rear lower suspension arms | 后下摆臂 |
| E1152 | G4P transmitter & EX combo | G4P 发射及接收器 | E1130 | Rear hub | 后固定座 |
| E1153 | G4P transmitter | G4P 发射 | E1131 | Wheel set | 车轮组件 |
| E1154 | R4A receiver | R4A 接收器 | E1132 | CVD driveshaft set | CVD轮胎转动组件 |
| E1155 | Car body parts | 车壳配件 | E1133 | Wheels hex adaptor | 六角套 |
| E1156 | BK decal sheet | BK 贴纸 | E1134 | 17g digital servo | 舵机 |
| E1157 | BU decal sheet | BU 贴纸 | E1135 | Servo saver set | 舵机摆臂组件 |
| E1158 | RD decal sheet | RD 贴纸 | E1136 | Steering linkage set | 转向传动组件 |
| E1114 | Front bumper set (W/LED) | 前防撞组件 (含LED) | E1137 | Steering link | 转向拉杆 |
| E1115 | Rear bumper set | 后防撞组件 | E1138 | Main input gear | 2845无刷电机 |
| E1116 | Wheelie bar set | 抬头轮 | E1139 | Pinion gear set | 电机输出齿 |
| E1117 | Chassis side guards | 底盘配件 | E1140 | Front/rear differential set | 金属齿轮差速箱 |
| E1118 | Battery lock | 电池固定卡座 | E1141 | Spur gear | 传动主齿轮组件 (金属) |
| E1119 | Chassis | 底盘 | E1142 | Main input gear | 前锥齿 (金属) |
| E1120 | Front differential box cover | 前齿轮盖 | E1143 | 45A brushless esc | 45A无刷电调 |
| E1121 | Front shock absorption tower | 前避震架 | E1144 | Metal oil-filled shock | 金属油压避震 |
| E1122 | Rear shock absorption tower | 后避震架 | E1145 | Motor fan | 风扇 |
| E1123 | Body post bracket | 前后车壳支架 | E1146 | Motor heat sink | 电机散热片 |
| E1124 | Rear differential box cover | 后齿轮盖 | E1147 | 7.4V 1050mAh lipo battery | 7.4V 1050mAh电池 |
| E1125 | Front upper suspension arms | 前上摆臂 | E1148 | Body clip retainer | 车壳固定针 |
| E1126 | Front lower suspension arms | 前下摆臂 | | | |

The instruction sheet for this product is just for your reference. We reserve the right to make changes or adjustments on the product without prior notification. Please refer to the official information.

本产品说明书内容仅供参考。本公司有权对产品进行更改或调整，恕不再另行通知，具体请以官方为准。

Warning 警告

Choking hazard! This product contains small parts. NOT suitable for children under 3 years. Contains electrical components and should be kept dry at all times. Regularly check the battery charger wires, plugs and shell and other components for damage. DO NOT use if any part is damaged.

本产品含有小零件请勿让三岁以下儿童玩耍；本品含电子元件，不得入水或在潮湿环境下使用；电池充电器应定期检查其电线、插头、外壳和其他部件是否损坏，发现损坏时应停止使用。

Warnings & Cautions 注意事项

- Detachable small parts should be stored safely and out of reach of children.
- If interference is experienced, turn the model off and try it again in a different area.
- Transmitter will not function correctly if the batteries are low. Please replace the batteries.
- Please discard old/used batteries in a safe manner. Consider your environment!
- Please store the remote control model in cool, dry place.
- DO NOT expose to fire or high temperatures, do not store in moist place.
- Once the battery get wet, wipe immediately with a soft dry cloth. If the battery is deformed, please stop using.
- If you don't use the model for a long time, please raise the chassis to let the wheels hang in the air.

- 可拆卸的小零件要放好，千万不可让小孩吞食。
- 如操作场地有电波干扰，请另选场地操作。
- 遥控器电源低电时，请立即停止操作，并更换新电池。
- 对拆除后的包装物和使用过的旧电池，请不要随地丢弃，以免污染环境。
- 请将您的遥控模型存放在干燥、阴凉的地方。
- 不要置于近火和高温、潮湿的地方储存。
- 当电池被水浸湿，请将水充分地擦拭干净，如有变形，请停止使用。
- 若长时间不使用请将模型车的底盘架高，让车轮悬空。

Precautions for Battery Use 电池使用注意事项

- Transmitter uses 4x1.5V "AA" batteries.
- Please pay attention to correct polarity when replacing batteries.
- Rechargeable batteries should be charged under adult supervision.
- Do not mix old and new batteries. Do not mix alkaline, standard (carbon-zinc), or rechargeable batteries.
- After the battery is exhausted, the battery should be removed.
- Exhaust battery should be safely disposed!
- DO NOT short circuit any terminals.
- DO NOT attempt to recharge non rechargeable batteries.
- Remove batteries from the model before charging.
- DO NOT put batteries into a fire or into water.
- The rated input voltage battery charger MUST be suitable for your mains power voltage.
- During charging it is quite normal for the charger and batteries to heat up.
- Do not swallow battery!
- Store only in cool, dry and dark places and should be keep out of the children!
- If battery leakage occurs and the liquid accidentally gets into eyes, wash immediately with plenty of water and go to the nearest hospital.

- 遥控器使用4节 1.5V “AA” 号电池；
- 安装或更换电池时请注意极性；
- 充电电池只能在成人监护下充电；
- 不可混用新旧或不同型号的电池；
- 电池电量用尽后，应从模型内取出；
- 将耗尽电量的电池交给专门的环保部门处理！
- 接线端不应短路；
- 非充电电池不可充电；
- 充电电池充电前应从模型中取出；
- 请不要将坏的电池、电池组分解或扔到火中、水里，以免发生意外；
- 充电器的额定输入电压必须与当地的家用电压相符；
- 在充电过程中，充电器和电池出现微温，属于正常现象。
- 不可吞咽电池！
- 将电池放在凉爽、干燥避光及小孩接触不到的地方！
- 如果出现电池漏液现象且液体不慎入眼，请立刻用大量的清水清洗，并就近去医院就诊。

Safety Precautions 安全注意事项

- It is a radio control model, not a toy!
- In order to enjoy running the car, you need to finish assembly before operation. Do routine maintenance work after operation. Replacement parts and option parts are available separately.
- Improper usage with Alkaline cells or rechargeable batteries may damage the electronics for the car or the radio.
- 此无线遥控模型并非玩具！
- 操作前要完成装配，以便可享受到更多的乐趣。操作后要做维护工作，替换零件和自选零件可分别提供。
- 干电池或充电电池的不当使用，会损害车或无线电系统。



In order to operate the car safely. Be sure that you have observed the following points:

为了安全地操作此模型，请遵守以下规定：

Please follow the points as below in order to prevent accident from happening to the car and people.
为了避免发生事故(对车和人而言)，请遵循以下各项。

- Be sure to read thoroughly the manual before you begin. Fresh user should seek advice from people having rich experience in order to assemble the model correctly.
- Cutters, nippers and screwdrivers need careful handling.
- As the product contains small and sharp parts, assemble and store this product only in places out of the reach of children.
- Do not expose this model to high temperature, humidity or direct sunlight.
- Never reverse connection/ disassemble the battery. This may lead to damage and leakage.
- When the model car is not in use, the model car should be turned off first, and then the remote control power supply. In addition, disconnect the battery from the model car and remove the battery from the remote control to avoid overheating or leakage.
- 开始组装前，须彻底阅读说明书。为了正确地装配模型，首次装配者应请教有操作经验的人。
- 刀具，镊子，螺丝等需小心处理。
- 产品含有小且尖锐的零件，所以在装配和贮藏时，要放在儿童摸不到的地方。
- 勿把模型放在高温，潮湿及阳光直射的地方。
- 勿反接或分解电池，这会导致电池的破损或液漏。
- 当模型不使用时，先关闭模型车、后关遥控器电源。此外，断开模型车的电池连接，并从遥控器中取出电池，以免电池过热或漏液。



Do NOT operate the model in the following places and situations. ((Non-observance may lead to accident!)

不可在以下地方或情形下使用本车(不遵循操作惯例可能会导致事故发生)

- Operate your model in spacious and safe areas! Do not operate it:
 1. On road!
 2. In places where children and many people gather.
 3. In residential districts and parks!
 4. Do not operate the model on public roads, in crowded places and near infant as it may cause accidents.
 5. Indoors and in limited space! Non-observance may result in personal injury and property damage!
- The car must stop immediately and check for the reasons when it is operating abnormal. As long as the problem is not cleared, do NOT operate it! This may lead to further trouble and unforeseen accidents!
- Always check the radio batteries!
With weak dry batteries, transmission and reception of the radio would fall off. You may lose control of your model in such condition. This may also cause serious accidents!
- Keep in mind that people around you may also operate a radio control model!
NEVER share the same frequency with somebody else at the same time! Otherwise, Radio signals will be mixed up and you will lose control to your model. This may lead to accidents.
- Do NOT put fingers or any objects inside rotating and moving parts!
- Right after use, do NOT touch the motor! Danger of burning yourself!
- 只可在空旷安全的地方使用本车! 勿在以下地方使用本车:
 1. 公路上。
 2. 儿童或人群聚集的地方。
 3. 生活区公园里。
 4. 勿在公共车道或人群拥挤的地方操作模型, 以免发生意外事故。
 5. 室内或空间有限的地方。不遵循操作惯例可能会导致人身伤害或财产损失!
- 当车子行动异常时立即停止使用并检查其原因
只要车子故障未被消除, 则不能使用车子。否则可能会出现更大的故障, 并发生意外事故。
- 须经常检查无线电装置的干电池!
若电池电量不足, 发射和接收效果将不理想。在这种情况下, 车子可能会出现失控现象, 也可能会导致严重事故!
- 保持警惕, 周围可能有人也在操作模型车!
勿与他人同时使用同一频率! 否则信号会发生混乱, 车子会失控, 可能导致事故发生。
- 不可将手指或其他物体放进正在旋转或移动的部件中。
- 刚使用完毕时, 勿触摸马达, 因有烫伤危险!

This product is not a toy! (14+) Recommended for ages 14 and up. Adult supervision required for ages under 14 years old. Contains small parts, keep out of reach of children 3 years of age and younger.

使用前请仔细阅读本手册。我们不对任何故意损坏或不当使用负责。这个产品不是玩具! 建议14岁及以上者使用。14岁以下的用户, 需要在成年人监督下使用。本产品部分包含小零件, 请务必保证3岁及以下儿童不能接触本产品。



MADE IN CHINA

CE Warning

The antenna(s) used for this transmitter must be installed to provide a separation distance of at least 20 cm from all persons and must not be co-located or operating in conjunction with any other transmitter. End-users and installers must be provided with antenna installation instructions and transmitter operating conditions for satisfying RF exposure compliance.

Appendix 1 FCC Statement

This equipment has been tested and found to comply with the limits for a Class B digital device pursuant to part 15 of the FCC rules. These limits are designed to provide reasonable protection against harmful interference in a residential installation. This equipment generates, uses and can radiate radio frequency energy and, if not installed and used in accordance with the instructions, may cause harmful interference to radio communications. However, there is no guarantee that interference will not occur in a particular installation. If this equipment does cause harmful interference to radio or television reception, which can be determined by turning the equipment off and on, the user is encouraged to try to correct the interference by one or more of the following measures:

- Reorient or relocate the receiving antenna.
- Increase the separation between the equipment and receiver.
- Connect the equipment into an outlet on a circuit different from that to which the receiver is connected.
- Consult the dealer or an experienced radio/TV technician for help.

To assure continued compliance, any changes or modifications not expressly approved by the party responsible for compliance could void the user's authority to operate this equipment.

This equipment complies with Part 15 of the FCC Rules. Operation is subject to the following two conditions:

- (1) This device may not cause harmful interference.
- (2) This device must accept any interference received, including interference that may cause undesired operation.

Caution!

The manufacturer is not responsible for any radio or TV interference caused by unauthorized modifications to this equipment. Such modifications could void the user authority to operate the equipment.

1. The antenna(s) used for this transmitter must be installed to provide a separation distance of at least 20 cm from all persons and must not be co-located or operating in conjunction with any other transmitter. End-users and installers must be provided with antenna installation instructions and transmitter operating conditions for satisfying RF exposure compliance.
2. Move all your channels to the desired position.
3. Select [All channels] and then [Yes] in the confirmation box.

Declaration of Conformity (DoC)

We,
Add: Yihe Center, Yihe Road 2, Beijiao Town, Shunde
District, Foshan City, Guangdong Province

E-mail: support@eazyrc.com
Web: www.eazyrc.com

declare under our responsibility that the product:

Type of Equipment: Driving System & 2.4GHz Control System

Brand Name: EAZYRC

Compatible for cars: 1/18 Chevrolet Colorado

Equipment Model: EZ11841RTRBK/EZ11841RTRRD/EZ11841RTRBU

to which this declaration relates is in conformity with the essential requirements and other relevant requirements of the Directive 2014/53/EU, EMC Directive 2014/30/EU, EMC Directive 2014/53/EU, FCC Identifier N4ZG4P00, EU RoHS Directive 2011/65/EU and Council Directive 2014/30/EU. The product is in conformity with following standards and/or other normative documents:

ETSI EN 301 489-1 V2.2.3(2019-11)

EN61000-3-2:2014

ETSI EN 301 489-17 V3.2.4(2020-09)

EN61000-3-3:2013

EN 55032:2015+A11:2020

EN : 62479:2010

EN 55035:2017+A11:2020

ETSI EN 300 328 V2.2.2 (2019-07)





产品名称: 1/18 科罗拉多大脚卡车

E-mail: support@eazyrc.com

Add: Yihe Center, Yihe Road 2, Beijiao Town, Shunde District, Foshan City, Guangdong Province

邮箱: support@eazyrc.com

地址: 广东省佛山市顺德区北滘镇怡和路2号怡和中心

MADE IN CHINA

