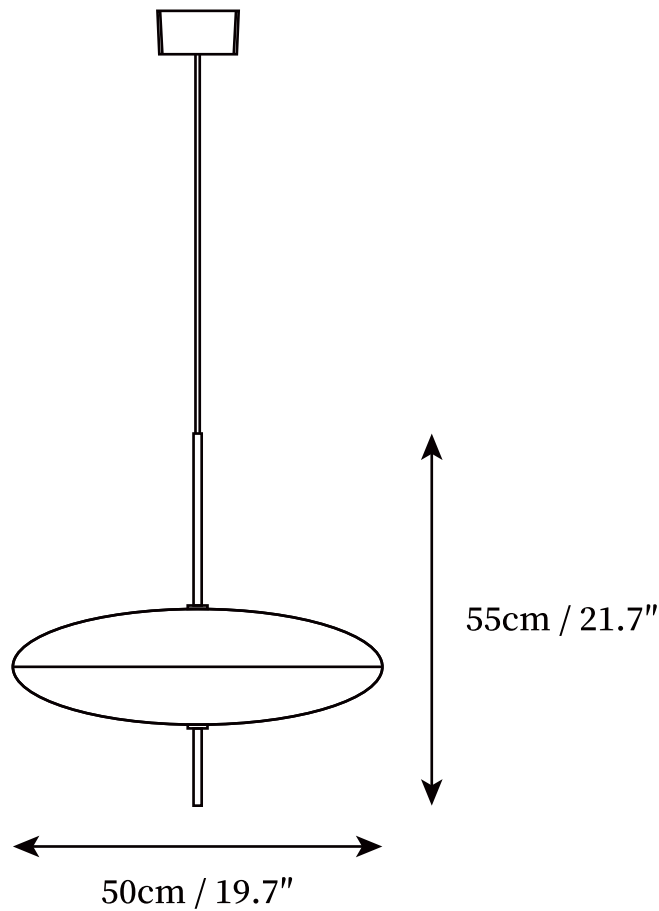


Model 2065 Pendant Lamp



SPECIFICATION SHEET



DESCRIPTION

Model 2065 consists of a diffuser made of two joined opalescent saucers, suspended from the ceiling with a black-painted aluminium canopy. The simplicity of designer elliptical design and the lightness of the materials make for a seemingly weightless luminaire.

SPECIFICATION DETAILS

*For custom options, consult factory for details

SUK	ML-538-1
Fixture Dimensions	D 19.7" x H 21.7"
Light source	E26 or E27 (bulb not included)
Wattage	MAX 40W incandescent bulb or LED equivalent.
Voltage	AC 110-240V
Mounting	Hardwired.
Dimming	Compatible with dimmable bulbs (bulb not included)
Control method	Compatible with common wall switches(not included)
Finishes	Black, White.
Shade Details	White.
Material	Metal, Plastic.
Wire Length	The standard length of the cord is 59" (150 cm), the length is adjustable.
Warranty	2 Years
Certification	UL, CE, CCC, ETL, SAA.

