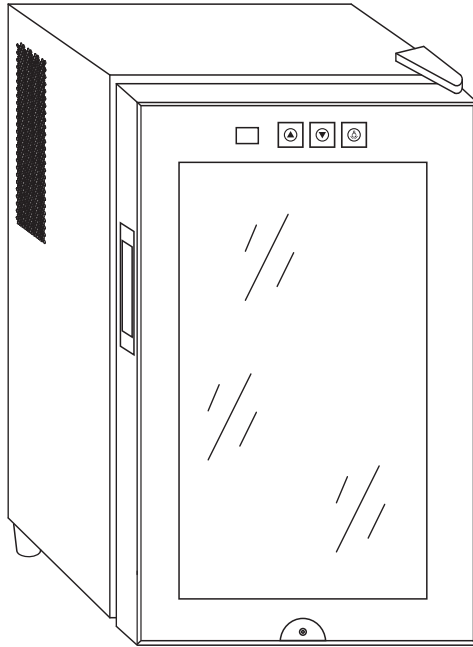


# INSTRUCTION MANUAL

## 18 Bottle Thermoelectric Wine Cooler



If you have any questions, please contact our professional after-sales team first, we will provide you with satisfactory solutions.

### **NEED HELP? CONTACT US!**

Have product questions? Need Technical Support? Please feel free to contact us.



Mail: [service@callsupports.com](mailto:service@callsupports.com)






Help Center: [Callsupports.com](http://Callsupports.com)



Phone : 1-888-968-7197

## NEED HELP? CONTACT US!

Have product questions? Need Technical Support? Please feel free to contact us.

 Mail: [service@callsupports.com](mailto:service@callsupports.com)  Help Center: [Callsupports.com](https://callsupports.com)  Phone : 1-888-968-7197

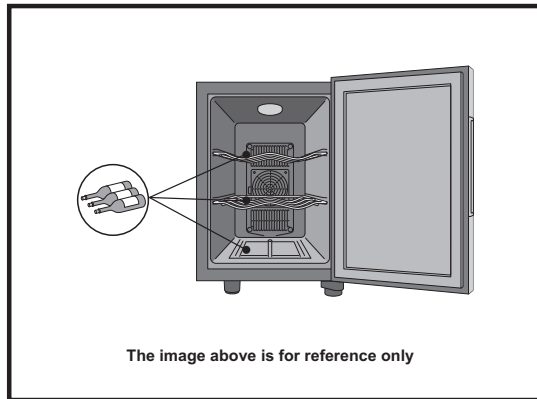
## IMPORTANT SAFEGUARDS

When using an electrical appliance, basic precautions should always be followed, including the following:

### READ ALL INSTRUCTIONS BEFORE USING THIS WINE COOLER

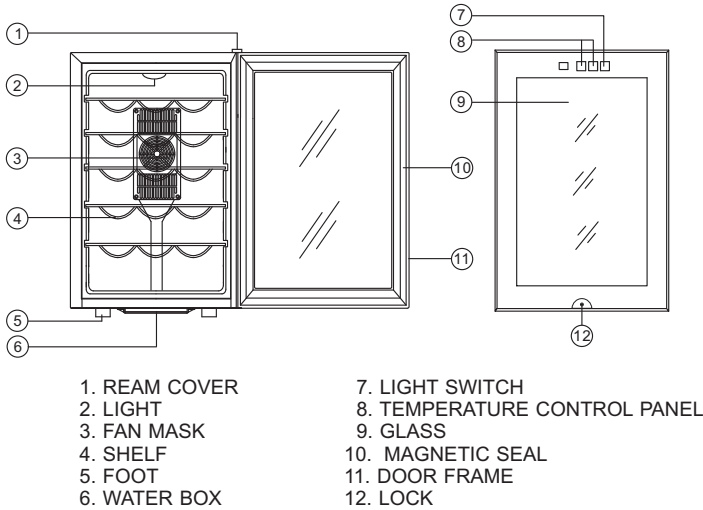
- **WARNING:** When positioning the appliance, ensure the supply cord is not trapped or damaged.
- **WARNING:** Do not locate multiple portable socket-outlets or portable power supplies at the rear of the appliance.
- Children aged from 3 to 8 years are allowed to load and unload refrigerating appliances.
- Children should be supervised to ensure that they do not play with the appliance.
- This appliance can be used by children aged from 8 years and above and persons with reduced physical, sensory or mental capabilities or lack of experience and knowledge if they have been given supervision or instruction concerning use of the appliance in a safe way and understand the hazards involved. Children shall not play with the appliance.
- Cleaning and user maintenance shall not be made by children without supervision.
- Do not use if supply cord is damaged. If damaged, It must be replaced by the manufacturer or a similarly qualified person in order to avoid hazard.
- This appliance is not intended for use by persons (including children) with reduced physical, sensory or mental capabilities, or lack of experience and knowledge, unless they have been given supervision or instruction concerning use of the appliance by a person responsible for their safety. Children should be supervised to ensure that they do not play with the appliance.
- Cleaning and user maintenance shall not be made by children without supervision.
- Ensure the cooler is unplugged before cleaning or if the cooler is not in use.
- To clean the cooler use only mild detergents or glass cleaning products. Never use harsh detergents or solvents.
- It is not recommended to use this wine cooler with an extension cord or power board. Please ensure that the appliance is plugged directly into the electrical outlet.
- When positioning the wine cooler, ensure that there is at least a 5cm clearance at the sides and a 10cm clearance at the back of the cooler as this is the main outlet for heat. This will allow for adequate ventilation.
- This cooler is designed to store wine bottles, however, if placing food inside, ensure that there is sufficient airflow between items.
- Do not place hot food or drink into the wine cooler before it cools down to room temperature.
- Close the cooler door immediately after putting in any items so the inside temperature will not rise dramatically.
- Keep appliance away from any heat source or direct sunlight.
- To fix stably, the appliance must be placed on a flat and solid surface. It should not be laid on any soft material.
- Do not place any other appliance on top of the wine cooler.
- The Wine Cooler is an electrical appliance. To avoid injury or death from electrical shock do not operate the Wine Cooler with wet hands, while standing on a wet surface or while standing in water.
- Do not use outdoors or in wet conditions.
- The appliance shall not be exposed to rain.
- When positioned or if moving the appliance ensure that it is not set horizontally or declined less than 45° or turned upside down.
- Never pull the cord to disconnect it from the outlet. Grasp the plug and pull it from the outlet.
- Never lift or carry the Wine Cooler by the cord.
- Keep the cord away from heated surfaces.
- This Wine Cooler is for household use only. Any other use will void the warranty.

- Do not plug into the power socket before set up is completed.
- An empty cooler can be a dangerous attraction to children. If disposing of the cooler remove gaskets, latches, lids or the entire door from your unused appliance, or take other action to ensure the cooler is harmless.
- Do not store food in your wine cooler as interior temperature may not get cool enough to prevent spoilage. In summer months or areas of high humidity, the glass door may build up moisture. To remove the moisture, wipe it away.
- Zone illustration :



- To avoid contamination of food, please respect the following instructions:
  - Opening the door for long periods can cause a significant increase of the temperature in the compartments of the appliance.
  - Clean regularly surfaces that can come in contact with food and accessible drainage systems.
  - Clean water tanks if they have not been used for 48 h; flush the water system connected to a water supply if water has not been drawn for 5 days.
  - The appliance shall not be exposed to rain.
- DANGER: Risk of child entrapment. Before you throw away your old refrigerator or freezer:
  - Take off the doors.
  - Leave the shelves in place so that children may not easily climb inside.

## 1. Structure

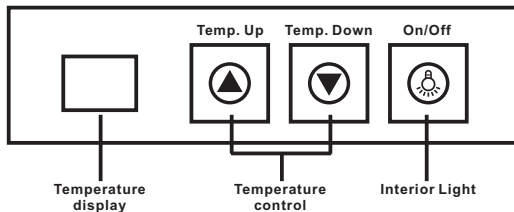


## 2. Operation Guide

1. Insert the power plug into the power socket. Make sure the power socket is 110-120V AC/60Hz.
2. Allow the empty wine cooler to operate for approx. one hour. This will allow the wine cooler to reach the desired temperature.
3. Fill the wine cooler with your choice of wine bottles. Allow 1-2 hours of operation before the bottles reach the desired temperature.

## 3. Temperature Control

To control the internal temperature, adjust the temperature control panel and light switch.



The temperature range for Wine Cooler is 54°F-66°F. When the temperature is set on one certain point and the temperature inside reaches this point, the automatic temperature control system begins to work and the cooling system goes into linear temperature keeping status.

## 4. Cooling speed

The temperature inside can be cooled to 54°F in 2hours (with the unit empty). When the temperature control is adjusted, the temperature will be balance again in a certain period. The range of the change and the temperature of the environment determine this period.

## 5. How to clean

Disconnect the power supply before cleaning and maintenance.

**Cleaners:** Never use harsh, abrasive cleaners, heavy-duty cleaners, or solvents on any surface.

**Exterior:** Wipe with damp, sudsy cloth, rinse and dry. For stubborn stains and for periodic waxing, use silicon wax.

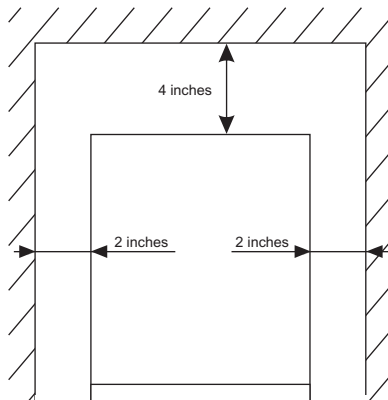
**Refrigeration Section:** Wash shelves and other removable parts in warm sudsy water, rinse and dry. Wash interior with baking soda solution (3 tablespoons to liter of water) or warm sudsy water, rinse and dry.

**Magnetic Door Seals:** Wash with warm sudsy water.

**The Finishing Touch:** Replace all parts and return thermostat dial to desired setting.

## 6. How to install

- Install cooler in a convenient location away from extreme heat and cold. Allow sufficient clearance between the cooler and side wall so the door will open without obstruction. Cooler is not designed for recessed installation.
- Select a space with strong level floor.
- Never place the appliance with the front edge along the edge of a table top or shelf, because there is a risk of the appliance tipping forwards and falling if the door compartments is overloaded. Take care to ensure that there is sufficient space in front of the appliance so that when opening the door, the door lies on the storage storage surface when the appliance is tipped.
- Allow 2 inches (5cm) of space between the cooler's side & wall and 4 inches (10cm) between back & the wall.



## POWER CORD REPLACEMENT

If the Wine Cooler's power cord is damaged, have it replaced by a qualified repair agent.

## 7. Troubleshooting

Symptoms	Possible causes	Solutions
The wine cooler does not work.	There is a power failure. A house fuse has blown.	Ensure the cooler is plugged in and the power socket is turned on. Replace the broken fuse in your meter box.
Wine cooler is not reaching the desired temperature	The cooler is placed too close to a heat source No sufficient ventilation The door is opened too frequently or for a long period of time	Keep the cooler away from sunshine or other heat sources Place the wine cooler in good ventilation and keep any items away from the fans. Close the door tightly and do not open the door too frequently or for a long period of time.
Frost forming in the wine cooler	Too much humidity. The ambient temperature is too low	Unplug to defrost, plug again after the frost thaws.

## Disposal of the appliance



This marking indicates that this product should not be disposed with other household wastes throughout the local government. To prevent possible harm to the environment or human health from uncontrolled waste disposal, recycle it responsibly to promote the sustainable reuse of material resources. To return your used device, please use the return and collection systems or contact the retailer where the product was purchased. They can take this product for environmental safe recycling.

## 8. Technical data:

Model No.	JC-48GP
Volume	48L
Rated Voltage	110-120V AC
Rated Frequency	60Hz
Temperature Range	54-66°F
Climate Type	SN N
Input Power	70W

### NEED HELP? CONTACT US!

Have product questions? Need Technical Support? Please feel free to contact us.



Mail: [service@callsupports.com](mailto:service@callsupports.com)



Help Center: [Callsupports.com](https://callsupports.com)



Phone : 1-888-968-7197