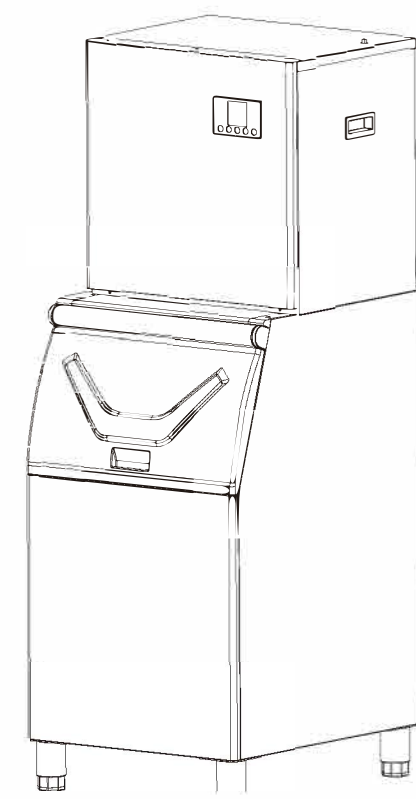


Commercial Ice Machine Instruction Manual



CIM-2100F

To ensure proper use and for your safety, please read the following instructions completely before operating this appliance.

NEED HELP? CONTACT US!

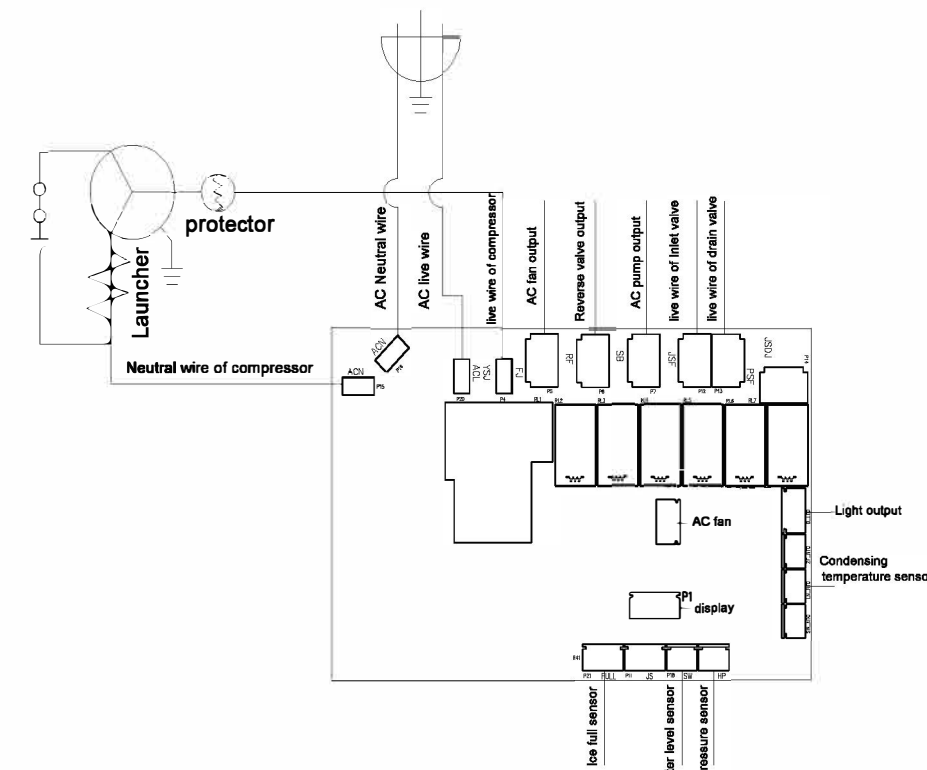
Have product questions? Need Technical Support? Please feel free to contact us.

After-sales e-mail: service@callsupports.com

After-sales website: Callsupports.com

+1 888-968-7197 (US) 9AM - 6PM EST

Circuit diagram



Warranty

Note: the gas discharged from the ice machine is easy gas, the disposal of these gas, should comply with the relevant regulations.

Warranty information:
 *Warning: maintain ventilation. Keep the air clear outside and inside the machine.
 *Warning: do not break the refrigerant pipe.
 The warranty only covers damage caused by defects in the material or technology itself. For repairs within the warranty period, please come to the authorized service center and bring the original invoice.

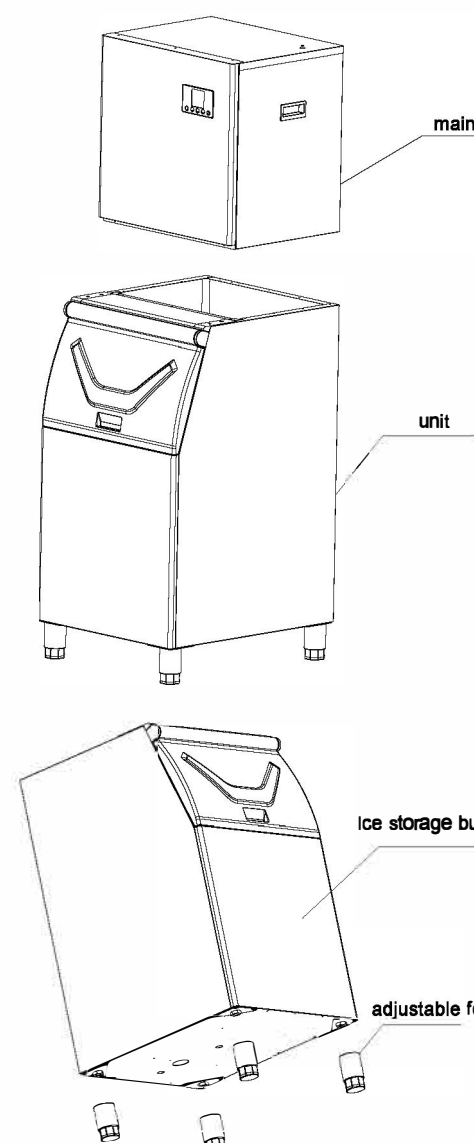
Failure to guarantee:

- Wear and tear
- Incorrect use. For example: overload, use of non-standard accessories.
- Intentional injury.
- Damage caused by non-compliance with the user's manual. For example, an inappropriate point source is connected.
- Partial or complete removal of equipment.

9

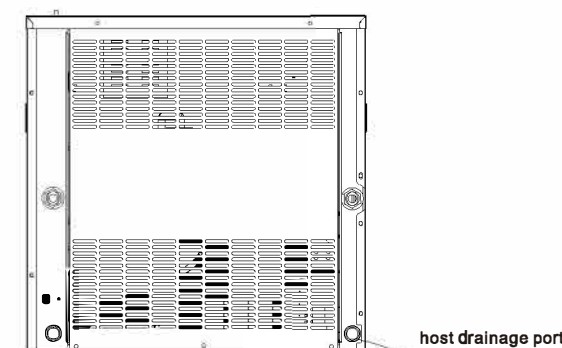
Machine introduction

- Screw the 4 adjustable feet in the accessories into the main body of the ice storage bucket. Note: The adjustable foot should be tightened, not loose.
- Place the ice storage bucket on a level ground and place the main unit above the ice storage bucket. Note: After placing it, the machine must not shake.



2

The main unit is connected to the drain outlet of ice storage bucket: When placing the main unit on the ice storage bucket, the drain outlet under the main unit needs to be aligned with the hole which in the drain baffle position on the storage refrigerator



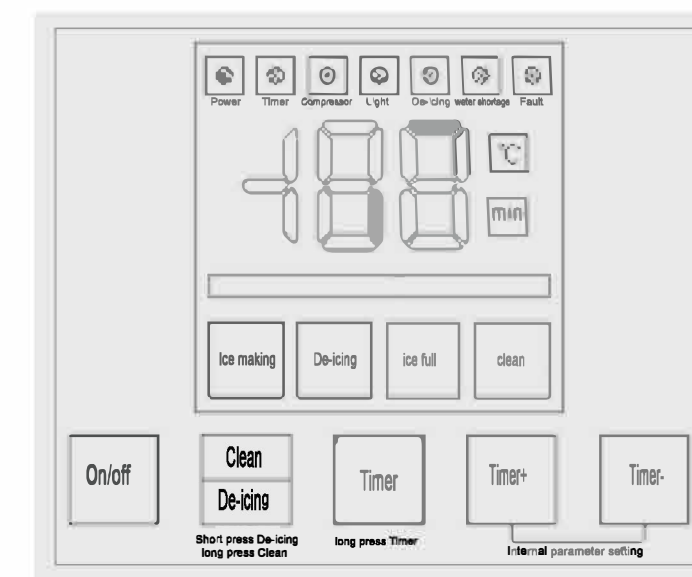
Connection between water pipe and faucet: connect the 4/8 inch PE (in the accessories) to the filter, and then connect the 4/8 inch internal thread connector to the faucet (the factory does not provide a faucet), the water source is required to reach 0.04~0.5Mpa, if the water pressure exceeds 0.8MPa, a pressure reducing valve needs to be added (only for external faucet use)

Technical Parameters

MODEL	CIM-2100F
PROTECTION	110V/60Hz
RATED VOLTAGE	I
CLIMATE TYPE	N
RATED COOLING CURRENT	9.37A
POWER	1033W
REFRIGERATION	R410/395g
TYPE OF COOLING	AIR
FOAMING AGENT	62kg

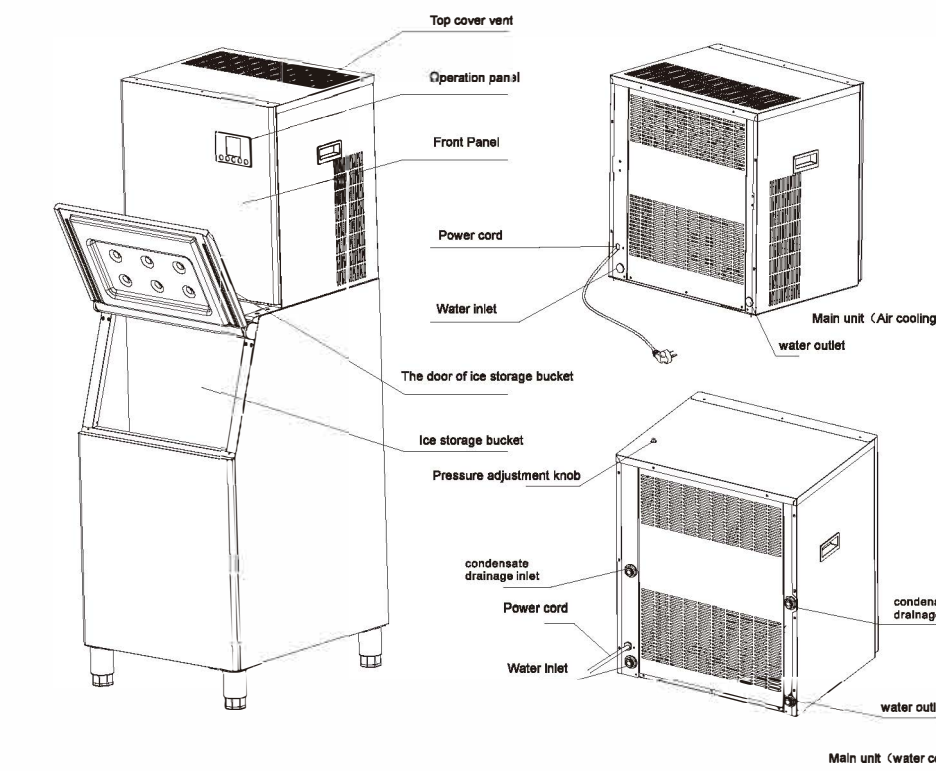
7

Operation steps



- On/off:** Press once to turn on and off
Clean/ De-icing : when not working, press once to start cleaning the ice tray, when working, press once to start De-icing function, enter the next round after de-icing
Timer :
 Long press to enter timer mode
 When the display is set to H, it is the timing display of power-on or shutdown time, when the display is M, it is the display of the ice-making time setting
Timer+/Timer- :
 Adjust the time of timer, the initial value is 1, each press increases or decreases by one hour
Non-timer mode:
 Adjust the ice making time, the initial value is 0, each press increases or decreases by one minute
LCD display
 1. Ambient temperature display and ice-making time countdown display, when M is displayed, it is the ice-making time countdown display, when C is displayed, it is the ambient temperature display
 2. The ice making and de-icing symbols are displayed, the ice is making when the symbol is rotating, and the ice is being removed when the symbol is flashing
 3. Automatic cleaning symbol display
 4. Switch machine symbol display
 5. Water in and water shortage display. The arrow flashes to indicate that the machine is water in, and the symbol is always on to indicate that the machine is water shortage.
 6. The machine alarms when the ice is full, and the machine automatically makes ice again after taking out the ice

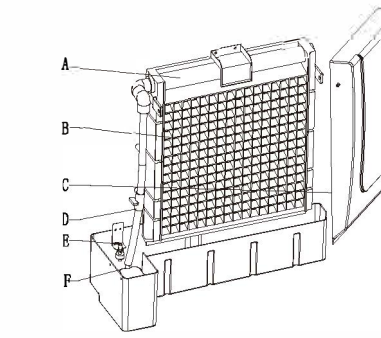
4



Main unit accessories :10inch filter bottle ,10inch PP filter ,1/4"PE pipe ,1/4"internal thread connector , 1/4" external thread connector 2pcs
 Ice storage bucket accessories : Drain pipe assembly , ice scoop , adjustable feet 4pcs , PTEE thread seal tape 1pc , sealant 1pc

Main body of ice making and water tank

- Water distribution pipe: have small holes, water flows out of the small holes when making ice
- Ice tray
- Ice full detection board: used for stopping the ice when it full and judging whether the deicing is finished
- Water supply port
- Level Switch
- Pump



3

Fault code table

Code	fault conditions	Solution
E1	Condensation sensor failure	Check the condensation sensor
E2	Evaporation sensor	Check the evaporation sensor
E3	Environmental sensor failure	Check the environmental sensor
E4	Deicing timeout fault	Check the thickness of ice cubes Check if the magnetic control switch is normal
E5	High temperature fault	Check if the fan is working properly Check if the heat dissipation port is blocked

8

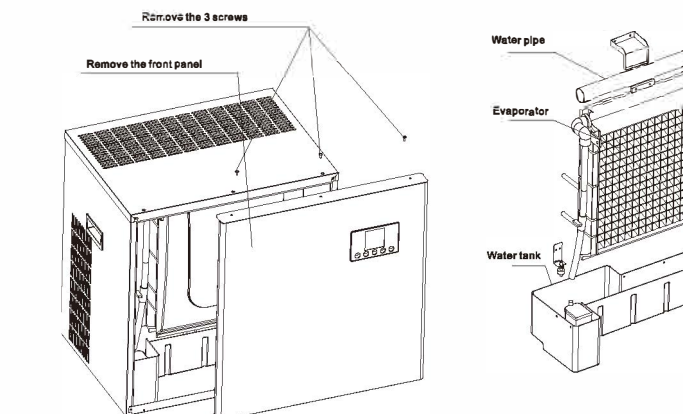
Important Safety Instructions

When you use electrical appliances, you should follow basic safety precautions, which can reduce the frequency of fire and electric shock, and reduce the risk of harm to people's property. So please read the instructions before using any electrical appliances.

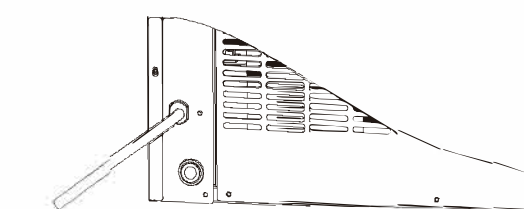
- Do not use ice machines or other devices with damaged wiring. Do not use mechanical equipment or other tools to accelerate the thawing process, except those recommended by the manufacturer.
- If the power cord is damaged, in order to prevent danger, it must be replaced by the manufacturer or service agent or an equivalent qualified person. The ice maker must be placed so that it can be connected to the power source.
- Do not put the power cord on carpet or other insulation materials. Do not cover the power cord with debris. Keep it away from the debris area. Do not put the power cord in water. We do not recommend using an extension cord because it may heat up and cause fire. If you must use extension cord, please use a power cord with a thickness of at least 0.75 square millimeters or above 18 gauge, and a power cord with a rated voltage above 6A/250V. This equipment must be grounded.
- Please unplug the ice machine before cleaning or performing any repairs, and wipe the shell with a dry soft cloth to prevent liquid from flowing into the machine.
- Be cautious when children are around the machine.
- Do not use the ice machine outdoors. Keep it away from sunlight, and make sure that there are at least 6 inches of space around it.
- Do not use liquid other than drinking water to make ice cubes.
- Do not use flammable liquids to clean the ice machine, which may cause fire or explosion.
- In order to avoid the danger caused by the instability of the machine, it must be placed on a level surface.
- If the machine is used in winter, it must be restored to room temperature before it can be turned on for normal use.
- People with poor health, poor sensory or mental abilities, and inexperienced people (including children) are not suitable for using this device, unless they are under the supervision or guidance of a guardian.
- Supervise children to ensure that they do not play with the device.
- Please dispose of the flammable gas of refrigerant and blowing agent according to the relevant local regulations. To discard the ice machine, please send to the recycle bin to prevent children from getting it.

IMPORTANT:
 Power Circuit Wiring Color Codes
 Green and Yellow: Ground Wire
 Blue: Charged
 Brown: Charged

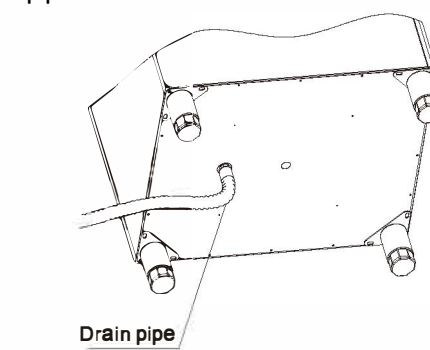
1



The connection between the water pipe and the machine: (as shown in Figure A below) tear off the water supply interface tape at the back of the machine, and insert the white water pipe which in the accessory to the hole. To complete the connection between the water pipe and the machine



Drain pipe connection: screw the white drain pipe (in the accessory) into the drain port which at the bottom of the ice storage bucket, and connect the other end of the white drain pipe to the sewer pipe



6

Preparation before use / water connection

Take out the machine

- Open the package, remove the carton, packaging bag and foam, remove the fix tape, check and read the instructions, whether the accessories are missing. If there is any loss, please contact our after-sales service
- The power socket of the machine must have a reliable grounding, and a separate plug is required to supply power to the machine
- Install 4 adjustable feet on the ice storage bucket, and then place the main unit on it. The environment of the machine needs to be well ventilated and the ambient temperature is relatively low. The distance between the air outlet and the barrier is required to be at least 20cm, The distance between the two sides and the barrier is at least 5cm
- Keep this machine unplugged and upright for 24hours in case of compressor malfunction

Cleaning machine

The new machine must be cleaned before use

- Open the door of the ice storage bucket
- When cleaning, you can use neutral detergent, warm water and soft cloth
- Clean the tank of the ice storage bucket until it is clean. It is recommended to discard the first ice cubes
- Wipe with a damp cloth and then dry with a dry cloth

During the use of the machine, clean and maintain the ice machine regularly

- Repeat the above steps to clean the tank of the ice storage bucket
- Especially for the cleaning of the water distribution pipe which on the upper part of the evaporator, when it is found that the compressor and water pump are operating normally, but some ice cubes are not perfect, usually because of the flowing water too little or no water flow, please remove the water distribution pipe for cleaning, The operation steps of cleaning the water distribution pipe are shown in the figure below, The power must be disconnected before cleaning.
- For the cleaning of the evaporator and the inside of the water tank, the cleaning cycle is related to the water quality. After cleaning, it is conducive to the normal pumping of the machine water pump.
- When there are ice cubes on the evaporator, and the adhesion is very strong, do not use forced prying, you can press the de-icing button during ice making, and then shut down the machine after the de-icing is over. Clean it again.

5