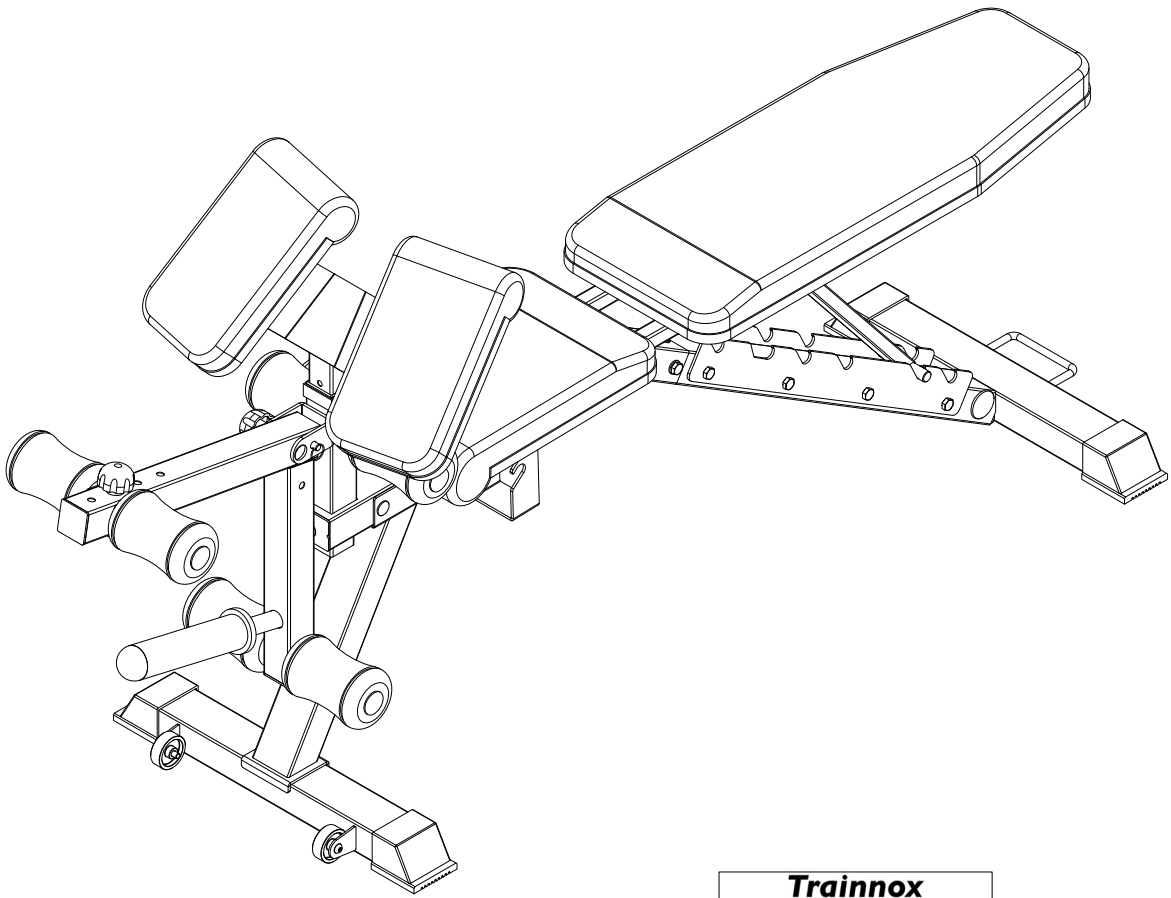
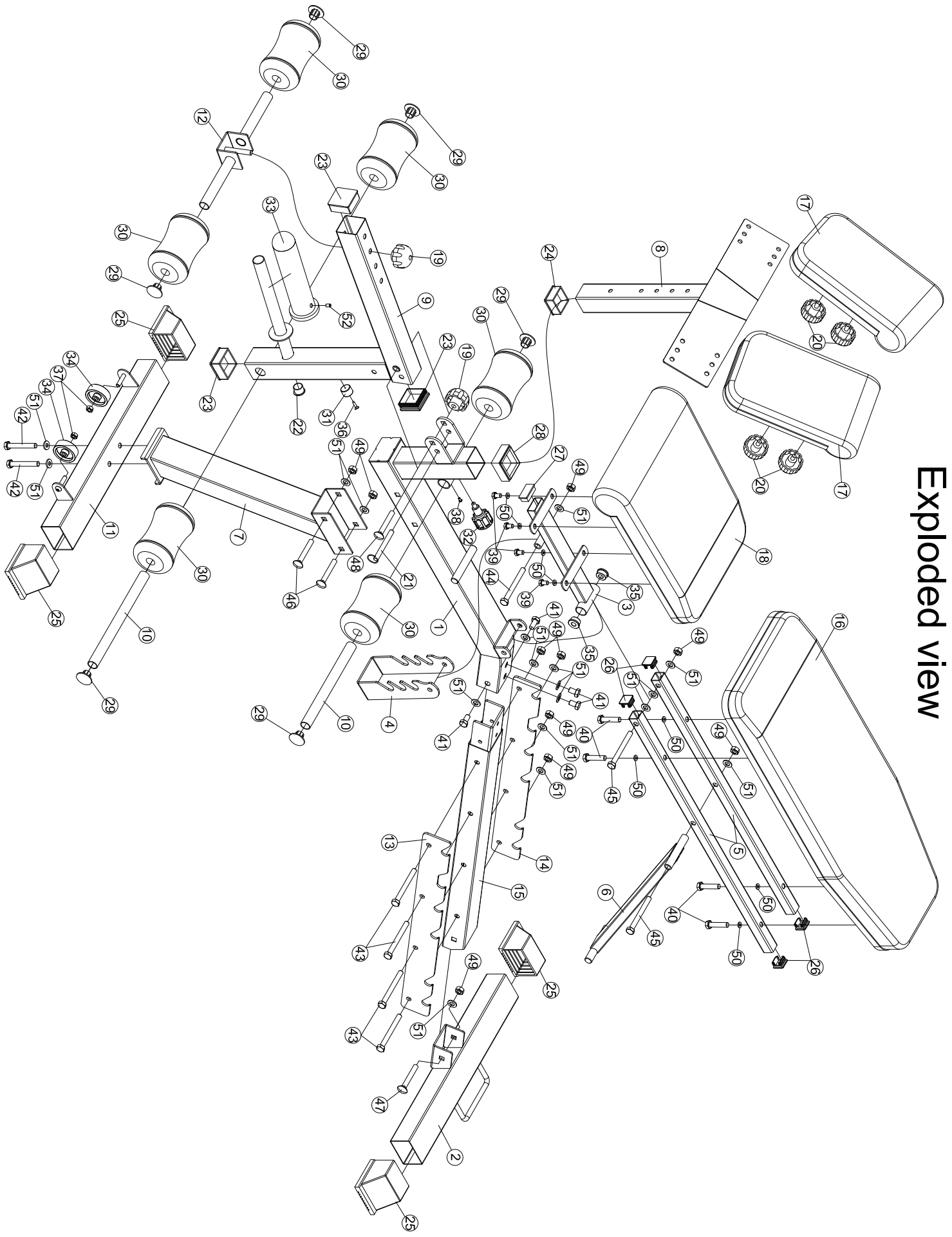


Weight bench pro (Only at trainnox.com)

USER'S MANUAL



Scan the QR code, share your experience and get extra gifts.
If have any question or need, please feel free to email support@trainnox.com.

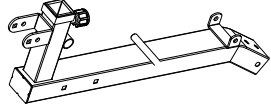
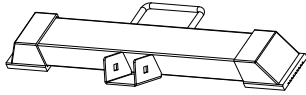
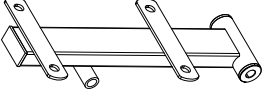
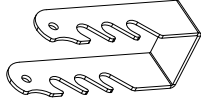


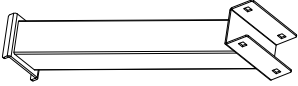
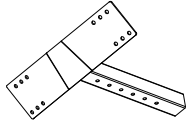
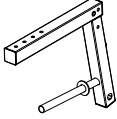

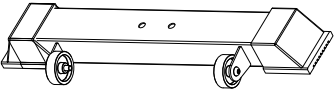
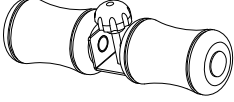
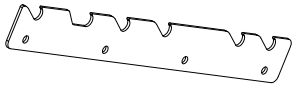
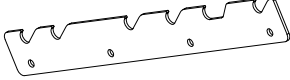
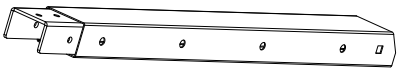
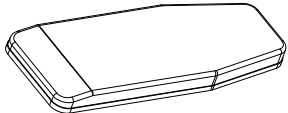
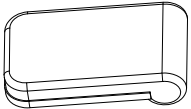
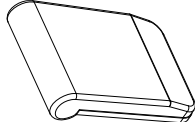




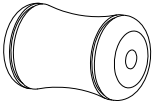
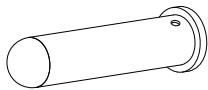
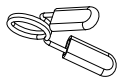
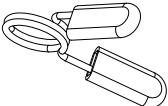


Exploded view

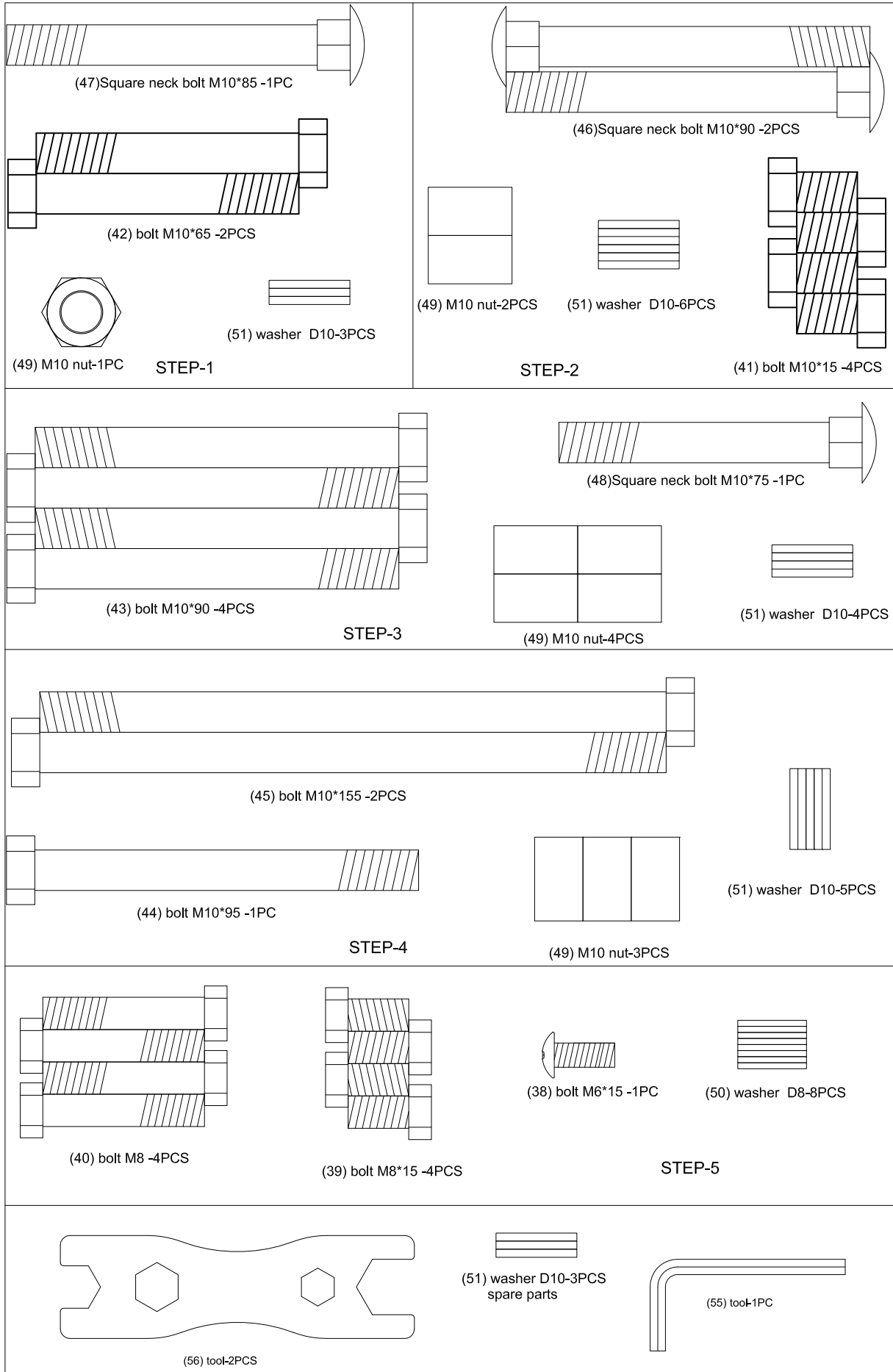
PARTS LIST

No.	DESCRIPTION	Qty	No.	DESCRIPTION	Qty
1	Main Frame Assembly	1	33	Adapter Tube	1
2	Rear Leg Tube Assembly	1	34	Caster Wheel	2
3	Seat Tube Assembly	1	35	Powder Metallurgy Bushing	2
4	Seat Height Adjustment Plate	1	36	Self-Tapping Screw ST4.2*19	1
5	Backrest Tube	2	37	Nut M8	2
6	Backrest Support Assembly	1	38	Hex Socket Button Head Screw M6*15	1
7	Support Tube Assembly	1	39	Bolt M8*15	4
8	Armrest Tube Assembly	1	40	Bolt M8*40	4
9	Foot Hook Tube Assembly	1	41	Bolt M10*15	4
10	Foam Tube	2	42	Bolt M10*65	2
11	Front Leg Tube Assembly	1	43	Bolt M10*90	4
12	Foam Tube Assembly	1	44	Bolt M10*95	1
13	Left Backrest Support Plate	1	45	Bolt M10*155	2
14	Right Backrest Support Plate	1	46	Square neck bolt M10*90	2
15	Main Frame Connection Assembly	1	47	Square neck bolt M10*85	1
16	Backrest	1	48	Square neck bolt M10*75	1
17	Armrest	2	49	Nut M10	10
18	Seat Cushion	1	50	Washer D8	8
19	Knob M10	2	51	Washer D10	18
20	Knob M8	4	52	Bolt M8*10	1
21	Pin D10	1	53	Spring clip D25	1
22	Round End Cap D25	1	54	Spring clip D50	1
23	Square Tube End Cap 50*50	3	55	Hex wrench S4	1
24	Square Tube End Cap 45*45	1	56	Open-ended wrench	2
25	Square Tube End Cap 50*70	4			
26	Square Tube End Cap 25*25	4			
27	Square Tube End Cap 20*40	1			
28	50 to 45 Tube Bushing	1			
29	Foam Cover	6			
30	Foam	6			
31	Cushion Pad	1			
32	Elastic Pin	1			

Package

1 x1pc		2x1pc			
3x1pc		4x1pc			
5x2pcs		6x1pc			
7x1pc		8x1pc			
9x1pc		10x2pcs			
11x1pc		12x1pc			
13x1pc		14x1pc			
15x1pc		16x1pc			
17x2pcs		18x1pc			
19x1pc		20x4pcs		21x1pc	
29x4pcs		30x4pcs		33x1pc	
53x1pc		54x1pc		Hardware pack x1	

Hardware pack

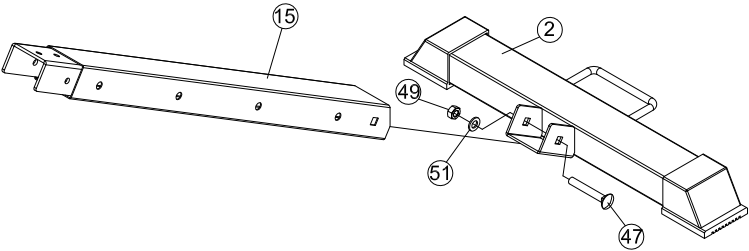
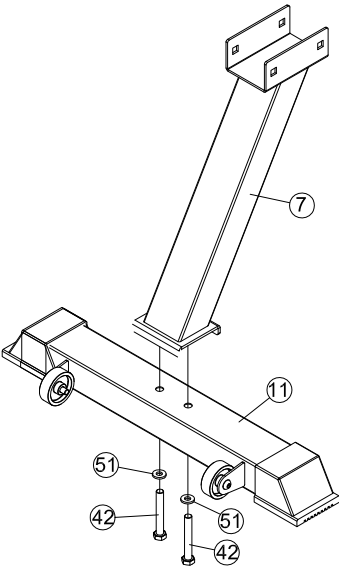


Installation instructions

Step 1

1. First, attach the Support Tube Assembly (7) to the Front Leg Tube Assembly (11) using Screw M10*65 (42) and Flat Washer D10 (51).

2. Attach the Main Frame Connection Assembly (15) to the Rear Leg Tube Assembly (2) using Hex Socket Button Head Screw M10*85 (47), Nut M10 (49), and Flat Washer D10 (51).



56		x1
47		x1
42		x2
49		x1
51		x3

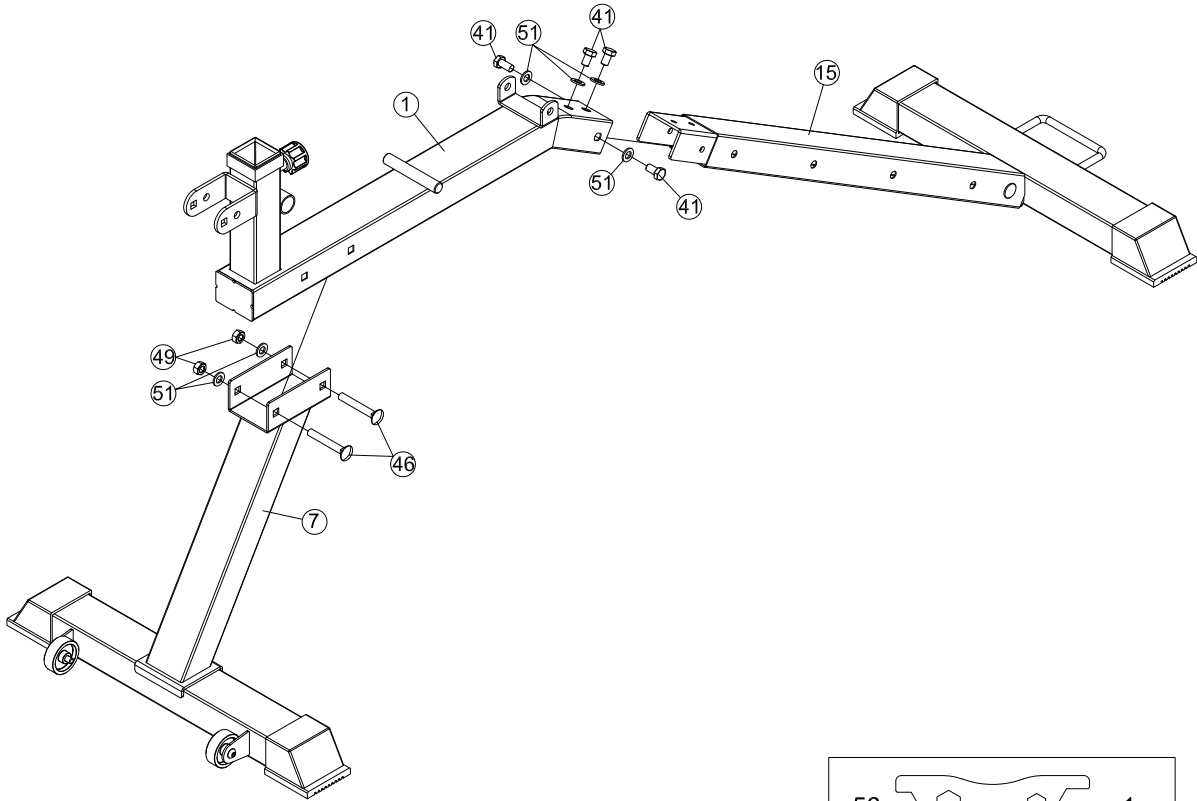
Installation instructions

Step 2

1. First, insert the Main Frame Connection Assembly (15) into the Main Frame Assembly (1), then secure it using Screw M10*15 (41) and Flat Washer D10 (51).

2. Attach the Support Tube Assembly (7) to the Main Frame Assembly (1) using Hex Socket Button Head Screw M10*90 (46), Nut M10 (49), and Flat Washer D10 (51).

Note: Ensure to fully tighten all screws and nuts during this pre-assembly.

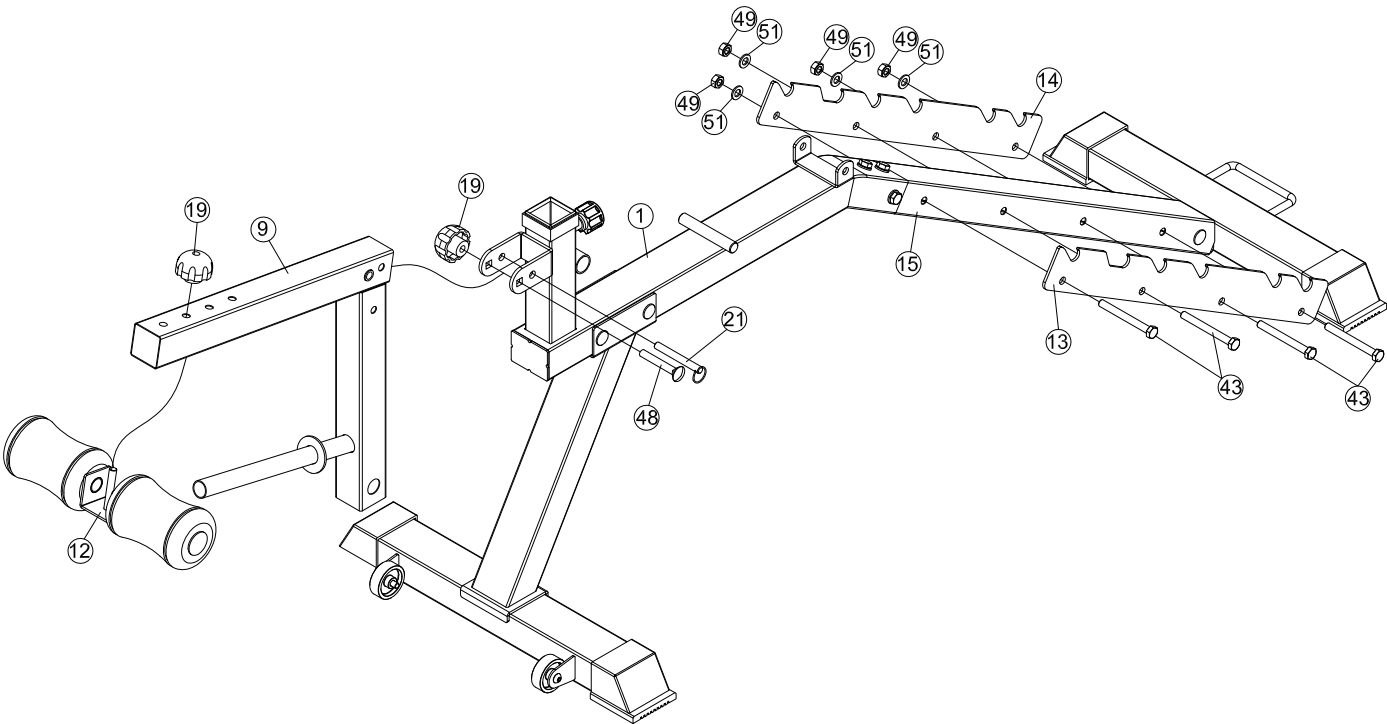


56		x1
46		x2
41		x4
49		x2
51		x6

Installation instructions

Step 3

1. First, attach the Left and Right Backrest Support Plates (13, 14) to the Main Frame Connection Assembly (15) using Screw M10*90 (43), Flat Washer D10 (51), and Nut M10 (49).
2. Attach the Foot Hook Tube Assembly (9) to the Main Frame Assembly (1) using Hex Socket Button Head Screw M10*75 (48) and M10 Knob (19), then insert the Pin D10 (21).
3. Attach the Foam Tube Assembly (12) to the Foot Hook Tube Assembly (9) using the M10 Knob (19).



56		x2
43		x1
48		x4
49		x4
51		x4

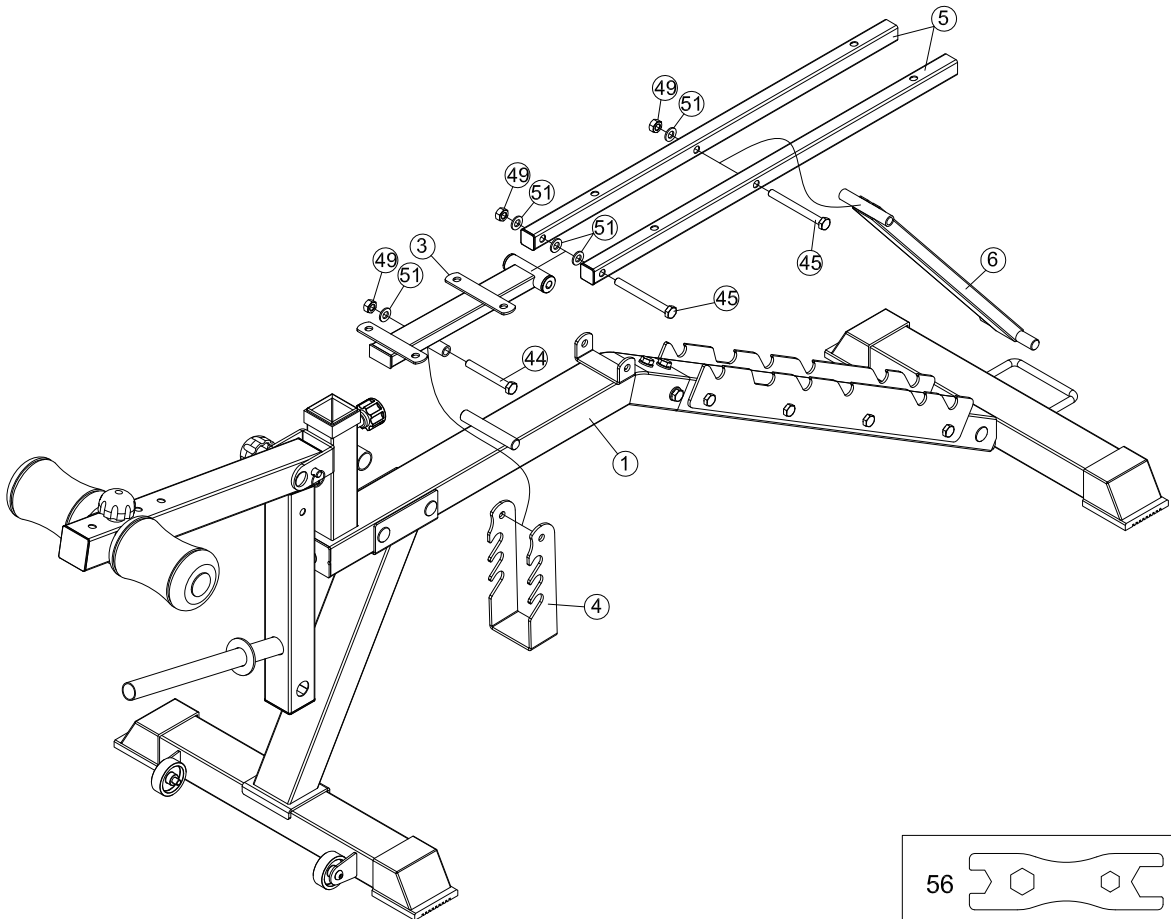
Installation instructions

Step 4

1. First, attach the Seat Tube Assembly (3) and Backrest Tube (5) to the Main Frame Assembly (1) using Screw M10*155 (45), Flat Washer D10 (51), and Nut M10 (49).

2. Attach the Backrest Support Assembly (6) to the Backrest Tube (5) using Screw M10*155 (45), Flat Washer D10 (51), and Nut M10 (49).

3. Attach the Seat Height Adjustment Plate (4) to the Seat Tube Assembly (3) using Screw M10*95 (44), Flat Washer D10 (51), and Nut M10 (49).



56		x2
44		x1
45		x2
49		x3
51		x5

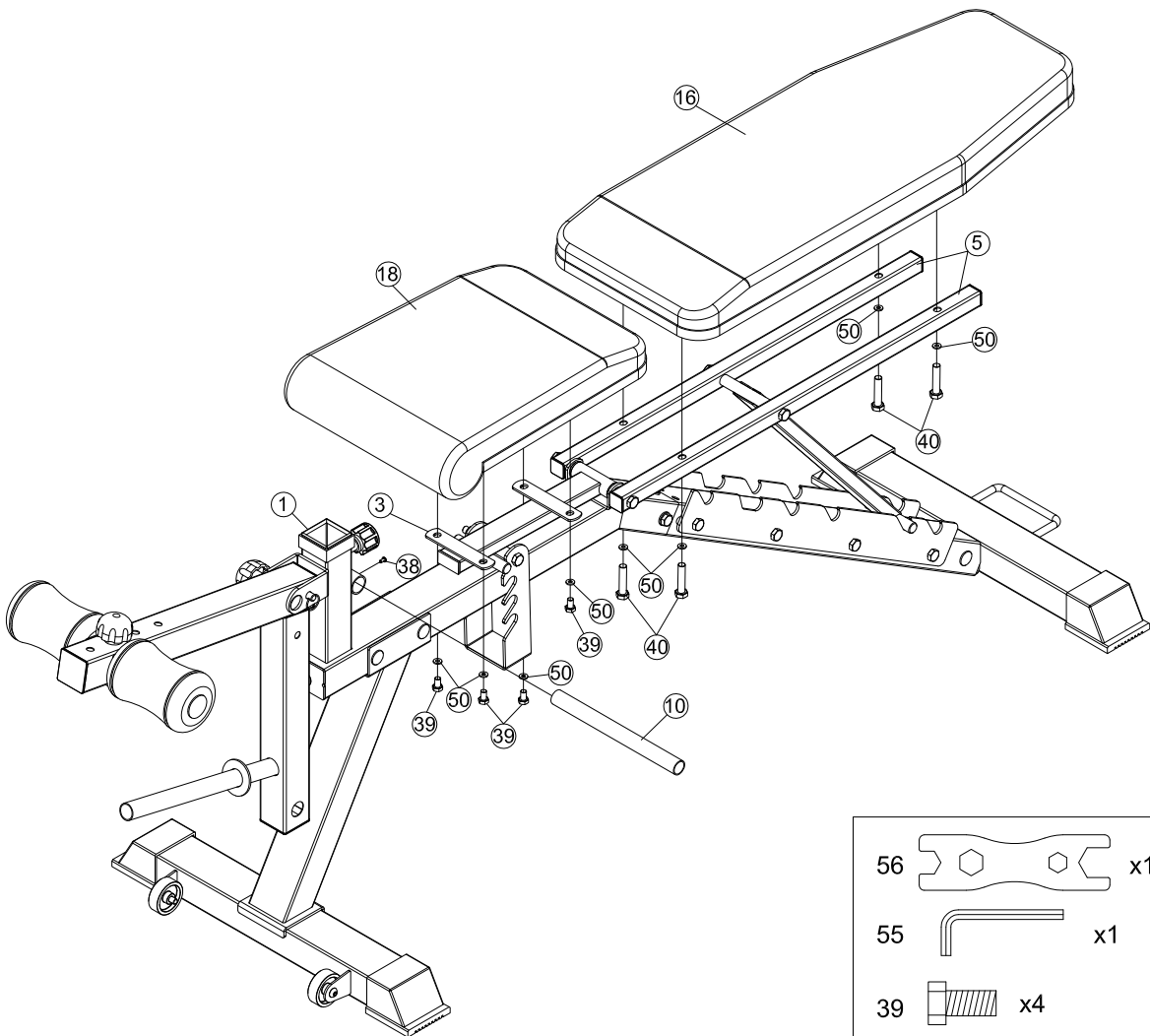
Installation instructions

Step 5

1. First, as shown in the diagram, insert the Foam Tube (5) into the Main Frame Assembly (1), then secure it using Hex Socket Button Head Screw M6*15 (38).

2. Attach the Seat Cushion (18) to the Seat Tube Assembly (3) using Screw M8*15 (39) and Flat Washer D8 (50).

3. Attach the Backrest (16) to the Backrest Tube (5) using Screw M8*40 (40) and Flat Washer D8 (50).



56		x1
55		x1
39		x4
40		x4
38		x1
50		x8

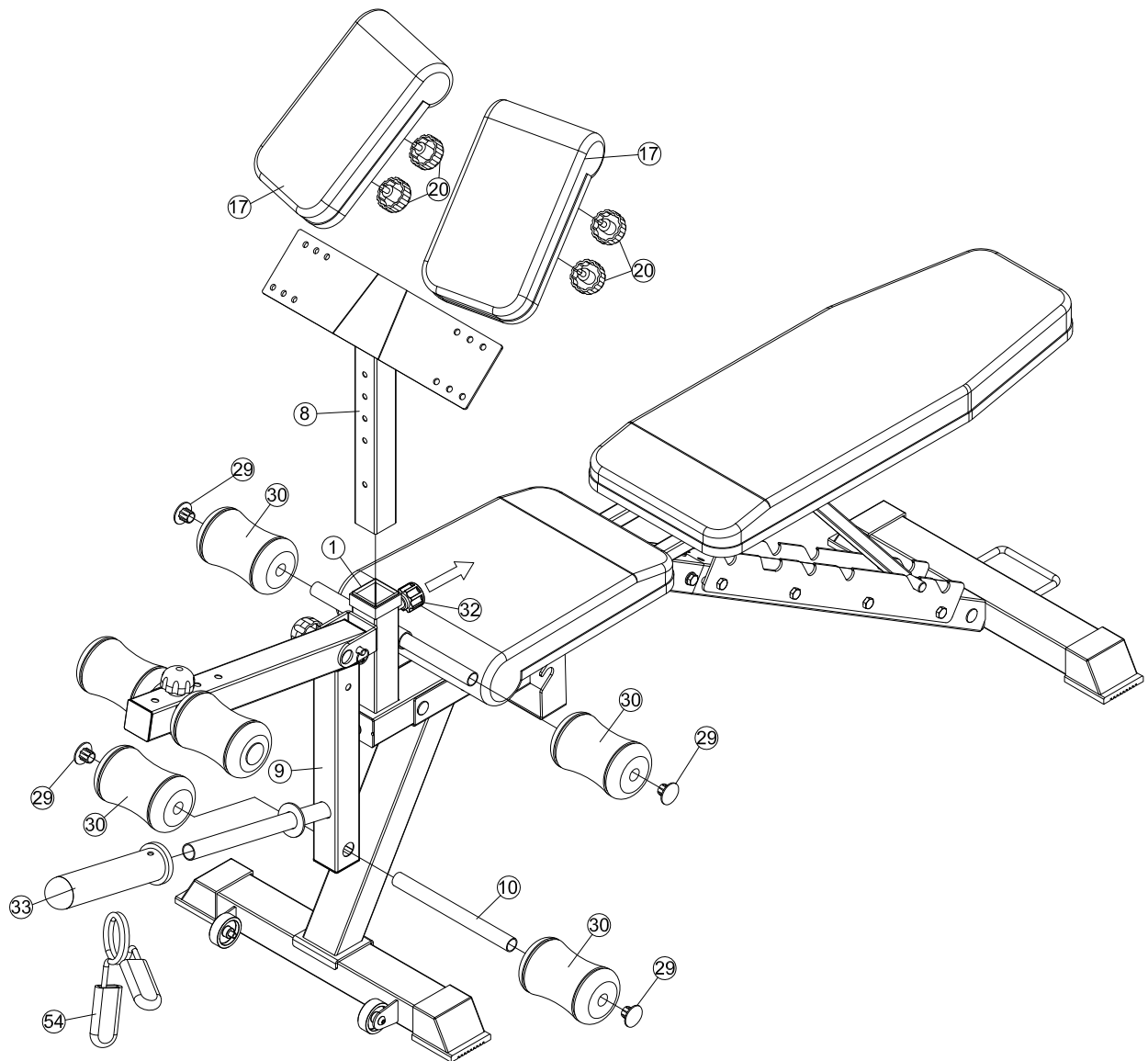
Installation instructions

Step 6

1. First, as shown in the diagram, pull out the Elastic Pin (32) and insert the Armrest Tube Assembly (8) into the Main Frame Assembly (1). Then, secure the Armrest (17) to the Armrest Tube Assembly (8) using the M8 Knob (20).

2. As shown in the diagram, insert the Foam (30) into the Foam Tube (10), then press the Foam Cover into both ends of the Foam Tube (10).

3. Insert the Adapter Tube into the Foot Hook Tube Assembly (9) as shown in the diagram.



WHY CHOOSE US?

- 1.Our first-of-its-kind two-piece preacher curl pad is more ergonomic and comfortable for your workouts.**
- 2.You can adjust Back Positions, Seat Positions, Leg Extension and curl pad distance according to your needs.**
- 3.Fit 25 mm/5mm (inner bore) weight plates.**

Note: Please read the warning signs on the dumbbell bench carefully before use to avoid injury!