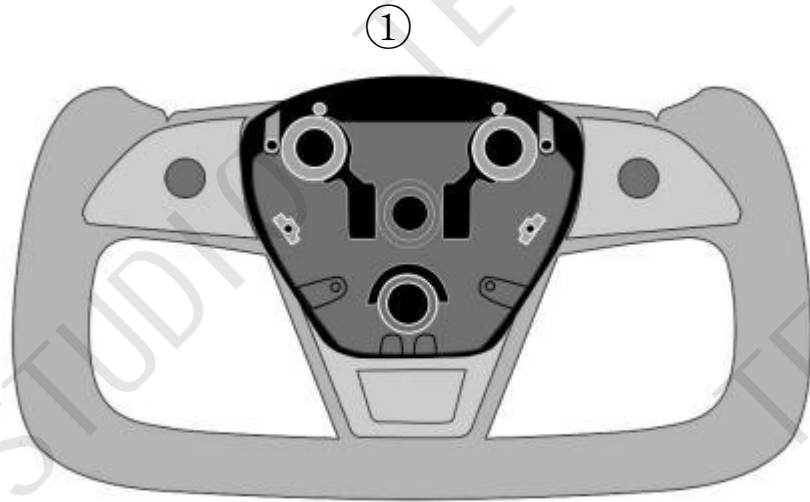


Parts list diagram



①	YOKE steering wheel		

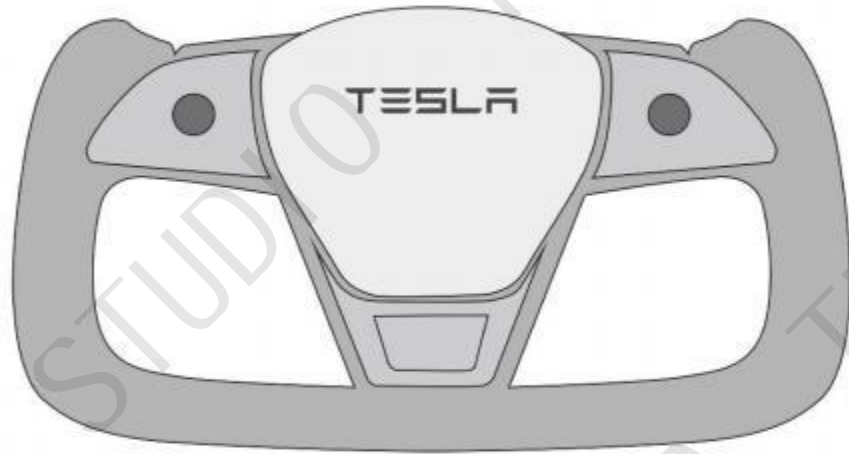
a. Tools Required for Installation

Trim removal tools, T20 and T10 Screwdriver, H10 Socket, Phillips Screwdriver, Socket Wrench

b. Inatallation Notes

Caution: Please ensure power off operation to prevent airbag failure

Tips: Be sure to read the instrctions carefully for faster installation.



Model 3/Y Yoke-S/X style steering wheel

Product feature:

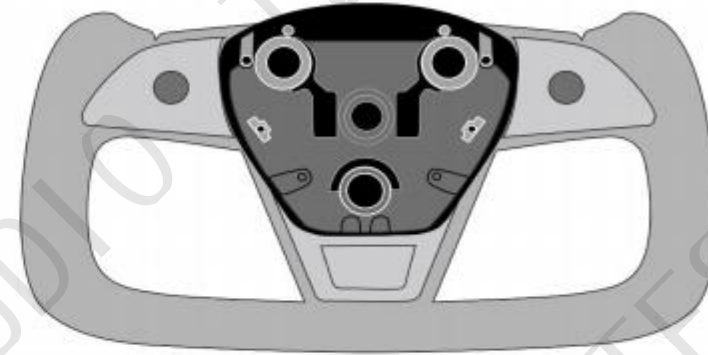
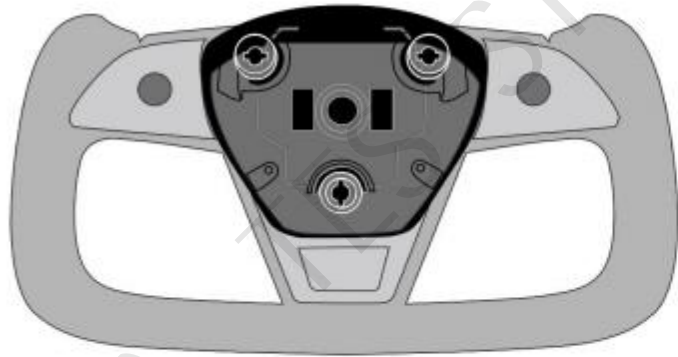
1. Installation: special car, non-destructive installation, does not affect the original car function
2. Experience: three-dimensional design, visual improvement, broad vision
3. Material: Real carbon fiber material, feel smooth without slipping embroidery tailor craft (hand-crafted), luxury NAPPA leather material, deep breathable, delicate texture, soft and luxurious, wear-resistant and aging resistant
5. Function: retain the original heating function (original factory support)
6. Style Color: a variety of fashion colors are optional (optional)

Product description:

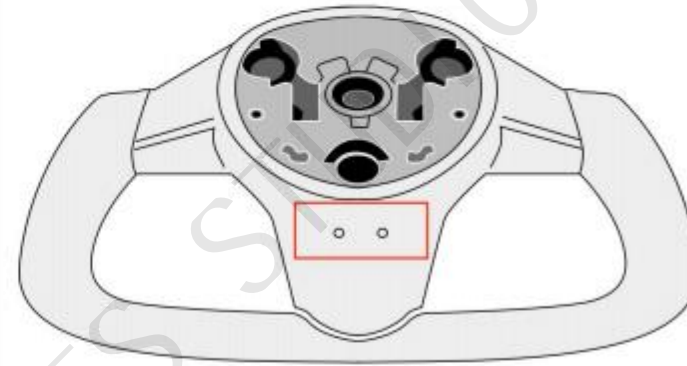
Special car, 1:1 original car mold, non-destructive installation, does not affect the function of the original car. The steering wheel in the shape of a racing car has a three-dimensional design (the whole has a sense of motion vision, improves the field of vision, does not block the dashboard, you can see the mobile phone navigation or the dashboard display). The skeleton is made of aluminum alloy, the surface is made of real carbon fiber material (gloss and matte), which feels soft and does not slip, and the luxury NAPPA leather material is used to combine it (deep breathable, comfortable to feel, strong grip, moisture-absorbing and does not slip, and a clean stain), wear resistance and aging resistance (bending and bending $\leq 200,000$ times at room temperature, and no crack at low temperature $\leq 30,000$ times). Original process stitching (according to the arc of the original car line, hand-stitched), the interface is perfectly fitted (no sewing thread is left on the surface), the craftsman spirit is smooth, the grip is more three-dimensional and more comfortable. It has a heating function by default. The heating feature is only available on Model 3/Y with a built-in heated steering wheel. The heating wheel requires the heating harness and module of the original car. If your Tesla does not have a heating function, do not connect the heating wires

Steering Wheel Product Differences

Caution: Steering wheel disassembly needs to pay attention to the hole position, different types of steering wheel disassembly hole position is different.



The hole is located on both sides of the steering wheel (5/7 point removal hole)

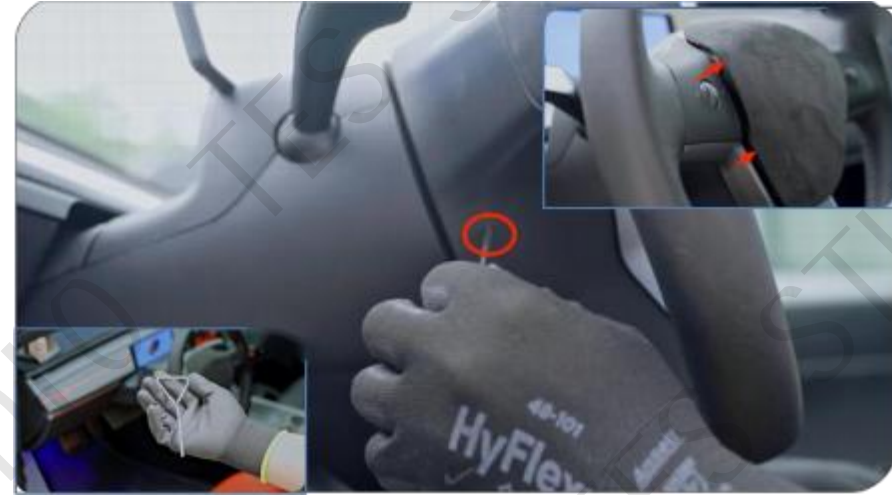


The hole is located under the steering wheel (6 point removal hole)

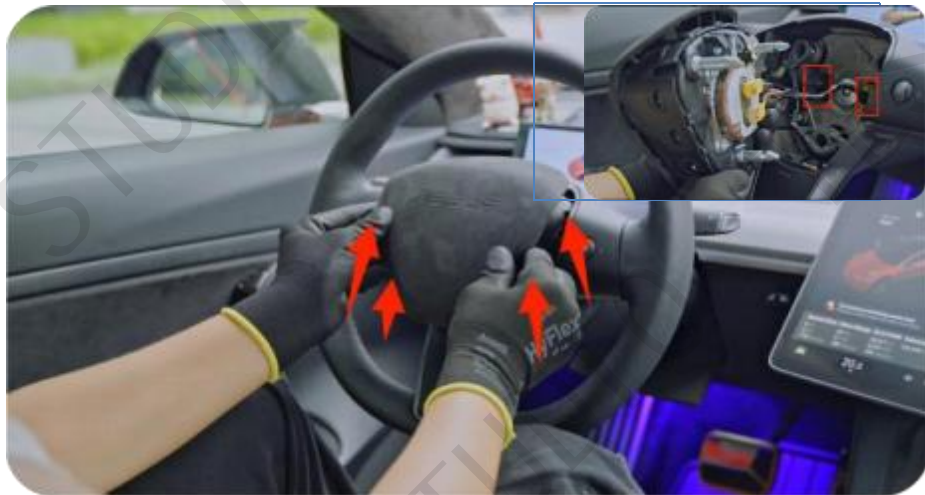
Disassembling the Original Steering Wheel-Instructions



1. Disassembly and Assembly Tools: Trim removal, T20 and T10 Screwdriver, Socket Wrench, H10 Socket, Phillips Screwdriver, Additional Tool (Right)



2. Insert the provided specialized tool into the small holes on both the left and right sides of the steering wheel to remove the airbag cover

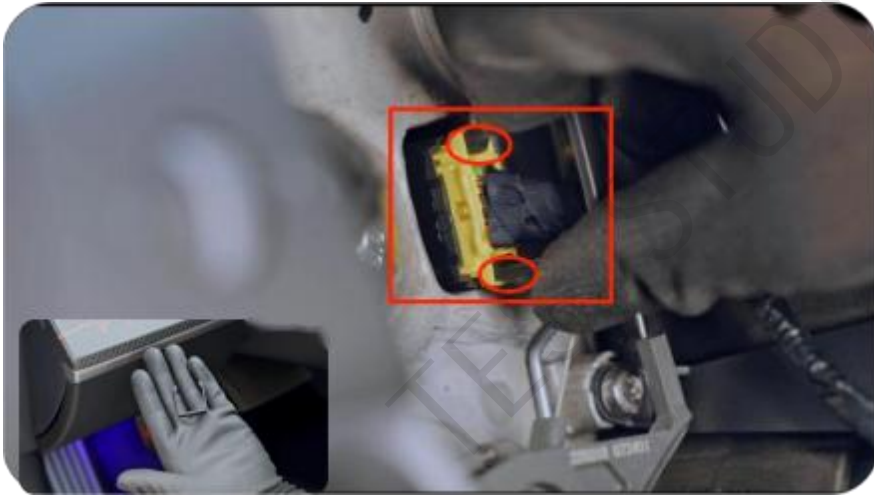


3. Lift the airbag assembly upward
(Note that the wiring harness is still connected)



4. On the vehicle's display interface, select "Power Off"

Disassembling the Original Steering Wheel-Instructions



5. Using the provided plug removal tool, insert it into the locking position, and then gently pull the wiring harness by hand to disconnect the airbag plug.



6. Align the provided plug removal tool with the locking position, then gently pull the wiring harness by hand to disconnect the switch roller plug.



7. Use an H10 socket and an adjustable wrench to unscrew the screws counterclockwise (You can use your legs to support both sides of the steering wheel).

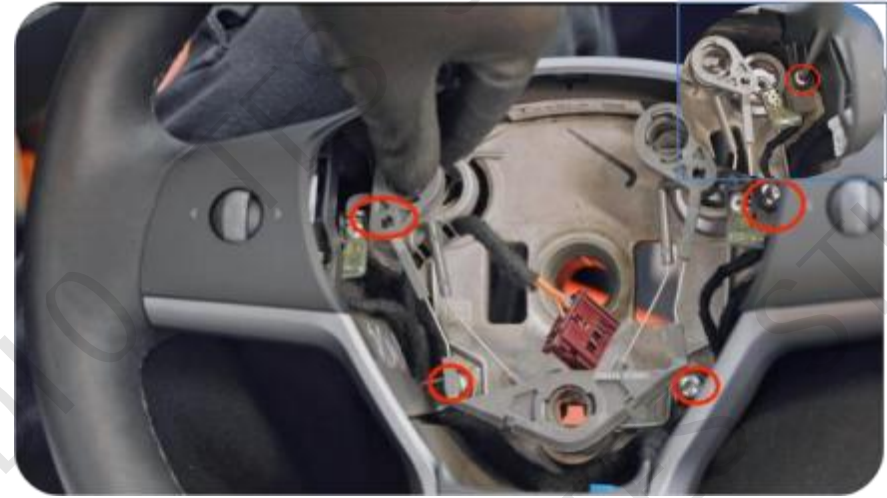


8. After loosening by rocking it left and right, remove the steering wheel.

Disassembling the Original Control Box-Instructions



9. Use a Phillips screwdriver to remove the 6 retaining clips.



10. Use a T20 screwdriver to unscrew the 4 securing screws.



11. Use a trim removal tool to lever open the center trim panel of the steering wheel.



12. Disconnect the control box plug.

Disassembling the Original Control Box-Instructions



13. Use a T10 screwdriver to unscrew the 2 securing screws and then remove the control box.



14. Remove these two clips.



15. Remove these two clips.



16. Remove these two clips on the electronic board.



17. Lift the electronic board upward (pay attention to the alignment pin).



18. Install the removed factory chip onto the small control box.



19. The small control box is designed compactly, so it requires careful installation of the chip (Ensure a snug and precise fit).



20. Locate the wiring harness connector underneath the new Yoke steering wheel.



21. Insert the blue connector into the newly replaced control box.



22. Disconnect the heating connector for ease of storing the control box in its subsequent location.



23. First, press the control box downwards at an angle and then press it upwards to secure it in place.



24. Plug in the heating connector and tuck it next to the control box



25. Align it with the hole and press it down.



26. Plug in the roller button connector.



27. Use an H10 socket and an adjustable wrench to tighten the securing screws clockwise (If working alone, you can use your knees to support both sides of the steering wheel).



28. Reconnect the airbag's connection plug.



29. Align the airbag with the three holes and press it into place.



30. Ensure all components are correctly in place; installation is complete.

Problem	Reason	Solution
Incorrect Reverse Camera Guidelines Display	Misaligned Installation	When installing the wheel, align it with the center groove or notch
There is a gap between the button frame and the wheel	Did not align the clips to the correct securing positions	After disassembly, align the components correctly and reinstall
Leather is dirty, and I don't know how to maintain it	Caused by prolonged use	You can purchase foam cleaning agents online for cleaning (they should not be corrosive to prevent damage to the leather)
Problem with the Airbag Cover Not Opening	The snap or fastener position is very tight	After watching the installation video, find the appropriate tool to pry open the airbag cover
The plug cannot be pulled out	The plug has two locking positions	Use a Phillips screwdriver to support one locking position, and use your fingers to support the other locking position to disassemble it
Buttons not functioning	Wiring harness or connector damaged	You need to replace the original steering wheel wiring harness or connector
The securing screw cannot be remove	Too much adhesive has been applied inside	To avoid stripping the threads, you can visit a service center to request loosening, and then proceed to disassemble it yourself
Heated steering wheel not working after installation	The sensor enters low-voltage protection mode or if the indoor temperature exceeds 35 degrees Celsius, the heating function will be disabled	Disconnect the vehicle's electrical system for five minutes, including the negative terminal of the auxiliary battery in the front trunk and the large battery beneath the rear seats