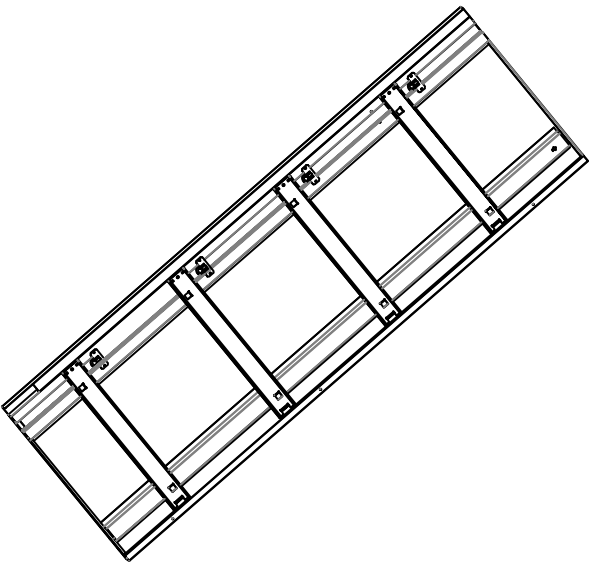


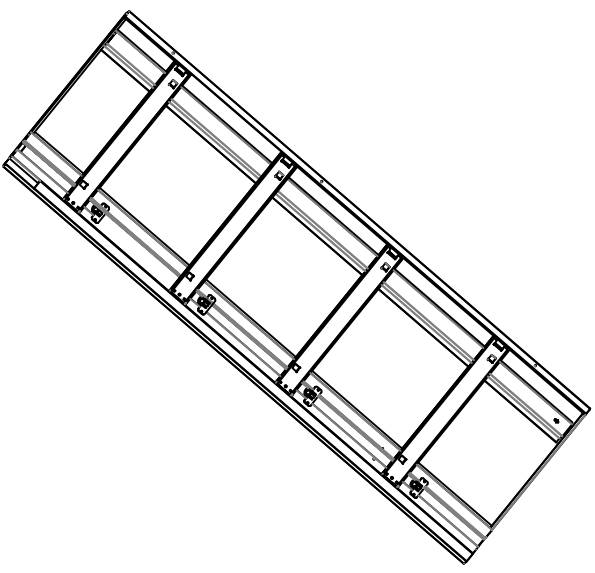
A-Left Panel

1 PC



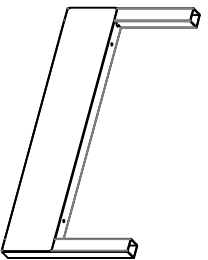
B-Right Panel

1 PC



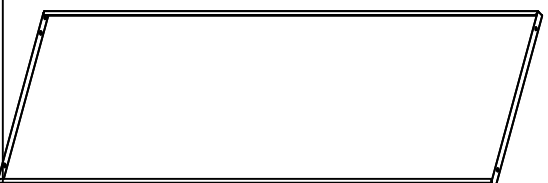
C-Underside Frame

1 PC



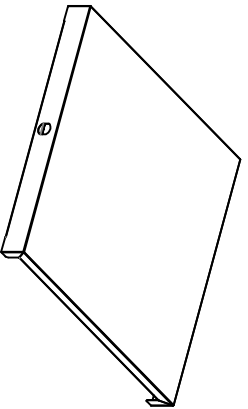
D-Back Panel

1 PC



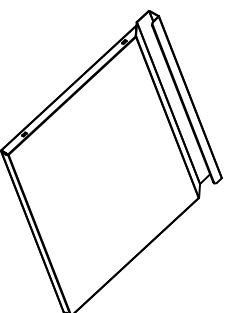
E-Top Panel

1 PC

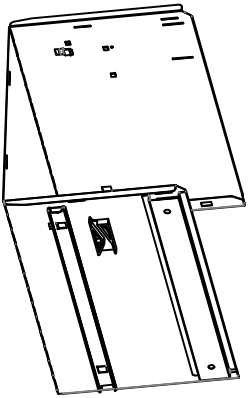


F-Drawer Front Panel

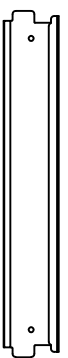
4 PCS



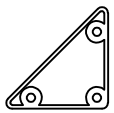
G -Drawer Chest 4 PCS



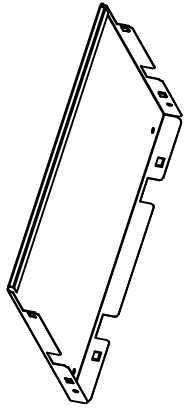
I 4 PCS



K 4 PCS



H -Drawer Back Baffle 4 PCS

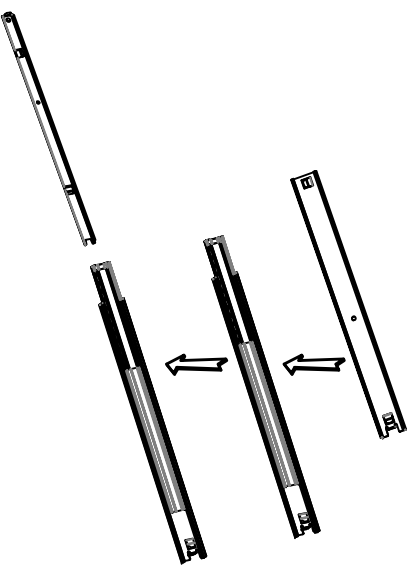


L 26 PCS

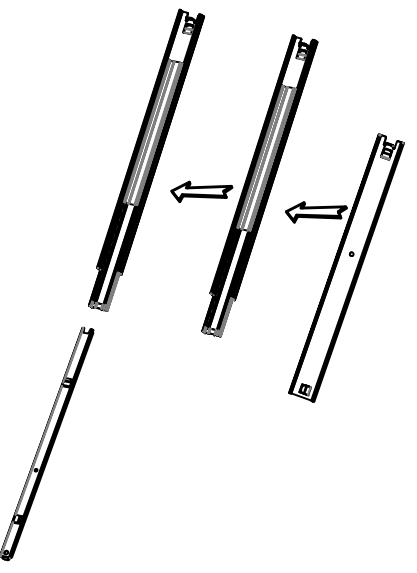


Schematic diagram of slider removal

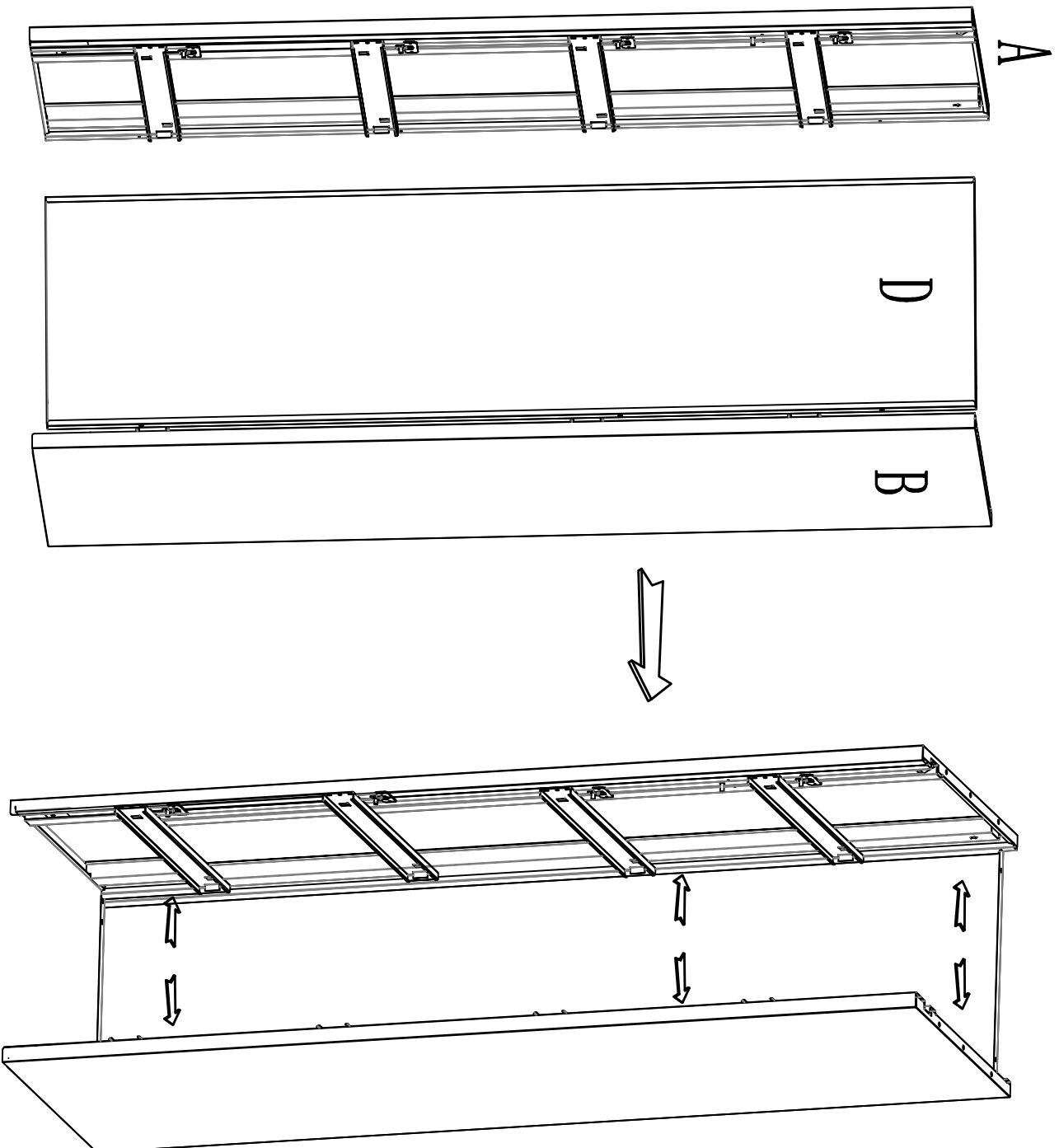
Left



Right



First Step

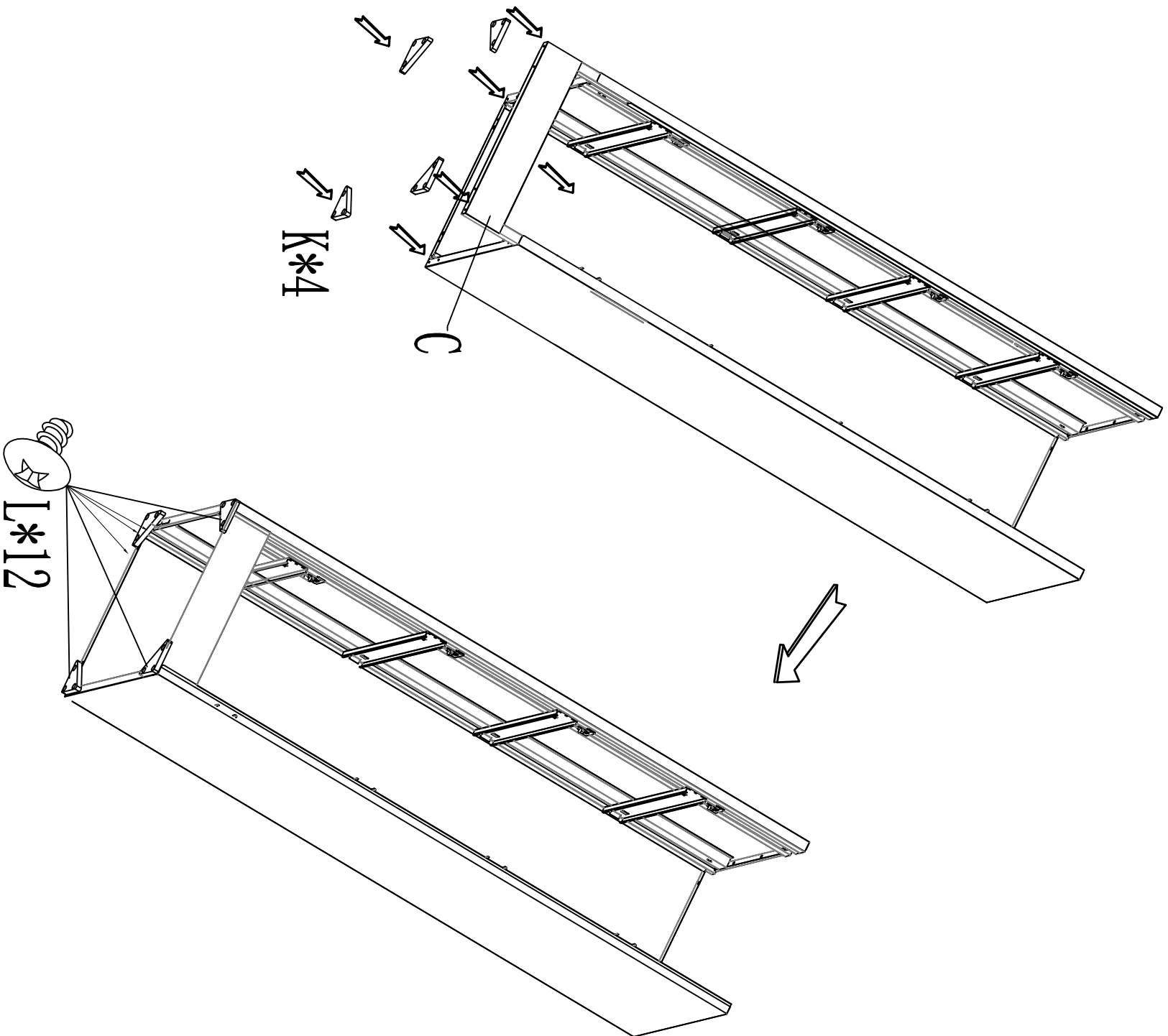


L

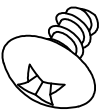


6 PCS

Second Step

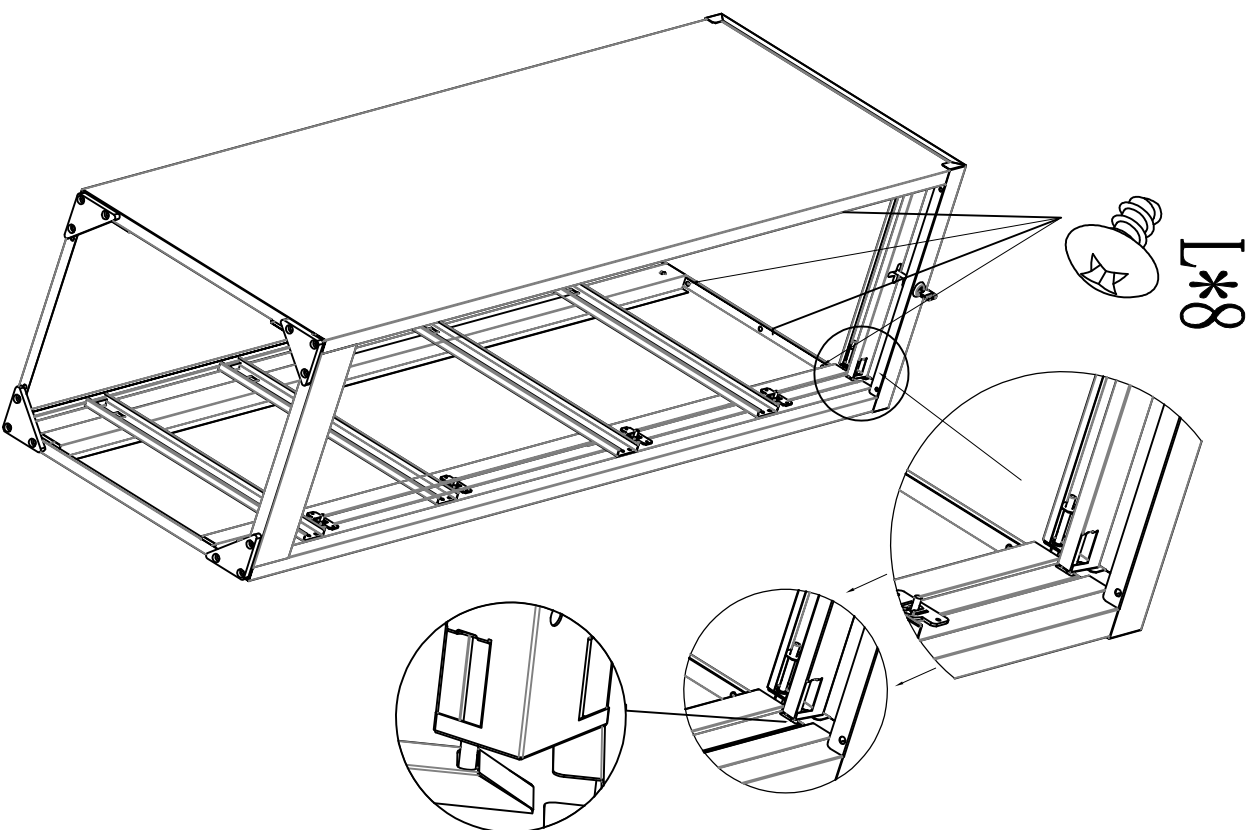
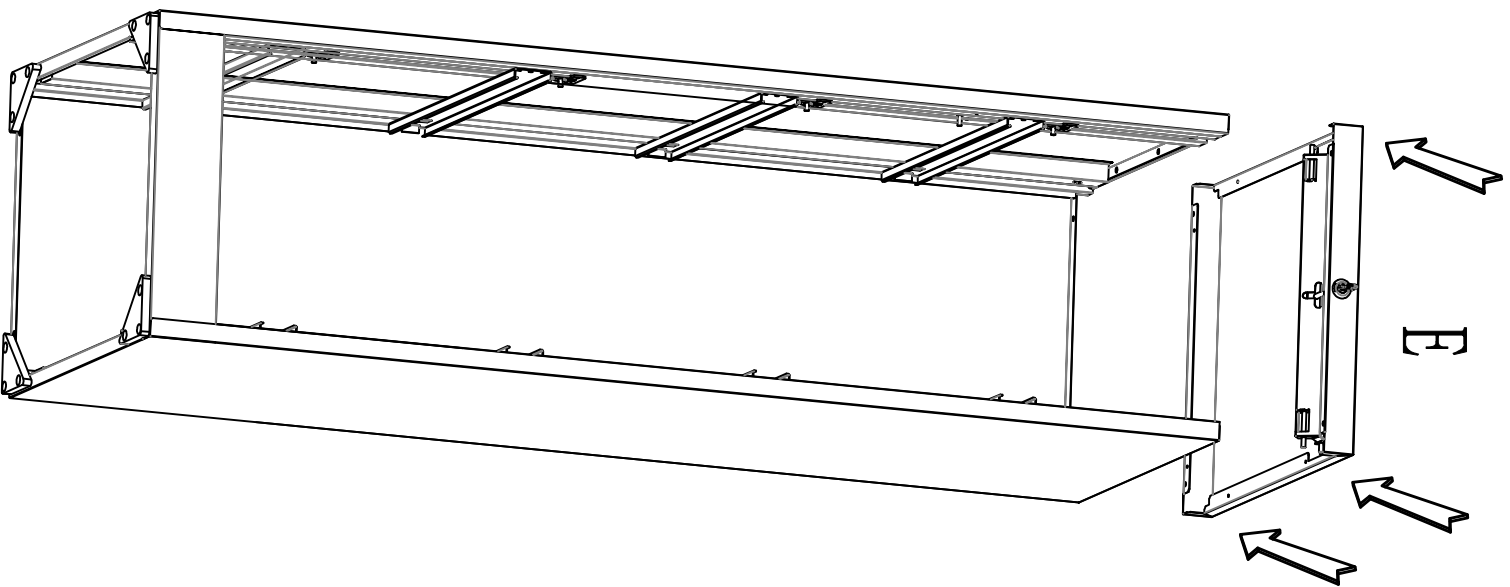


L



12 PCS

Third Step

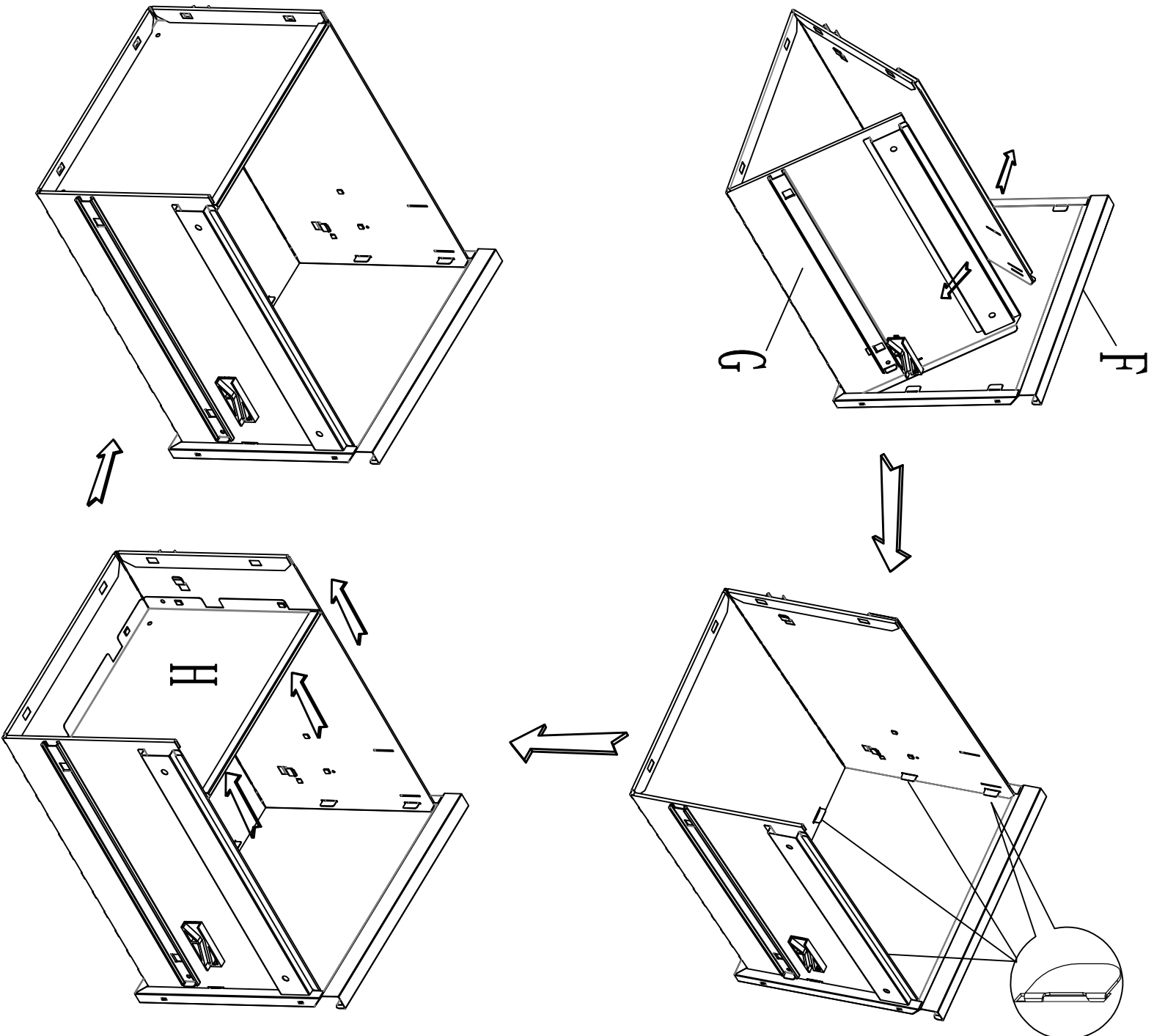


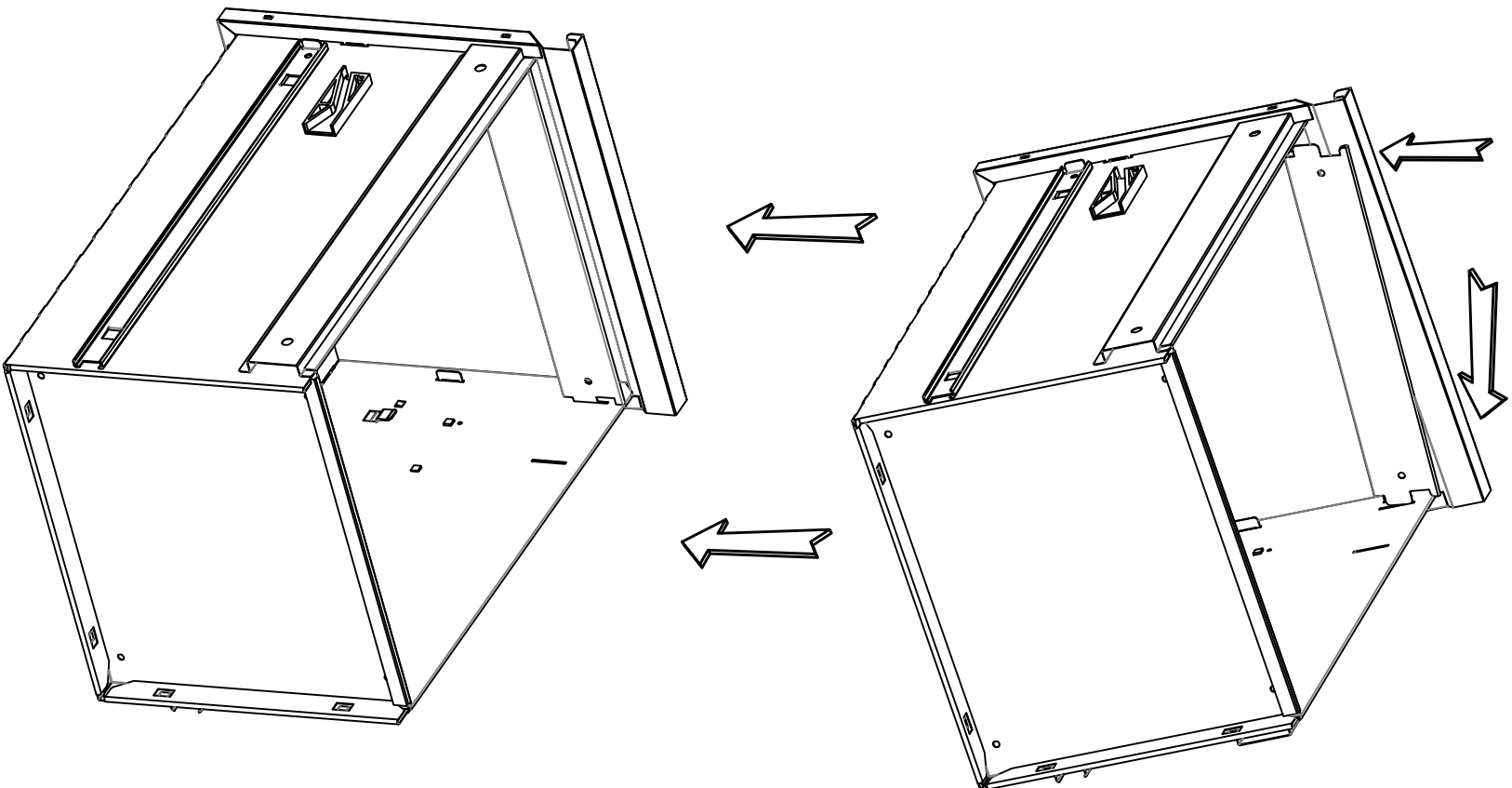
L



8 PCS

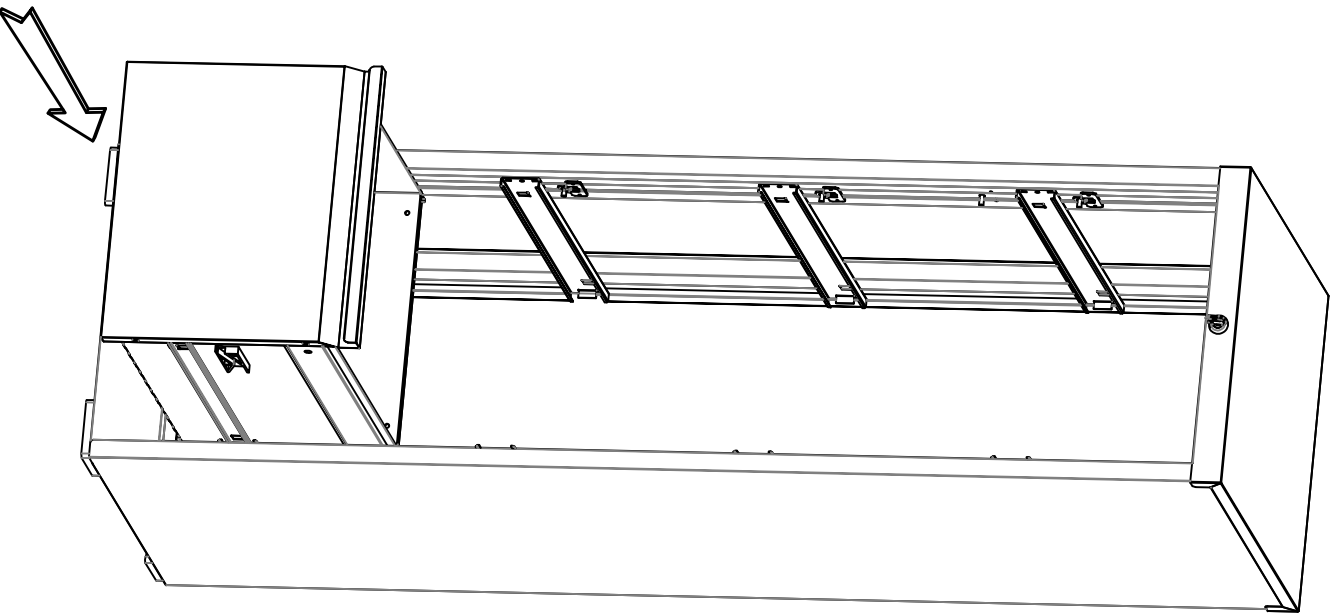
Fourth step



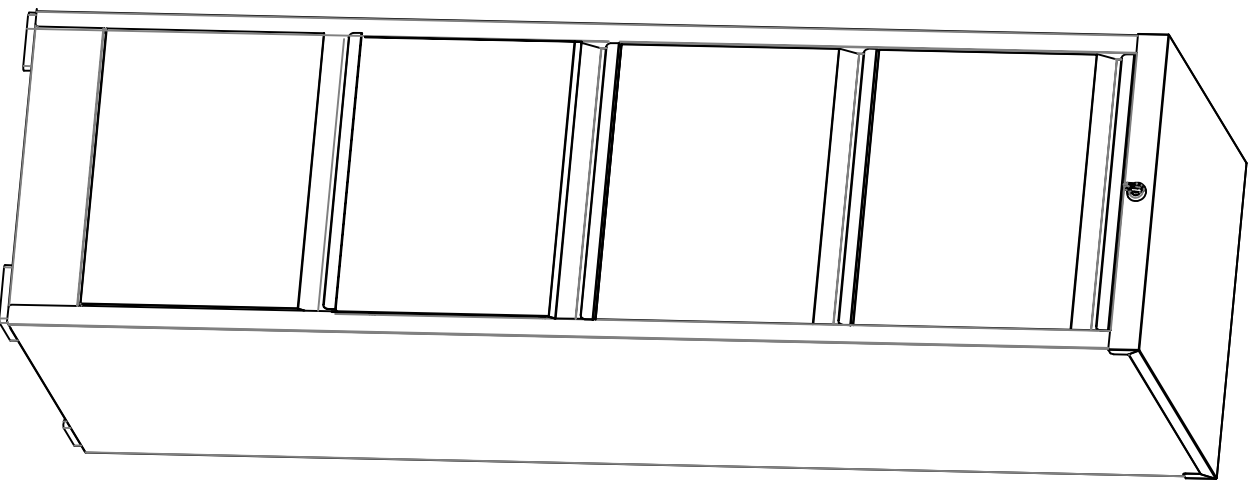
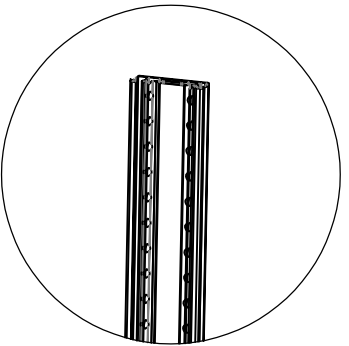




## Sixth Step



Must step:A First slide  
the steel ball to the  
front of cabinet's outer  
slide



B:Insert the inside railway course on both sides of  
drawer on the outside railway  
course of cabinet at the same  
time. Two people must put the drawer flat and insert it  
slowly and synchronously , After inserting it to the  
end, Pull it  
out slowly twice, the slide track works normally . If it  
works fails, please follow the slide track removal  
instructions, open it and reinstall it.

