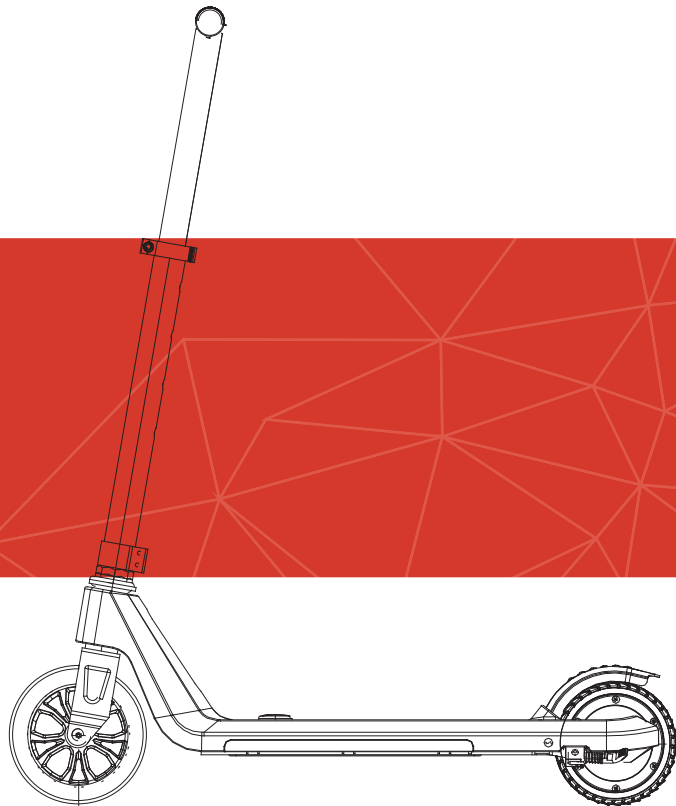




CAROMA

E32

5INCH ELECTRIC SCOOTER



USER MANUAL

In order to continue serving our customers and providing the best products, our product information including our user manuals may receive updates from time to time. Please check our website for the latest user manuals and product materials. Rev. 07/20/2023.

Thank you for your purchase of the E32 Folding Electric Scooter by CAROMA!

To ensure your safety and the safety of others, please read and follow the guidelines in this user manual carefully and thoroughly before and during riding.

If you have any questions regarding the E32, please contact our service team by mail for further assistance.

team mailbox: **caromaservices@outlook.com**

Happy Riding!

The CAROMA Team

TABLE OF CONTENTS

Section 1

GENERAL INFORMATION

- 1.1 Important Information 01
- 1.2 Safety Warnings. 02
- 1.3 Disposal at End-of-Life 03
- 1.4 FCC Information. 04

Section 2

PARTS & FEATURES

- 2.1 What's in the Box 05
- 2.2 E32 Diagram 06
- 2.3 Operate Information. 07

Section 3

ASSEMBLY

- 3.1 Assembling 08

Section 4

CHARGING

- 4.1 Charge the E32 before Using it 9

Section 5

USAGE

- 5.1 How to Ride 11
- 5.2 Practicing Guidelines 11

Section 6

MAINTENANCE

- 6.1 Cleaning. 12
- 6.2 Storage 12

Section 7

SPECIFICATIONS & BUTTON FUNCTIONS

- 7.1 Specifications 13
- 7.2 Button Functions 13

Section 8

WARRANTY. 14

GENERAL INFORMATION

Before operating this scooter, please read all instructions .This manual will guide you through the functions, usage, and proper care of your E32 Electric Scooter. If you have any questions or cannot find the information you need in the manual, please contact your place of purchase or our customer service team by mail.

Before contacting customer service, please have your purchase information ready as this may be needed during the mail. This information may be recorded below .

Date of Purchase:

Place of Purchase:

It is important that you follow all safety warnings that appear throughout this manual and exercise good judgment when using your CAROMA scooter. Consult this manual before you attempt to use your CAROMA .

1.1 Important Information

Within this manual, “the E32, “your E32”, “your scooter” and “the scooter” refer to the E32 Folding Electric Scooter. The E32 is a personal scooter that uses electrical power. By riding the E32, the user acknowledges and accepts responsibility for all risks associated with the use of the E32 which may include, but are not limited to, muscle injuries, broken bones, lacerations, serious injury, and possible death.

To better insure your safety, **ALWAYS USE APPROPRIATE PROTECTIVE GEAR**, read and follow all instructions and warnings in the User Manual.



Appropriate protective gear should include shoes, kneepads, elbow pads and an ASTM F1492 approved helmet.

1.2 Safety Warnings

When reading this manual, note these icons:




Notes with this icon MUST be read, understood, and obeyed to prevent injury or damage, etc.



Notes with this icon include relevant information.



- **Do not place the battery in fire or direct contact with heat or sunlight.**
- **Avoid using or storing the scooter and/or battery in extremely hot or extremely cold environments. Using or storing the battery in extreme temperatures may cause it to become hot or to break and/or reduce battery performance or life expectancy.**
- **Do not subject the battery to strong impact or shock.**
- **Risk of shock. Do not allow water and/or liquids to enter the scooter's electric parts. If cleaning is needed, dampen non-abrasive cloth with water or mild cleaner and wipe off the scooter.**
- **Never submerge the scooter or any of the scooter's components.**
- **Do not disassemble or modify the battery. Attempting to repair or modify your battery voids all warranties. Only authorized repair centers may open and service the battery.**
- **If the device is to be used by children, the caregiver should explain the contents of the user manual to the children. The caregiver should provide adequate supervision to ensure that the device is being used as explained in the user manual.**
- **Immediately discontinue use of the battery if, while using, charging, or storing the battery, the battery emits an unusual smell, feels hot, changes color, changes shape, or appears abnormal in any other way.**
- **In the event that the battery leaks and the fluid gets into one's eye, do not rub the eye. Rinse well with water and immediately seek medical care.**

-  • Use only the charger provided with your scooter. If you have lost or misplaced your charger, contact customer support to obtain a replacement.
- Do not continue charging the battery if it does not recharge within the specified charging time. Disconnect the scooter from the charging cable and contact customer service.
- Keep your charging environment clean and dry at all times.
- If the charging port is damp or has any liquid on it, DO NOT charge your scooter.
- Avoid charging in extremely hot or extremely cold environments. Charging the battery in extreme temperatures may cause it to become hot or to break and/or reduce battery performance or life expectancy.
- Do not discharge the battery using any device except for the E32 Electric Scooter for Kids.
- Devices are not intended for use at elevations greater than 2000 m above sea level.
- Prolonged exposure to UV rays, rain, and the elements may damage the enclosure materials. Store indoors when not in use.

 **WARNING- RISK OF FIRE - No user serviceable parts**

AVERTISSEMENT - Risque d'incendie - Aucune des pièces ne peut être réparée par l'utilisateur

1.3 Disposal at End-of-Life

This product must not be disposed of by incineration, landfilling, or mixing with household trash. Improper disposal of the battery contained within this product may result in the battery heating up, rupturing, or igniting which may cause serious injury. The substances contained inside the battery present chemical risks to the environment. The recommended disposal for any E32 Electric Scooter for Kids at its end-of-life is to dispose of the entire unit at or through an e-waste recycling center, program, or facility. Local regulations and laws pertaining to the recycling and disposal of lithium-ion batteries and/or products containing them will vary according to country, state, and local governments. You

must check laws and regulations corresponding to where you live in order to dispose of the battery and/or unit properly. It is the user's responsibility to dispose of their waste equipment properly in accordance with local regulations and laws.

For additional information about where you should drop off your batteries and electrical or electronic waste, please contact your local or regional waste management office, your household waste disposal service, or your point-of-sale.

1.4 FCC Information

DECLARATION OF CONFORMITY:

This device complies with Part 15 of the FCC Rules.

Operation is subject to the following two conditions: (1) This device may not cause harmful interference, and (2) this device must accept any interference received, including interference that may cause undesired operation.

FCC RELATED INFORMATION:

This equipment has been tested and found to comply with the limits for a Class B digital device, pursuant to Part 15 of the FCC Rules. These limits are designed to provide reasonable protection against harmful interference in a residential installation. This equipment generates, uses, and can radiate radio frequency energy and, if not installed and used in accordance with the instructions, may cause harmful interference to radio communications. However, there is no guarantee that interference will not occur in a particular installation. If this equipment does cause harmful interference to radio or television reception, which can be determined by turning the equipment off and on, the user is encouraged to try to correct the interference by one or more of the following measures:

- Reorient or relocate the receiving antenna.
- Increase the separation between the equipment and receiver.
- Connect the equipment into an outlet on a circuit different from that to which the receiver is connected.
- Consult the dealer or an experienced radio/TV technician for help.

The manufacturer is not responsible for any radio or TV interference caused by unauthorized modifications to this equipment. Such modifications could void the user's authority to operate the equipment.

Section 2

PARTS & FEATURES

Please read the user manual in its entirety before using the E32 so that you may fully understand its parts and functions and be able to operate it safely.

2.1 What's in the Box

- 1x E32 Electric Scooter
- 1x Charger(The type of plug varies by country.)
- 3x Allen Wrench
- 1x User Manual



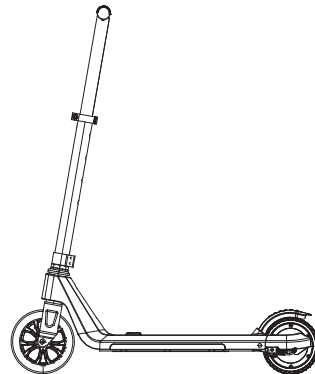
Allen Wrench



User Manual



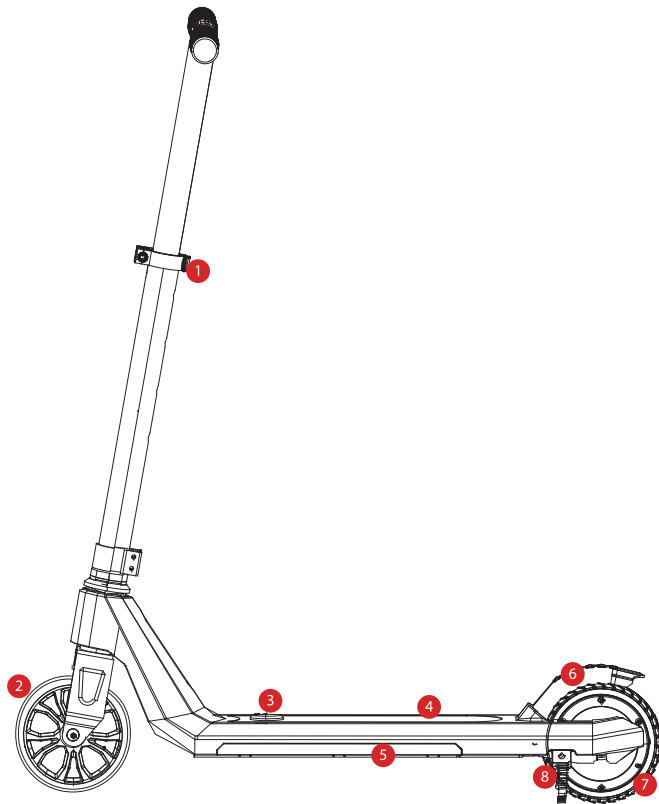
Charger



E32 Electric Scooter

2.2 E32 Diagram


1. Upper Clamp
2. Front Wheel
3. Power Button
4. Deck
5. Pedal Light
6. Rear Fender
7. Motorized Rear Wheel
8. Kickstand



2.3 Operate Information

The E32's Be sure your understand these before attempting to ride. Press the power button 1 time to turn on the scooter

1. **Battery Level Warning Tone**- When the battery is low, the buzzer will emit a continuous warning sound of "drop", "drop", "drop", "drop"
2. **Pedal Light**- When the power switch is turned on, the pedal light will light up, and when braking, the red pedal light flashes quickly
3. **Gear** - When stationary, press the power button twice in a row to switch gears

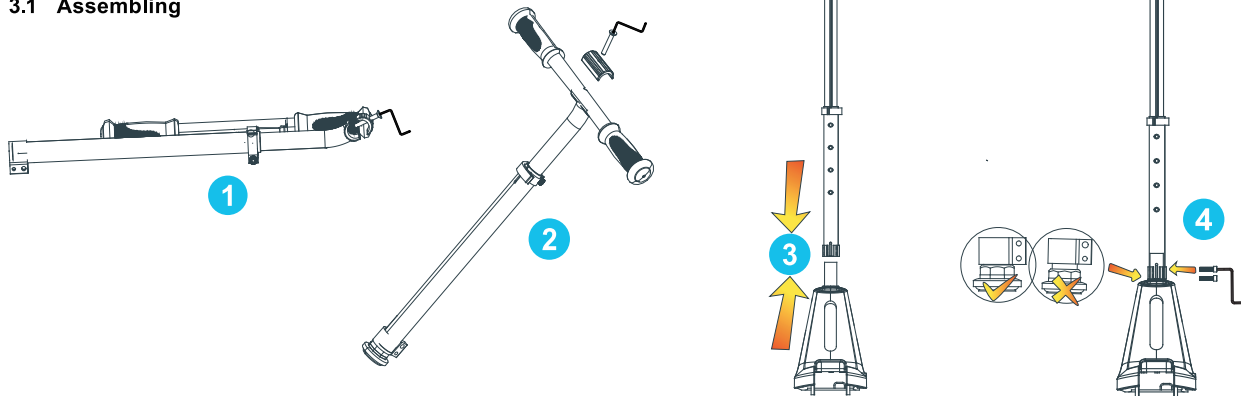
 **When the battery level is low, stop riding, turn off the scooter, and fully recharge it before riding again.**

Section 3

ASSEMBLY

Ensure the E32 is off before working with any of its parts. The scooter comes mostly assembled within the package. Some minor assembly is required before riding. All parts and tools are included.

3.1 Assembling



Step 1. After unpacking, take out the product, then loosen the screws and remove the fixing block (Refer to Figure 1)

Step 2. Install the handle tube, install the fixing block, and tighten the screws (Refer to Figure 2)

Step 3. The front tube is sleeved into the shaft (Refer to Figure 3)

Step 4. After checking there are no gaps, lock the lower bundle screws (Refer to Figure 4)

CHARGING

4.1 Charge the E32 before using it.

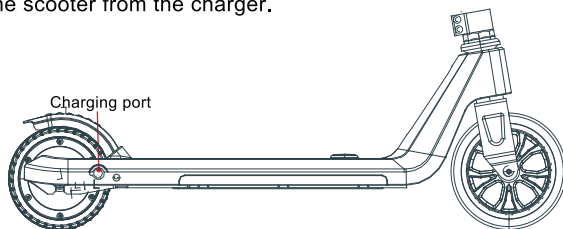
When the scooter is charging, the charger LED indicator is red. When the charger LED indicator is turn green, the charge cycle is complete. Each charge cycle from zero to full charge will take approximately 5.2 hrs. When display on the handlebars indicates that battery power is low, recharge the E32. To recharge the E32 use the included charger.

Step 1. Make sure the scooter is powered off then locate the charging port under the deck.


Step 2. Insert the appropriate end into the charging port and then insert the other end into an outlet.

Step 3. While the scooter is charging, the charger light will turn red.

Step 4. When the scooter is fully recharged, the charger light will turn green. You may then disconnect the scooter from the charger.





 **DO NOT**, under any circumstances, use the scooter while it is charging or connected to the charger. And make sure to charge your scooter in conditions that do not exceed 104 °F(40°C) or below 32 °F(0°C).

 The charging time is approximately 5.2 hours. Charging longer than that may affect battery life and/or performance. If the charger's light doesn't turn on, it may not be fully connected. Check that it is securely connected to the wall and to the scooter.

USAGE

We sincerely hope every operator can ride the E32 safely. Note the following information before attempting to ride your E32.

-  • **An ASTM F1492 approved helmet as well as other protective gear must be worn at all times.**
 - **The E32 supports up to 110 lbs (50 kg).**
 - **Before each ride, especially if you may travel a long distance, check all cables for damage, and test the brakes. Do not ride if any part of the scooter is damaged or malfunctioning.**
 - **Only operate the E32 where permitted. Local laws may restrict where you may ride.**
 - **In compliance with UL2272 standards, power to the E32's motorized wheel may cut off during continuous uphill travel and/or other cases which cause the motor to overheat. If the motor overheats, this safety feature will trigger automatically. Stop riding and allow ~15 minutes before using the motor again. In general, continuous uphill travel at 20° slopes for long periods of time is not recommended.**
-  **The E32 contains a motor and may be classified as a motor vehicle under local laws in your area. It is your responsibility to understand and abide by any local laws restricting how or where you may ride.**

5.1 How to Ride

Assuming you have equipped suitable protective gear and that the E32 has been placed on a level surface, is charged, and does not have any issues, follow the steps below. For your safety, please read this entire section before attempting to ride.

- Start your scooter by pressing the power button 1 time to turn on the scooter
- You will want to start riding your scooter with one foot on the deck and one foot on the ground, use your foot on the ground to push off and at the same time, press the throttle button to begin movement.
- Switch gears by quick-pressing the power button twice. Each gear has different speed.
Gear S's max. is 6MPH(10KM/H), Gear N is 3MPH(6KM/H)
- To slow down, gradually ease off the throttle and apply pressure to the Rear fender .
- To stop, apply full pressure to the Rear fender until the scooter stops completely.

5.2 Practicing Guidelines



Practice until you are comfortable with using all of the scooter's functions. See the following tips below.

- Wear casual clothing and flat, closed-toe shoes to maintain your flexibility and stability.
- Practice until you can easily get on, move forward, turn, stop, and dismount with ease.
- Make sure the pavement is even. Do not operate on a slope until you are experienced.
- The E32 is designed for relatively smooth, flat terrain. When driving on uneven terrain, slow down.
- Until you are comfortable using the scooter, avoid operating in places with pedestrians or obstacles.



- **Gear speeds are approximate. Actual speed may vary due to terrain, rider weight, and/or other factors.**

MAINTENANCE

-  • **Do not perform any maintenance when the power is on, or the battery is charging. Do not let water or liquids get into the scooter as this will cause permanent damage to the electronic components.**
- **After each ride, especially if you have traveled a long distance, inspect your scooter.**
 1. Inspect the brake to make sure it's working properly.
 2. Make sure all screws and bolts are taut and properly fastened to prevent injury and unnecessary wear and tear.
-  • **For questions, concerns, or part replacement, please contact customer service.**

6.1 Cleaning

The E32 may need cleaning after riding for extended periods of time. See the following tips below.

- Completely power off the scooter before cleaning.
- Use dry, non-abrasive cloth to gently remove debris or dust.
- If needed, dampen cloth with water or a mild cleaner and wipe off the scooter.
- Never use alcohol or ammonia-based cleaning solutions.
- Never spray liquid directly onto any part of the scooter.
- Do not allow any type of liquid to come in contact with the scooter's electronic parts.

6.2 Storage

- Before storing the scooter, fully charge it to prevent battery over-discharge due to non-use.
- If storing the scooter for more than one month, discharge and recharge the battery every three months.
- Cover the scooter to protect it from dust. Do not store in a dusty environment as, with all electronic devices, this may cause damage over time.
- DO NOT store the scooter in an unheated garage, shed, or other location with extreme temperature fluctuations or ranges. Store only in environments where temperatures will be stable and kept between -4°F to 140°F (-20°C to 60°C).

Section 7

SPECIFICATIONS & BUTTON FUNCTIONS

7.1 Specifications

Top Speed	6 MPH(10KM/H)
Motor Power	Rated 120W
Distance Per Charge	About 3 Miles(6KM)
Weight Range Up To	110 lbs(50KG)
Battery Capacity	21.9V 2.6Ah
Battery Charger	DC25.2V 0.5A
Charge Time	About 5.5 Hours
Charger Power Requirement	AC100-240V~50/60Hz 0.8A Max
Tire Size	5 Inch Tires

7.2 Button functions

The power button is also a multifunctional button. You can get different functions by pressing the power button in different way.

Button operations	Functions
Press 1 time	Turn on the scooter
Quick press 2 times	Handoff gears

Section 8

WARRANTY

We provide 12-month or 6-month warranty for different parts, please refer to the warranty or contact our service team by mail.

Category	Parts	Warranty Period
Dynamical system	Battery	12 months
	Motor	12 months
	Controller	12 months
Electrical system	Charger	6 months
	Key switches	6 months
Wear parts	Tire	1 months



CAROMA

E32