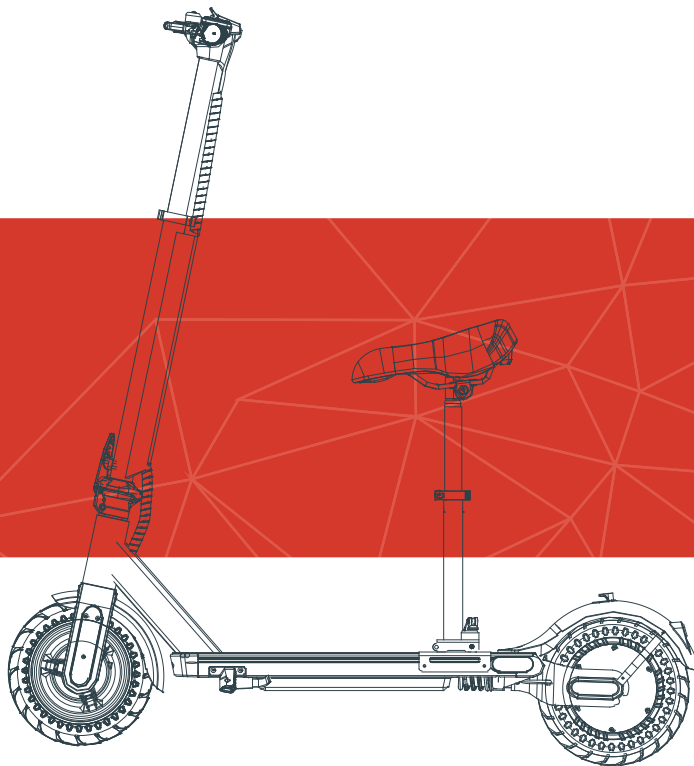




CAROMA E68 PRO

10INCH ELECTRIC SCOOTER



USER MANUAL

In order to continue serving our customers and providing the best products, our product information including our user manuals may receive updates from time to time. Please check our website for the latest user manuals and product materials. Rev. 07/20/2023.

Thank you for your purchase of the E68 PRO Folding Electric Scooter by CAROMA!

To ensure your safety and the safety of others, please read and follow the guidelines in this user manual carefully and thoroughly before and during riding.

If you have any questions regarding the E68 PRO, please contact our service team by mail for further assistance.

team mailbox: **caromaservices@outlook.com**

Happy Riding!

The CAROMA Team

TABLE OF CONTENTS

Section 1

GENERAL INFORMATION

1.1 Important Information	01
1.2 Safety Warnings	02
1.3 Disposal at End-of-Life	03
1.4 FCC Information	04

Section 2

PARTS & FEATURES

2.1 What's in the Box	05
2.2 E68 PRO Diagram	06
2.3 Display Information	07

Section 3

ASSEMBLY & FOLDING

3.1 Standing, Folding & Unfolding the Scooter .	08
3.2 Assembling the Handlebars	10

Section 4

CHARGING

4.1 Charge the E68 PRO before Using It	11
--	----

Section 5

USAGE

5.1 How to Ride	12
5.2 Practicing Guidelines	14

Section 6

MAINTENANCE

6.1 Cleaning	15
6.2 Storage	16
6.3 Transportation	16

Section 7

SPECIFICATIONS & BUTTON FUNCTIONS

7.1 Specifications	17
7.2 Button Functions.	17
7.3 Erro Code	18

Section 8

WARRANTY. 18

GENERAL INFORMATION

Before operating this scooter, please read all instructions. This manual will guide you through the functions, usage, and proper care of your E68 PRO Folding Electric Scooter. If you have any questions or cannot find the information you need in the manual, please contact your place of purchase or our customer service team by mail.

Before contacting customer service, please have your purchase information ready as this may be needed during the mail. This information may be recorded below .

Date of Purchase:

Place of Purchase:

It is important that you follow all safety warnings that appear throughout this manual and exercise good judgment when using your E68 PRO scooter. Consult this manual before you attempt to use your E68 PRO.

1.1 Important Information

Within this manual, “the E68 PRO”, “your E68 PRO”, “your scooter” and “the scooter” refer to the E68 PRO Folding Electric Scooter. The E68 PRO is a personal scooter that uses electrical power. By riding the E68 PRO, the user acknowledges and accepts responsibility for all risks associated with the use of the E68 PRO which may include, but are not limited to, muscle injuries, broken bones, lacerations, serious injury, and possible death.

To better insure your safety, **ALWAYS USE APPROPRIATE PROTECTIVE GEAR**, read and follow all instructions and warnings in the User Manual.




Appropriate protective gear should include shoes, kneepads, elbow pads and an ASTM F1492 approved helmet.


1.2 Safety Warnings

When reading this manual, note these icons:

 **Notes with this icon MUST be read, understood, and obeyed to prevent injury or damage, etc.**

 **Notes with this icon include relevant information.**

-  • **Do not place the battery in fire or direct contact with heat or sunlight.**
- **Avoid using or storing the scooter and/or battery in extremely hot or extremely cold environments. Using or storing the battery in extreme temperatures may cause it to become hot or to break and/or reduce battery performance or life expectancy.**
 - **Do not subject the battery to strong impact or shock.**
 - **Risk of shock. Do not allow water and/or liquids to enter the scooter's electric parts. If cleaning is needed, dampen non-abrasive cloth with water or mild cleaner and wipe off the scooter.**
 - **Never submerge the scooter or any of the scooter's components.**
 - **Do not disassemble or modify the battery. Attempting to repair or modify your battery voids all warranties. Only authorized repair centers may open and service the battery.**
 - **If the device is to be used by children, the caregiver should explain the contents of the user manual to the children. The caregiver should provide adequate supervision to ensure that the device is being used as explained in the user manual.**
 - **Immediately discontinue use of the battery if, while using, charging, or storing the battery, the battery emits an unusual smell, feels hot, changes color, changes shape, or appears abnormal in any other way.**
 - **In the event that the battery leaks and the fluid gets into one's eye, do not rub the eye. Rinse well with water and immediately seek medical care.**

-  • Use only the charger provided with your scooter. If you have lost or misplaced your charger, contact customer support to obtain a replacement.
- Do not continue charging the battery if it does not recharge within the specified charging time. Disconnect the scooter from the charging cable and contact customer service.
- Keep your charging environment clean and dry at all times.
- If the charging port is damp or has any liquid on it, DO NOT charge your scooter.
- Avoid charging in extremely hot or extremely cold environments. Charging the battery in extreme temperatures may cause it to become hot or to break and/or reduce battery performance or life expectancy.
- Do not discharge the battery using any device except for the E68 PRO Folding Electric Scooter.
- Devices are not intended for use at elevations greater than 2000 m above sea level.
- Prolonged exposure to UV rays, rain, and the elements may damage the enclosure materials. Store indoors when not in use.

 **WARNING- RISK OF FIRE - No user serviceable parts**

AVERTISSEMENT - Risque d'incendie - Aucune des pièces ne peut être réparée par l'utilisateur

1.3 Disposal at End-of-Life

This product must not be disposed of by incineration, landfilling, or mixing with household trash. Improper disposal of the battery contained within this product may result in the battery heating up, rupturing, or igniting which may cause serious injury. The substances contained inside the battery present chemical risks to the environment. The recommended disposal for any E68 PRO Folding Electric Scooter at its end-of-life is to dispose of the entire unit at or through an e-waste recycling center, program, or facility. Local regulations and laws pertaining to the recycling and disposal of lithium-ion batteries and/or products containing them will vary according to country, state, and local governments. You

must check laws and regulations corresponding to where you live in order to dispose of the battery and/or unit properly. It is the user's responsibility to dispose of their waste equipment properly in accordance with local regulations and laws.

For additional information about where you should drop off your batteries and electrical or electronic waste, please contact your local or regional waste management office, your household waste disposal service, or your point-of-sale.

1.4 FCC Information

DECLARATION OF CONFORMITY:

This device complies with Part 15 of the FCC Rules.

Operation is subject to the following two conditions: (1) This device may not cause harmful interference, and (2) this device must accept any interference received, including interference that may cause undesired operation.

FCC RELATED INFORMATION:

This equipment has been tested and found to comply with the limits for a Class B digital device, pursuant to Part 15 of the FCC Rules. These limits are designed to provide reasonable protection against harmful interference in a residential installation. This equipment generates, uses, and can radiate radio frequency energy and, if not installed and used in accordance with the instructions, may cause harmful interference to radio communications. However, there is no guarantee that interference will not occur in a particular installation. If this equipment does cause harmful interference to radio or television reception, which can be determined by turning the equipment off and on, the user is encouraged to try to correct the interference by one or more of the following measures:

- Reorient or relocate the receiving antenna.
- Increase the separation between the equipment and receiver.
- Connect the equipment into an outlet on a circuit different from that to which the receiver is connected.
- Consult the dealer or an experienced radio/TV technician for help.

The manufacturer is not responsible for any radio or TV interference caused by unauthorized modifications to this equipment. Such modifications could void the user's authority to operate the equipment.

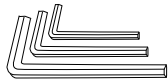
Section 2

PARTS & FEATURES

Please read the user manual in its entirety before using the E68 PRO so that you may fully understand its parts and functions and be able to operate it safely.

2.1 What's in the Box

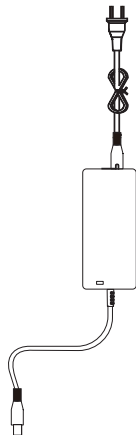
- 1x E68 PRO Folding Electric Scooter
- 1x Charger(The type of plug varies by country.)
- 3x Allen Wrench
- 1x User Manual
- 1x Seat



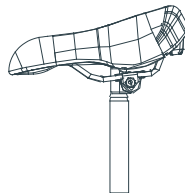
Allen wrench



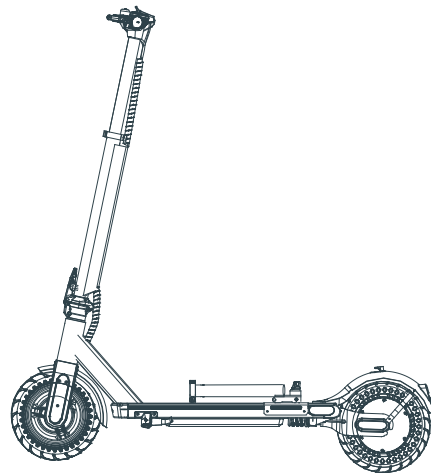
User Manual



Charger



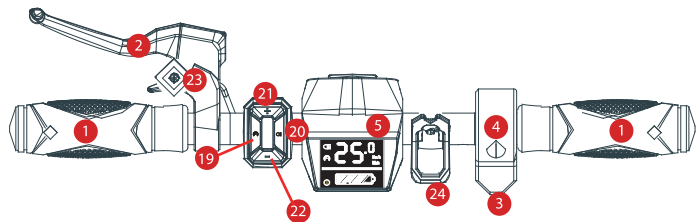
Seat



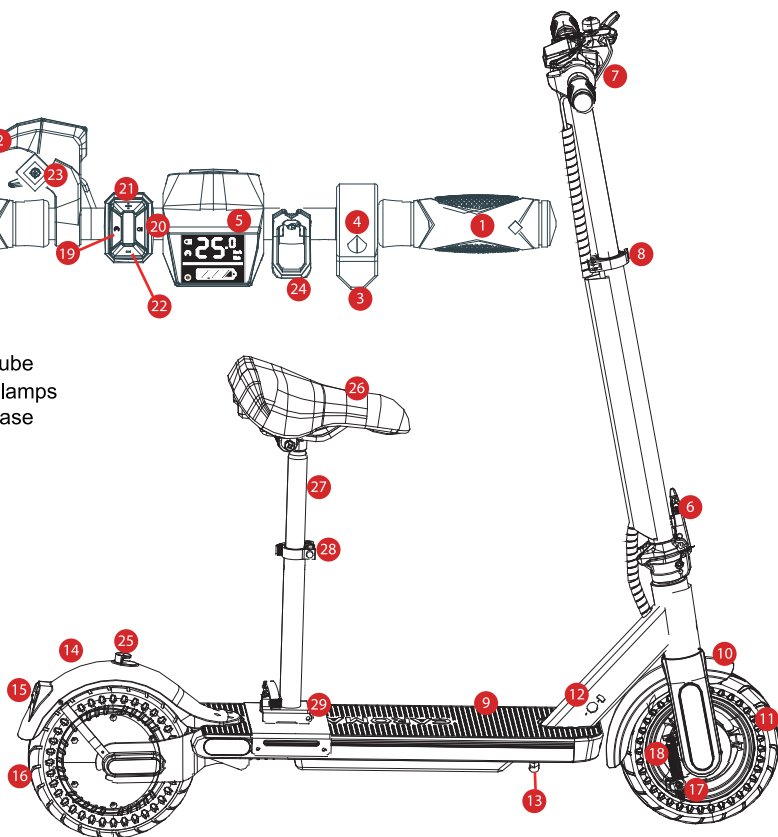
E68 PRO Folding Electric Scooter

2.2 E68 PRO Diagram

1. Handle Grip
2. Hand Brake
3. Accelerator
4. Power Button
5. Display
6. Folding Mechanism
7. Headlight
8. Upper Clamp
9. Deck
10. Front Fender
11. Front Wheel
12. Charging Port
13. Kickstand
14. Rear Fender
15. Taillight/Brake Light
16. Rear Motor Wheel
17. Drum Brake
18. Brake Cable
19. Cruise Button
20. Headlight Switch
21. Upshift Button **+**
22. Downshift Button **-**
23. Bell
24. Handlebar Hook
25. Rear Fender Hook



26. Seat
27. Seat Tube
28. Seat Clamps
29. Seat Base



2.3 Display Information

The E68 PRO's display features several different elements. Be sure your understand these before attempting to ride. Long press the power button on the accelerator to turn the scooter on, and long press the power button 3 seconds to turn off.

1. **Lighting Display** - Short press the light button turn on/off Lights.

2. **Current Speed** - These numbers indicate the current speed and will change when the E68 PRO is in use. The default speed unit is MPH, quick press the power button 2 times to switch the speed unit between MPH and KM/H. The speed unit will be memorized until the next switch.

3. **Gear** - The S key indicates the gear status, there are 3 levels of adjustment, respectively white, yellow, red, press the upshift/downshift button can be from white to yellow to red.

White: 10MPH or 16KM/H

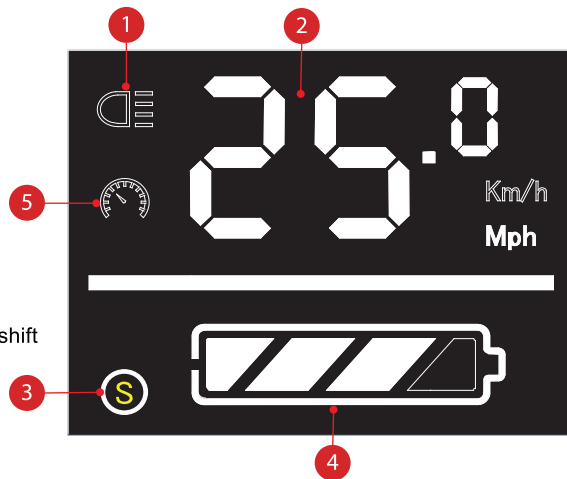
Yellow: 15MPH or 25KM/H

Red: 20MPH or 32KM/H

4. **Battery Power Display** - This icon indicates how much battery life percentage you have left. As power goes down, the icon will indicate different levels.

5. **Cruise Control** - Press the Cruise button to enter the cruise mode, the Cruise icon lights up, in the cruise mode, press the upshift or downshift button, the speed will change about ± 1 ; press the Accelerator/Handbrake/Cruise button to exit the Cruise mode.

⚠ When the battery level is low, stop riding, turn off the scooter, and fully recharge it before riding again.



ASSEMBLY & FOLDING

3.1 Standing, Folding & Unfolding the Scooter

Before using the kickstand, bring the scooter to a complete stop and turn it off. Before riding the scooter again, lean the scooter off the kickstand and fold the kickstand up.

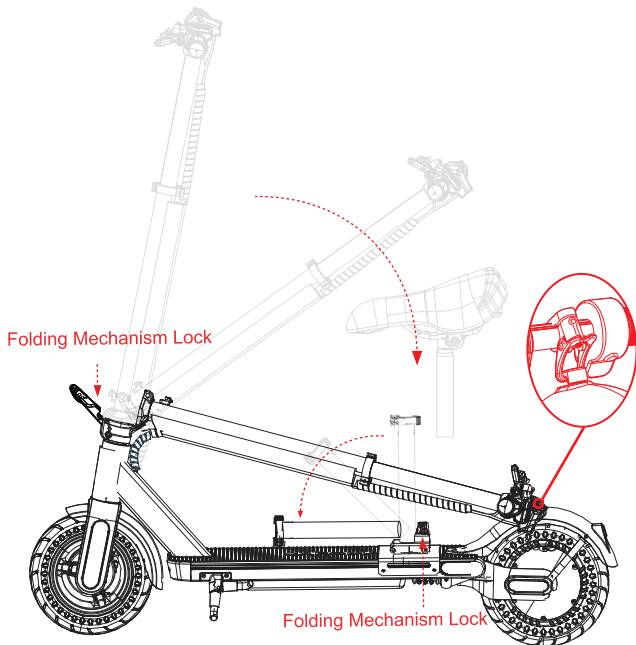
Standing

Step 1. Locate the kickstand on the side of the scooter's deck.

Step 2. Push the kickstand down and away from the scooter then carefully lean the weight of the scooter onto the kickstand .

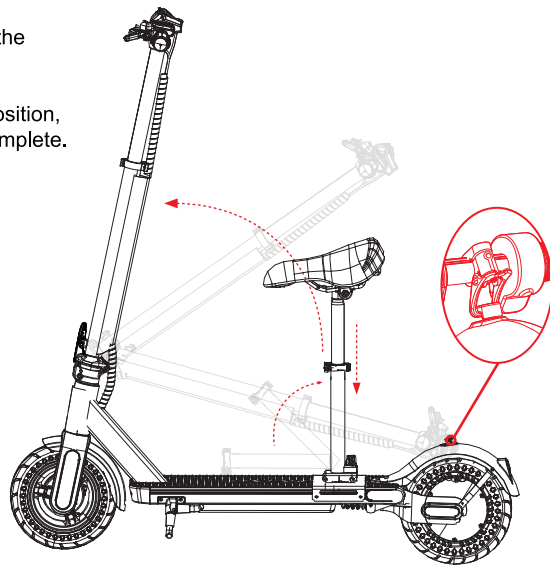
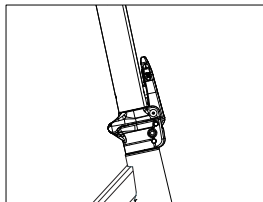
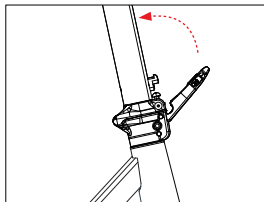
Folding

Remove the seat, fold the seat tube to the pedal, open the folding mechanism lock, fold the front tube to the rear fenders, use the rear fender hook to hang the handle hook, hear a single "CLICK", and the folding is complete.



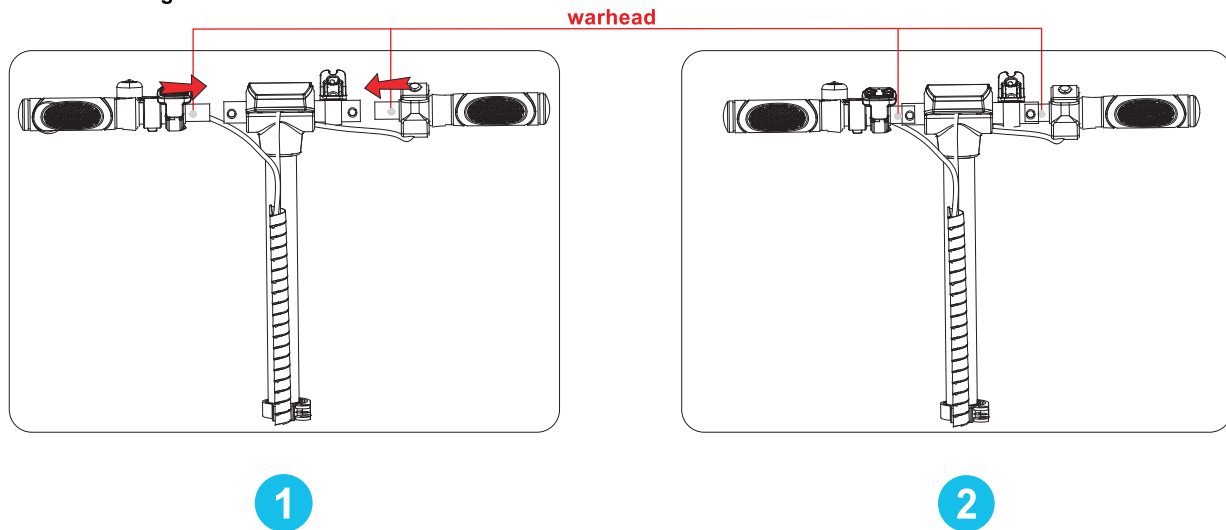
Unfolding

Separate the handlebar hook and the rear fender hook, and pull up the the stem up away from the rear fender, when the front stem is straightened, lock the folding mechanism lock, Lift the seat tube, fix the seat folding mechanism lock, open the seat clip, install the seat in the appropriate position, close the seat clamp, ensure that the seat is stable and the folding is complete.



⚠ Before moving, lifting, or otherwise transporting the scooter, ensure it is turned off.

3.2 Assembling the Handlebar



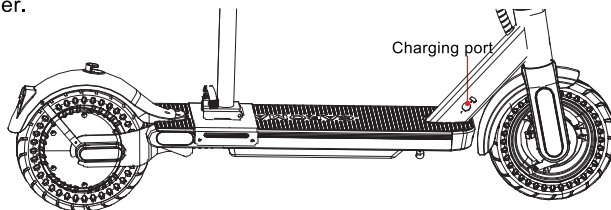
- 1 Align and insert the handle tube into the handle transverse tube.
- 2 Press the warhead to continue insertion, and hear "CLICK" The installation is complete.

CHARGING

4.1 Charge the E68 PRO before Using It.

When the scooter is charging, the charger LED indicator is red. When the scooter is charging, it cannot be turned on. When the charger LED indicator is turn green, the charge cycle is complete. Each charge cycle from zero to full charge will take approximately 5.5 hours. When the battery level indicator on the display indicates that battery power is low (less than 20%), recharge the E68 PRO. To recharge the E68 PRO, use the included charger.



- Step 1.** Make sure the scooter is powered off then locate the charging port in the neck of the deck.
- Step 2.** Insert the appropriate end into the charging port and then insert the other end into an outlet.
- Step 3.** While the scooter is charging, the charger light will turn red .
- Step 4.** When the scooter is fully recharged, the charger light will turn green. You may then disconnect the scooter from the charger.



- ⚠ DO NOT, under any circumstances, use the scooter while it is charging or connected to the charger. And make sure to charge your scooter in conditions that do not exceed 40°C or below 0°C.**
- 🕒 The charging time is approximately 5.5 hours. Charging longer than that may affect battery life and/or performance. If the charger's light doesn't turn on, it may not be fully connected. Check that it is securely connected to the outlet and to the scooter.**

USAGE

We sincerely hope every operator can ride the E68 PRO safely. Note the following information before attempting to ride your E68 PRO.

-  • An ASTM F1492 approved helmet as well as other protective gear must be worn at all times.
 - The E68 PRO supports up to 265lbs (120kg).
 - Before each ride, especially if you may travel a long distance,, check all cables for damage, and test the brakes. Do not ride if any part of the scooter is damaged or malfunctioning.
 - Only operate the E68 PRO where permitted. Local laws may restrict where you may ride.
 - In compliance with UL2272 standards, power to the E68 PRO's motorized wheel may cut off during continuous uphill travel and/or other cases which cause the motor to overheat. If the motor overheats, this safety feature will trigger automatically. Stop riding and allow ~15 minutes before using the motor again. In general, continuous uphill travel at 10~15° slopes for long periods of time is not recommended.
-  The E68 PRO contains a motor and may be classified as a motor vehicle under local laws in your area. It is your responsibility to understand and abide by any local laws restricting how or where you may ride.

5.1 How to Ride

Assuming you have equipped suitable protective gear and that the E68 PRO has been placed on a level surface, is charged, and does not have any issues, follow the steps below. For your safety, please read this entire section before attempting to ride.

- Start your scooter by pressing the power button.

- Cruising is as simple as press the Cruise button on the keyboard.
- Use the bell to alert pedestrians and other riders of your presence .
- Turn the headlight on/off by press the headlight switch on the handlebar.
- The S key indicates the gear status, there are 3 levels of adjustment, respectively white, yellow, red, pressing upshift button(+) and downshift button(-) can be from white to yellow to red
White: 10MPH or 16KM/H
Yellow: 15MPH or 25KM/H
Red: 20MPH or 32KM/H
- To slow down, gradually ease off the throttle and apply pressure to the hand brake.
- To stop, apply full pressure to the hand brake and release the accelerator until the scooter stops completely.



- | | |
|-------------------|-----------------|
| 1. Handbrake | 4. Display |
| 2. Bell | 5. Power Button |
| 3. Handlebar grip | 6. Accelerator |



- **When the headlight is turned on, the taillight will also light up for increased visibility.**
- **Gear speeds are approximate. Actual speed may vary due to terrain, rider weight, and/or other factors.**

Step-by-Step

Step 1. Carefully step on with one foot and stand upright but relaxed. Grab both handlebar grips.

Step 2. Keep one foot on the ground and kick off to begin accelerating manually. Use the handles to steer.

Step 3. To stop, release the throttle and use the handbrake to gradually coast to a stop then step off the scooter one foot at a time. Be extra cautious when dismounting for the first time. When using the brake, the taillight will blink automatically.

Step 4. To turn the scooter off, remain at a complete stop and press the power button. The display and lights will turn off as the scooter powers off.

Cruise Mode

Step 1. Accelerate to reach the desired speed.

Step 2. Press the Cruise button to enter the Cruise mode. Press the upshift button+ and downshift button- to adjust the cruise speed.



Step 3. Use the throttle or the brake to turn off Cruise Control.

5.2 Practicing Guidelines

Practice until you are comfortable with using all of the scooter's functions. See the following tips below.

- Wear casual clothing and flat, closed-toe shoes to maintain your flexibility and stability.
- Practice until you can easily get on, move forward, turn, stop, and dismount with ease.
- Make sure the pavement is even. Do not operate on a slope until you are experienced.
- The E68 PRO is designed for relatively smooth, flat terrain. When driving on uneven terrain, slow down.
- Until you are comfortable using the scooter, avoid operating in places with pedestrians or obstacles.

MAINTENANCE

-  • **Do not perform any maintenance when the power is on, or the battery is charging. Do not let water or liquids get into the scooter as this will cause permanent damage to the electronic components.**
- **After each ride, especially if you have traveled a long distance, inspect your scooter.**
 1. Inspect the brake to make sure it's working properly.
 2. Make sure all screws and bolts are taut and properly fastened to prevent injury and unnecessary wear and tear.
-  **For questions, concerns, or part replacement, please contact customer service.**

6.1 Cleaning

The E68 PRO may need cleaning after riding for extended periods of time. See the following tips below.

- Completely power off the scooter before cleaning.
- Use dry, non-abrasive cloth to gently remove debris or dust.
- If needed, dampen cloth with water or a mild cleaner and wipe off the scooter.
- Never use alcohol or ammonia-based cleaning solutions.
- Never spray liquid directly onto any part of the scooter.
- Do not allow any type of liquid to come in contact with the scooter's electronic parts.

6.2 Storage

- Before storing the scooter, fully charge it to prevent battery over-discharge due to non-use.
- If storing the scooter for more than one month, discharge and recharge the battery every three months.
- Cover the scooter to protect it from dust. Do not store in a dusty environment as, with all electronic devices, this may cause damage over time.
- DO NOT store the scooter in an unheated garage, shed, or other location with extreme temperature fluctuations or ranges. Store only in environments where temperatures will be stable and kept between -20°C to 60°C.

6.3 Transportation

Before moving, lifting, or otherwise transporting the scooter, turn it off. Fold the scooter (see Section 3.1 for instructions) and pull the scooter along as you move it if needed.



When lifting the entire scooter, please note that the E68 PRO weighs approximately 55 lbs (25kg). If you are unsure of your ability to lift this weight, please use both hands or have a second person help.

Section 7

SPECIFICATIONS & BUTTON FUNCTIONS

7.1 Specifications

Top Speed	20 MPH(32KM/H)
Motor Power	Rated 500W
Max Mileage Per Charge	About 18.8 Miles(30KM)
Weight Capacity	265 lbs(120Kg)
Battery Capacity	48V 7.8Ah
Battery Charger	DC54.6V 1.5A
Charge Time	About 5.5 Hours
Charger Power Requirement	AC100-240V~50/60Hz 2A Max
Tire Size	10 Inch Tires

7.2 Button Functions

Button	Operations	Functions
Power Button	Long press for 3 seconds	Turn on/ Turn off the scooter.
Power Button	Short press 2 time	Switch kilometers and miles.
Cruise Button	Short press 1 time	Enter the cruise mode by the current speed.
+ Upshift Button	Press 1 time	From white to yellow to red
- Downshift Button	Press 1 time	From red to yellow to white
Headlight Switch	Short Press 1 time	Turn on/Turn off headlight.
Headlight Switch	Long press for 3 seconds	Turn on/Turn off the pedal light.

7.3 Erro Code

Error Code	E0: Communication Failure
	E1: Accelerator Failure
	E2: Controller Overvoltage Fault
	E3: Controller Undervoltage Fault
	E4: Controller Overcurrent Fault
	E5: Motor Hall Failure
	E6: Motor Stall Fault
	E7: Phase Failure
	E8: Brake Hall Failure
	E9: Motor High Temperature Failure

Section 8

WARRANTY

We provide 12-month or 6-month warranty for different parts, please refer to the warranty or contact our service team by mail.

Category	Parts	Warranty Period
Dynamical system	Battery	12 months
	Motor	12 months
	Controller	12 months
Electrical system	Display	6 months
	Charger	6 months
	Governor	6 months
	Key switches	6 months
Wear parts	Tire	1 month



CAROMA
E68 PRO