



FESLEY
TO LEAD A NEW COOL

INSTRUCTION MANUAL

Fesley FDP1200M Digital Piano

WARNING

Manufacturer and seller expressly disclaim any and all liability for personal injury, property damage, or loss, whether direct, indirect, or incidental, resulting from the incorrect attachment, improper use, inadequate maintenance, or neglect of this product.


To connect directly with our Support team

 1-877-748-4799 (PST 8:00 am-5:00 pm, Mon-Fri)

 support@fesleymusic.com

 www.fesleymusic.com

To connect directly with our Support team

 1-877-748-4799 (PST 8:00 am-5:00 pm, Mon-Fri)

 support@fesleymusic.com

 www.fesleymusic.com

BODY ASSEMBLY INSTRUCTIONS

To ensure the correct assembly of the piano, read this manual carefully before assembly and place the manual where it is readily available for inspection.

Please remove the main unit from the box and remove the protective cover and foam box. (Packaging and packaging materials must be kept for half a month).

During assembly or handling, keep the device raised horizontally.

Be careful of handling, be careful not to pinch your hands, or drop the device to your feet.

Before you screw the screw to the final position, gently tighten the screw slightly more easily. Wait until the screw has entered about normal time and then increase the force.

Do not use excessive force when screwing to the final position of the screw, which may damage the screw.

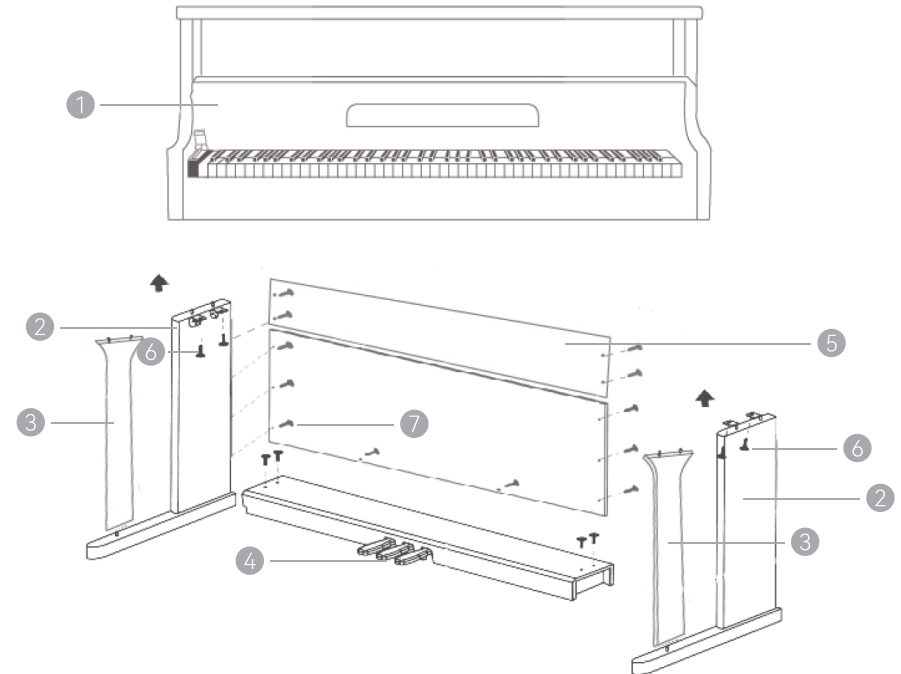
After tightening the screws, place the device in a flat and stable place. Do not place it in a flimsy stall or on the ground. In this case, the pedals are easily swayed, resulting in skin lesions.

Do not place the main body of the device directly on the floor. This will damage the bottom of the interface and bracket, and damage the host's bottom panel.

Open the box, check the box items, such as the screw package is complete.

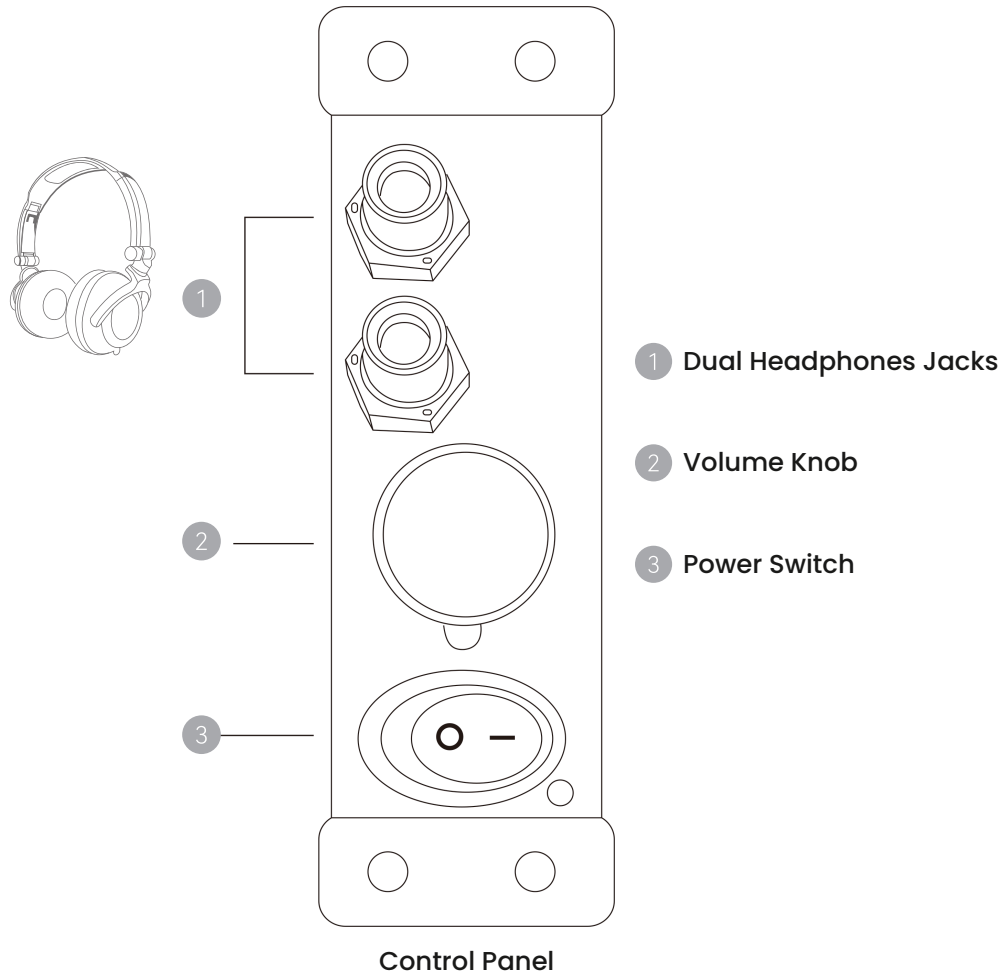
Caution: Be sure to install the pedal to support the bolt. The black plum plastic part of the pedal support handle bolt should be unscrewed until it touches the ground (This largest bolt is to play the role of supporting the pedal force).

INSTALLATION STEPS

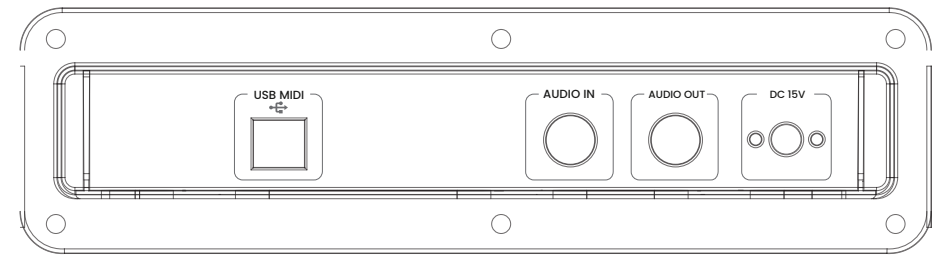


- 1 Piano Body
- 2 Left/Right Foot Components
- 3 Left/Right Leg Bending
- 4 Foot Pedal Assembly
- 5 Back Panel
- 6 Phillips Screws M6x20mm 4 Pcs
- 7 Flathead Screw M6x25mm 16 Pcs

FUNCTIONAL INDICATOR

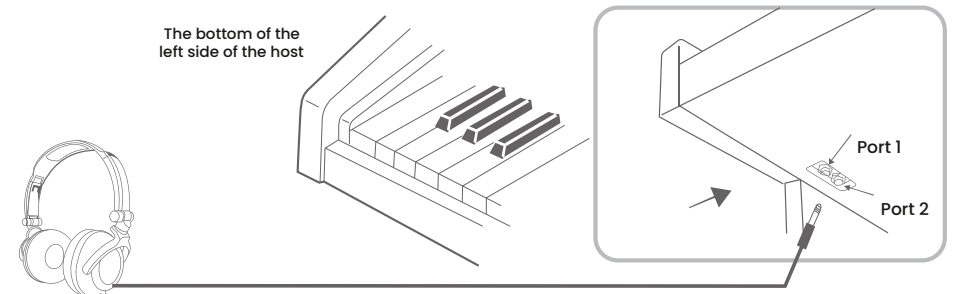


JACK SOCKET



After the board

HEADPHONE PORT

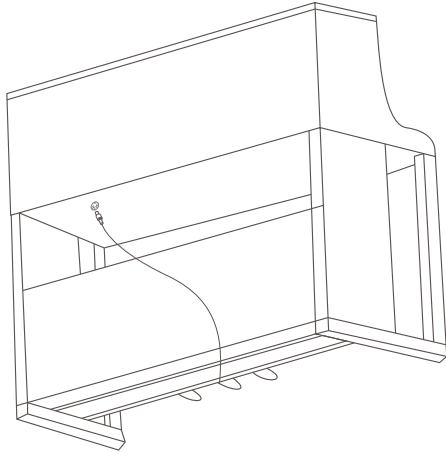


Headphone Output

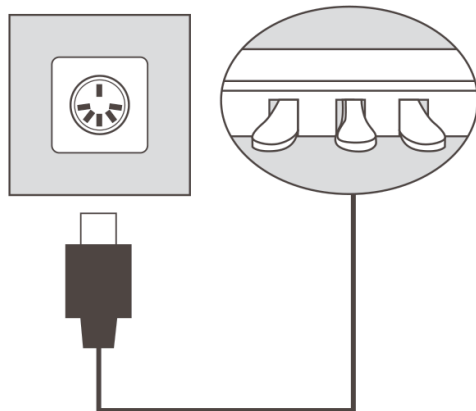
1. This product has two headphone output jacks, before connecting the headphones, please be sure to first turn down the volume of the digital piano. After connecting the headphones, please turn down the volume of the digital piano first, and then adjust the volume back to your satisfaction.
2. Connecting headphones will automatically cut off the output of the digital piano's built-in speakers, so you can play late at night without disturbing others.

THREE PEDAL INTERFACE

Pedal Cable Interface



Foot Pedal



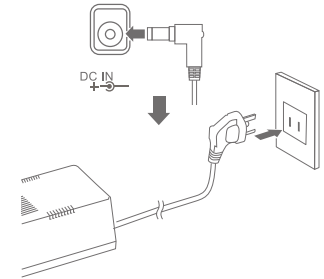
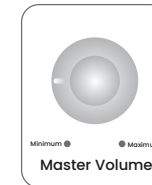
PREPARE BEFORE USE

This chapter will introduce the function jacks related to the electronic piano and give out some information before playing. Before opening the power switch of the electronic piano, please read the following items.

POWER CONNECTION

1. Confirm whether the power switch is turned off, if it is not, please turn off the power switch.
2. Connect the power cord, firstly insert the plug into the DC jack on the back of the electronic piano then plug the other end of the power adapter into the power outlet.
3. Before opening the power, adjust all volume controllers to the minimum.
4. When turning off the power of the electronic piano, first tune all volume controllers to the minimum then turn of the power switch.

POWER ON OFF

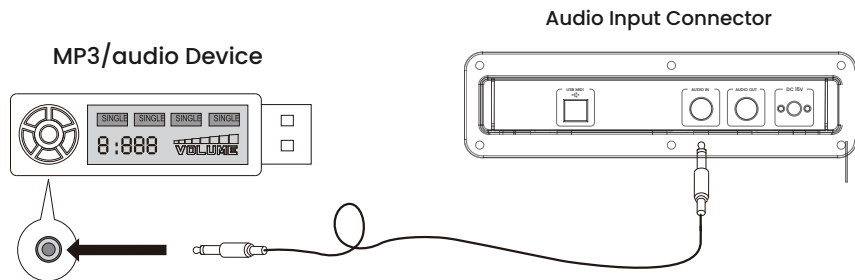


Note:

1. When you don't use the electronic piano, or when it thunders, please remove the power plug.
2. Please ensure that the power supply voltage is 220V \pm 10% AC, too high or too low voltage will cause damage to the electronic piano. And the power socket should be a triangle, it should be grounded.
3. Do not remove the power cord from the power socket when the electronic piano is still opened.

Audio Input

1. Before connecting the external audio signal to this product, please make sure to lower the volume of the audio source device first, and then adjust the volume back to your own satisfaction after the connection is completed.
2. Both ends of the standard plug (eg: MP3) or one end of the standard plug at the other end of the two pin plug (eg: DCD) cable, the audio output device and digital piano connection, turn on the audio device and the product's power switch can be in the digital piano to play the music on the audio device, you can also play the music while playing.

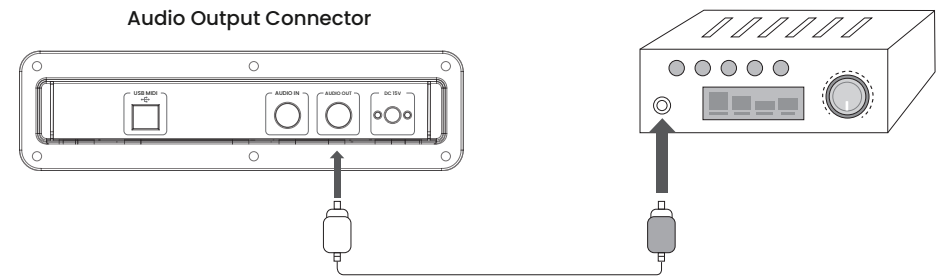


Note:

The standard plug connected to the digital piano must be a stereo plug, and the other end depends on the output connector of the audio source used, so as to ensure dual-channel input to the digital piano. Either end of the connection does not meet this requirement will result in mono input.

Audio Output

1. Before connecting the audio amplifier, please make sure to turn down the volume of the digital piano first, and then turn the volume back to your satisfaction after connection.
2. Connect the left and right channels of the digital piano to the audio amplifier with the audio cable (i.e. DVD audio cable) that has two pin plugs at both ends.



Note:

1. When connecting to an audio amplifier, turn down the volume of the digital piano.
2. When connecting the digital piano to an audio amplifier, please turn down the volume of the digital piano and adjust the output volume on behalf of the amplifier's controller.

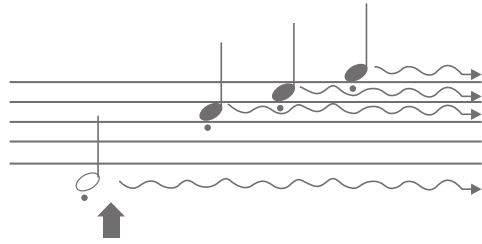
THREE PEDALINTERFACE

Three - pedal

According to the traditional grand piano, the electronic piano is manufactured. It adopts a damper pedal, a sostenuto pedal and a soft pedal which are same to that of the traditional grand piano. Step on the pedal to open; Release the pedal to close. Please connect the pedal cord to the pedal connector at the bottom of the piano.

Damper pedal

(Right) After depressing the damper pedal, notes will be extended; After releasing, the portamento effect is closed immediately.



If you step on the damper pedal there, the note and the note that you played before releasing the pedal will extend longer.

Sostenuto pedal

(Middle) Press and hold the note key while depressing the pedal, which can prolong the pressed note (as if depressing the damper pedal) but the subsequent notes will not stretch. This can lengthen the chord or single bass note while playing other sounds in a staccato way.

If you press and hold the note, while depressing the back damper pedal, this can extend the note until the pedal is released.

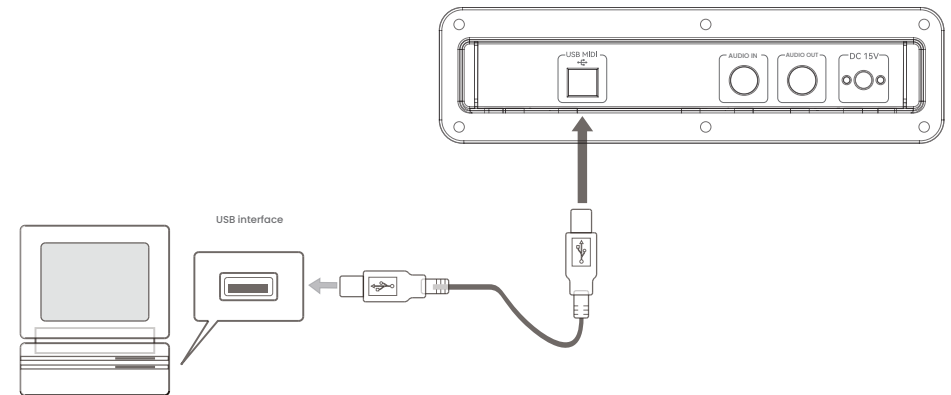
Soft pedal

(Left) Depress the soft pedal to reduce the volume of the note that you are playing, at this time, the timbre changes. The notes played before depressing the pedal are not affected.

USB/MIDI Interface

1. MID is the English initials for MusicalInstrument Dig-ta nterftace (Musical Instrument Digital Interface) MIDI is a standardized linking system for communication between digital pianos and MIDI-equipped musical devices.

2.The USB or MID interface of this digital piano can be used to connect to music devices with MIDI and computers. By using the pre-installed music software on your computer, you can play the keyboard to perform, compose, edit, store, and so on. The edited music and the built-in accompaniment of the music software can be connected to the digital piano through the software to play or play according to the accompaniment music.



AUDIO BLUETOOTH AND MIDI BLUETOOTH SUPPORT

Audio Bluetooth Function Operation Instructions

1. Turn on the power of the piano, the default Bluetooth will be turned on automatically and enter the pairing state.
2. Turn on the Bluetooth of the computer/mobile phone/tablet PC and search for the Bluetooth device. The Bluetooth name is [AUDIO_PIANO2_XXXX], and the first-time login Bluetooth password is 8888.
3. After successful pairing, you can enjoy the wonderful music through your cell phone music player.
4. Users can switch songs and adjust the volume of music playback via cell phone (cell phone support is required).

MIDI Bluetooth Function Operation Instructions (Requires Software Support)

Note: 1.The MIDI Bluetooth connection requires a computer/bluetooth connection.

2.MIDI Bluetooth connection requires computer/phone/tablet and software support, different software for MIDI Bluetooth connection requirements and methods may vary.

Priority first check the instructions of the software you are using or consult the customer service personnel of the software manufacturer. If there is no special operation, you can refer to the following steps:

1. This product supports wireless Bluetooth MIDI data transmission function.
2. Turn on the power of the piano, the default Bluetooth automatically open and enter the pairing state.
3. Turn on the computer/mobile phone/tablet Bluetooth, search for Bluetooth devices, and connect to the MIDI Bluetooth device with the name [Piano-MIDI].
4. After successful pairing, you can transmit MIDI data via wireless Bluetooth.

PRECAUTIONS

Careful maintenance and protection of this product is very important to prolong the service life of the product and reduce the failure.

• Avoid heat, moisture or direct sunlight.

Do not over-expose the product to direct sunlight or place it near an air conditioner or in an extremely hot place.

• Do not use it near a television or radio.

This product may be subject to interference and abnormal sounds. If this occurs, remove the instrument from the TV or radio.

• Do not use paints, thinner or similar chemicals for cleaning.

Clean the product with a soft cloth dampened with water, soaked in the solution and wrung out until it is nearly dry.

• Do not shake, avoid collision

The product should be placed carefully and gently when moving, and violent vibration and collision are strictly prohibited, so as not to break the shell or damage the internal electronic components.

LOCATION

Avoid placing this product in the following places, otherwise there is a risk of fire or electric shock

- 1.High temperature or dusty places
- 2.Kitchens or other places where there is grease and smoke
- 3.Places exposed to direct sunlight, or any other place where the product may be exposed to high temperatures.

• Proper assembly of the stand

If the stand is not assembled correctly, it may tip over, causing the product to fall and posing a risk of injury. Therefore, it is important to follow the instructions in the accompanying manual to ensure that the product is correctly mounted on its stand.

• Do not place heavy objects

Do not place heavy objects on this product as this may overload the top of the product, causing it to tip over or cause objects on it to fall, posing a risk of injury.

• Prohibition of disassembly and modification

Do not disassemble or modify the product in any way. Otherwise, there is a risk of electric shock, burns or other personal injury.

TROUBLE SHOOTING

Problem	Reasons	Solution
No sound when pressing the keyboard keys	<p>Cause 1: The volume controller is set at the minimum '-' position.</p> <p>Cause 2: An earphone or plug adapter is inserted in one of the earphone jacks.</p> <p>Cause 3: The power is not connected to the family 220V or piano is off.</p>	<p>Solution 1: Turn the volume control to the right maximum volume+.</p> <p>Solution 2: Unplug all headphone jack connectors.</p> <p>Solution 3: Turn on the home power, then press the "POWER" button to boot.</p>
Digital piano cannot send data after connecting with PC	/	<p>1. Check and confirm that the USB data cable is connected to the digital piano and computer, and the computer software has selected the correct music equipment.</p> <p>2. Turn off the digital piano power supply, and then end the music software on the computer. Then turn the Digital Piano back on and restart the music software on your computer.</p>
Pedal does not work	<p>Cause 1: Pedal connection jack is not plugged into the host.</p> <p>Cause 2: One end of the pedal is loose.</p>	<p>Solution 1: Plug the pedal cord into the main body socket.</p> <p>Solution 2: Ensure that the pedal connection cable connected to one end of the pedal is tight.</p>
When working with the iphone / ipad / pod touch / Android tablet app, you can hear noise from the digital piano's built-in speakers or headphones	Signal interference	<p>Solution: Before connecting the digital piano to the iphone / ipad / ipod touch / Android tablet, turn on the device's flight mode or away from other electronics home appliances.</p>

APPENDIX

Specification Parameter Table

Specification: 137.5cm*47cm*110cm	Tone: Acoustic Grand Piano
Weight: about 58.5KG	Intonation: ≤3 cents
Keys: 88	Output Power: 70W(25W*2+10W*2)
Range: A2-C5	Power Input Parameter: DC 15V 3A

ACCESSORIES

Name	Quantity	Name	Quantity
AC Transformer	1 PCS	Screws	M6×200mm 4 PCS
Pedal body	1 PCS		M6×25mm 4 PCS
Case Body	1 PCS	Printing	Subject to the box
Left/Right Foot Combination	2 PCS		
Rear Back Plate	2 PCS		