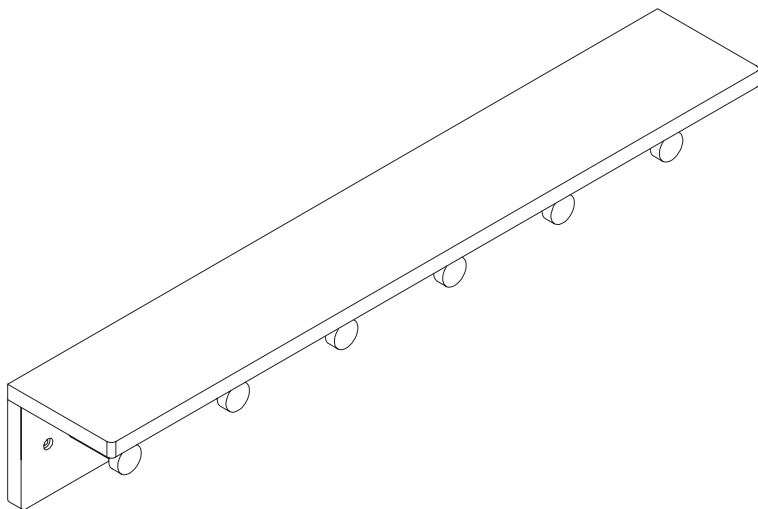




gltc.co.uk

Peg Rail, Colour Pop L5115



Assembly Difficulty



easy - medium - hard



one-person job

V3

01/07/2024

Thank you for shopping with GLTC, we hope you enjoy having this product in your home.

We know assembling furniture, toys or accessories is not everyone's favourite way to spend their time, so we've tried to make assembling this item as quick and painless as possible.

A few important pointers before you start:

- Please read the instructions right through before you start, and check that all the components have been included in the pack; we find separating all the hardware into piles makes it easier to be sure that everything is present and correct.
- Make sure you have the right tools. Allen keys are provided if required, but screw drivers and other tools are not. You'll find details of the tools you need at the beginning of the instructions.
- Do not throw away any packing materials until assembly is complete, just in case you accidentally discard smaller parts or hardware.

Could we do better?

If there is anything you think could be improved in these instructions or in the assembly of this product we'd be grateful if you could let us know; we'll pass any helpful hints and tips on to other customers via our website and update the instructions.

All you need to do is drop us a line at info@greatlittletrading.com

Thank you

Safety Warnings:

- PLEASE RETAIN THESE INSTRUCTIONS FOR FUTURE REFERENCE.
- Adult assembly required.
- In an unassembled state product contains small parts which may pose a choking hazard, not suitable for children under 3 years.
- DO NOT use power tools in the assembly of this product as there is a risk of over-tightening and consequently splitting of the wood.
- Check all fixtures and fittings regularly and tighten as necessary.
- Max total weight 10kg. DO NOT overload.

Customer Service:

- If you find that any components are missing or damaged, please do not begin assembly and do not use the item. Please contact GLTC Customer Services on **0344 848 6000** immediately.
- We do stock spare hardware packs at our warehouse, so we should be able to send you a replacement pack immediately if required.

Product Care:

- Wipe clean using a soft damp cloth followed by a dry cloth.
- Do NOT use cleaning products which contain ammonia, solvents or abrasive material.
- Do NOT expose the item to extremes of heat and humidity.

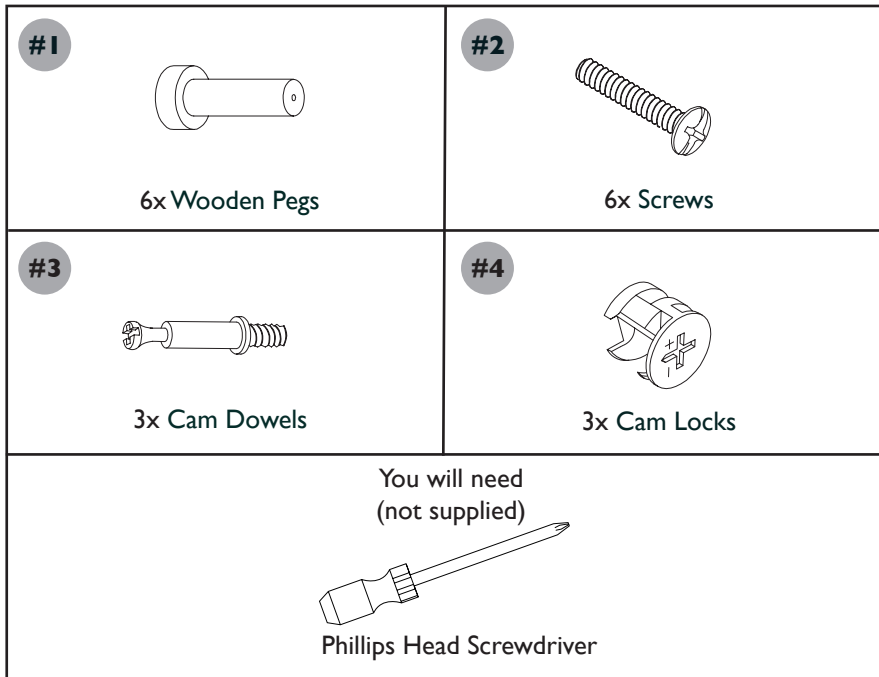
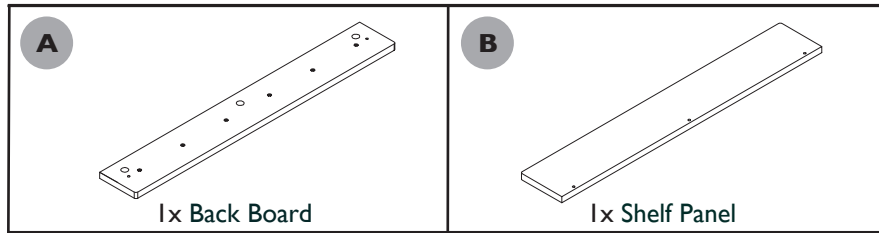
Could we do better?

If there is anything you think could be improved in these instructions or in the assembly of this product we'd be grateful if you could let us know; we'll pass any helpful hints and tips on to other customers via our website and update the instructions.

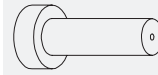
All you need to do is drop us a line at info@greatlittletrading.com

Thank you

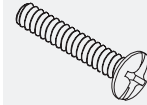
Component Check List



Hardware for Step 1:



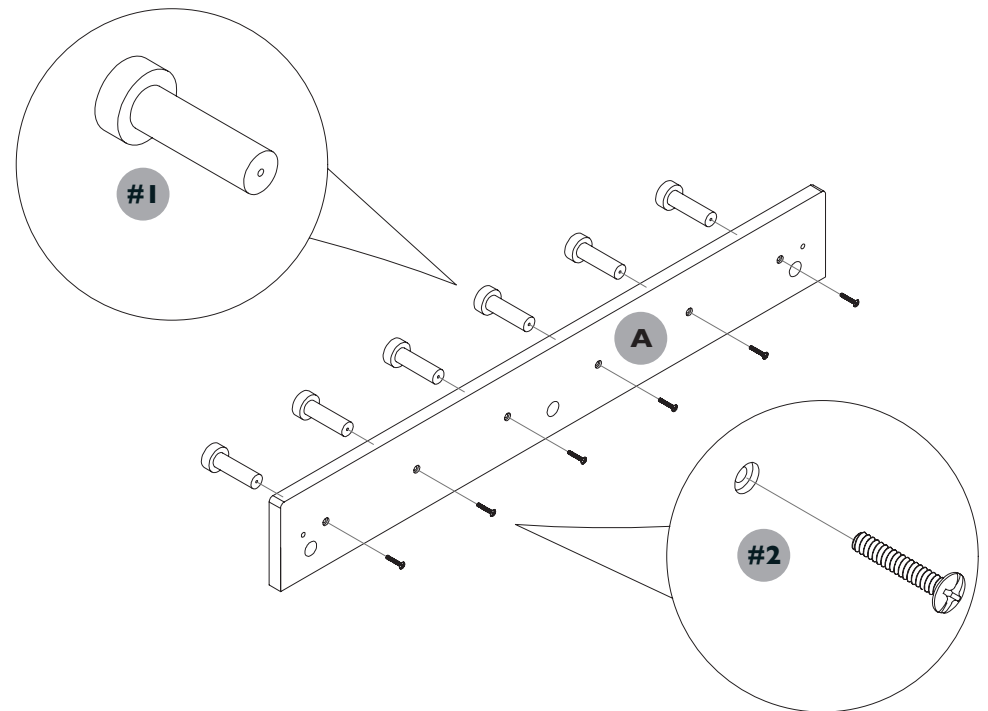
x6 #1 Wooden Pegs



x2 #2 Screws

STEP 1:

Attach 6x wooden pegs (#1) to panel A using 6x screws (#2).



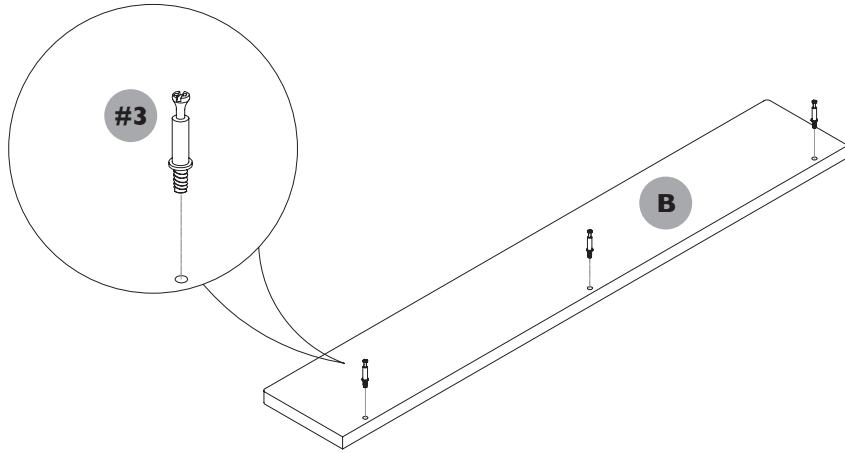
STEP 2:

Insert 3x cam dowel (#3) to panel B.

Hardware for Step 2:

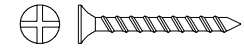


x3 #3 Cam Dowels



Your product is now ready to be attached to the wall for use.

2x Wall Fixings (NOT INCLUDED)

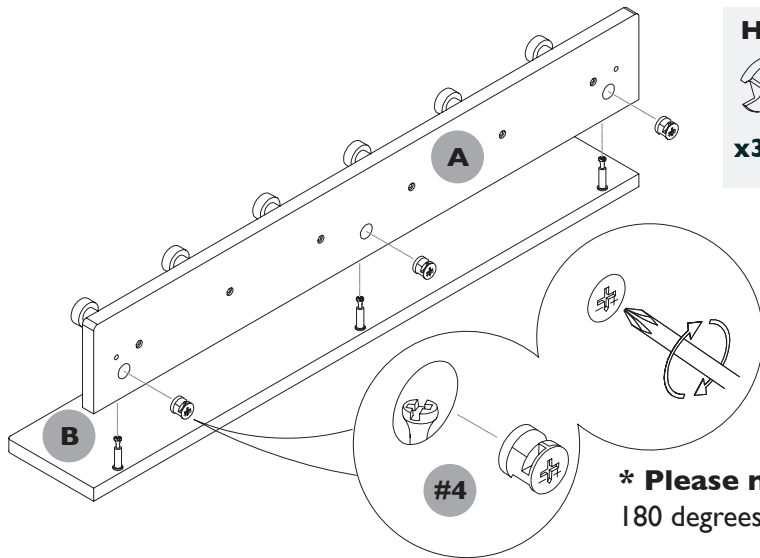


We suggest using 2 x (4x38mm) screws or screws of a similar size. Please ensure to use the appropriate wall fixing for your wall type. If in doubt, please seek professional advice.

Hardware for Step 3:



x3 #4 Cam Lock



*** Please note:** Turn cam locks 180 degrees or until tight.

STEP 3:

Attach panel A to panel B using 3x cam locks (#4).

