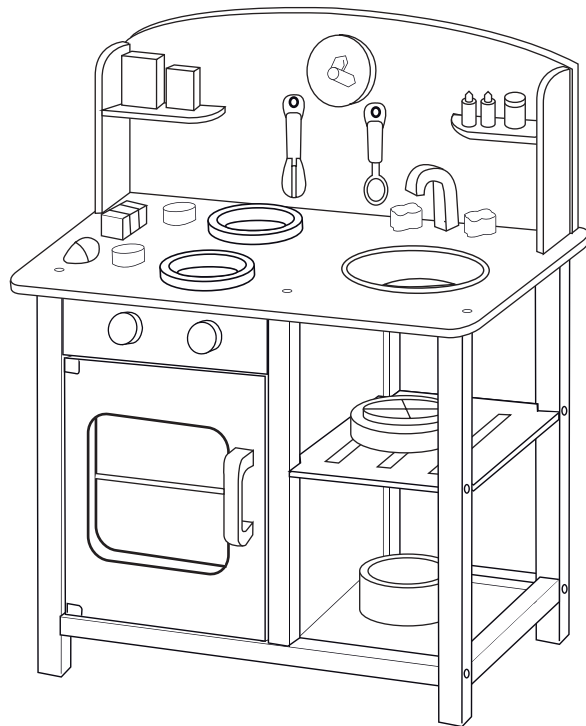




gltc.co.uk

Let's Bake Play Kitchen & Accessories

L5190



Thank you for shopping with GLTC, we hope you enjoy having this product in your home.

We know assembling furniture, toys or accessories is not everyone's favourite way to spend their time, so we've tried to make assembling this item as quick and painless as possible.

A few important pointers before you start:

- Please read the instructions right through before you start, and check that all the components have been included in the pack; we find separating all the hardware into piles makes it easier to be sure that everything is present and correct.
- Make sure you have the right tools. Allen keys are provided if required, but screw drivers and other tools are not. You'll find details of the tools you need at the beginning of the instructions.
- It's a good idea to build the unit in the room where you are going to be using it, to avoid the need to move it after it's been assembled.
- Do not throw away any packing materials until assembly is complete, just in case you accidentally discard smaller parts or hardware.

Assembly Difficulty



easy - medium - hard



one-person job

V2

12/11/2021

Safety Warnings:

- Adult assembly required.
- Not suitable for children under 3 years due to small parts that may present a choking hazard.
- Assemble and use on a flat and level surface.
- Unassembled product contains small parts which may present a choking hazard
- Children should be kept away from the product during assembly to avoid any possible risk of injury.
- DO NOT use power tools in the assembly of this product as there is a risk of over-tightening and consequently splitting of the wood.
- Check all fixtures and fittings regularly and tighten as necessary.
- Check the item regularly for signs of damage which may make the product unsafe.
- Dispose of packaging carefully to avoid injury to young children.
- Please retain these instructions for future reference.

Customer Service:

- If you find that any components are missing or damaged, please do not begin assembly and do not use the item. Please contact GLTC Customer Services on **0344 848 6000** immediately.
- We do stock spare hardware packs at our warehouse, so we should be able to send you a replacement pack immediately if required.

Product Care:

- Wipe clean using a soft damp cloth followed by a dry cloth.
- Do NOT use cleaning products which contain ammonia, solvents or abrasive material.
- Do NOT expose the item to extremes of heat and humidity.

Could we do better?

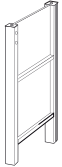
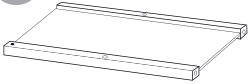
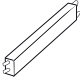



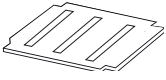
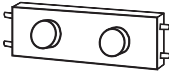
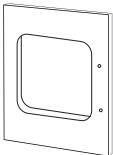




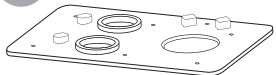



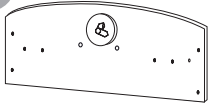
If there is anything you think could be improved in these instructions or in the assembly of this product we'd be grateful if you could let us know; we'll pass any helpful hints and tips on to other customers via our website and update the instructions.

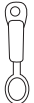
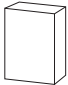
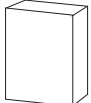

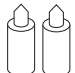
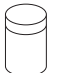




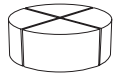




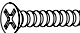
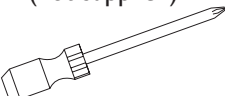

All you need to do is drop us a line at [**instructions@gltc.co.uk**](mailto:instructions@gltc.co.uk)

Thank you

	Registered Address: GLTC Ltd, 12 Buckhold Road, Wandsworth, London, SW18 4GP, United Kingdom
	Authorised Representative: Authorised Representative Service, 77 Camden Street Lower, Dublin, D02 XE80, Ireland

Component Check List

A  1x Left side panel	B  1x Base shelf	C  1x Base bar
D  1x Back right leg	E  1x Front right leg	F  1x Centre panel
G  1x Shelf	H  1x Control Panel	I  1x Oven door
J  1x Oven handle	K  1x Oven shelf	L  1x Oven back panel
M  1x Tap	N  1x Worktop	O  1x Shelf
P  1x Shelf	Q  2x Side wings	R  1x Backboard

 1x Mixing spoon	 1x Sugar	 1x Flour	
 1x Whisk	 2x Icing pens	 1x Sprinkles shaker	
 1x Butter	 1x Egg	 1x Mixing bowl	
 1x Cake tin	 1x Cake	 1x Sink	 1x Wall Strap
#1  15x Screws 24mmL	#2  6x Bolts 35mmL	#3  6x Bolts 22mmL	
#4  7x Screws 25mmL	You will need (not supplied)  Phillips Head Screwdriver	 1x Allen Key	

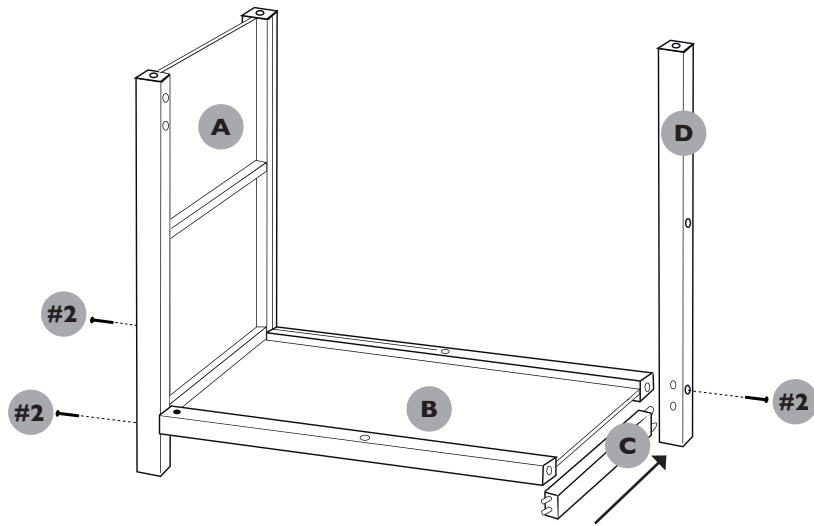
Hardware for Step 1:



3x #2 35mmL bolts

STEP 1:

Attach left side panel (A) and back right leg (D) to base shelf (B) using 3x bolts (#2). Attach bottom bar (C) as shown.



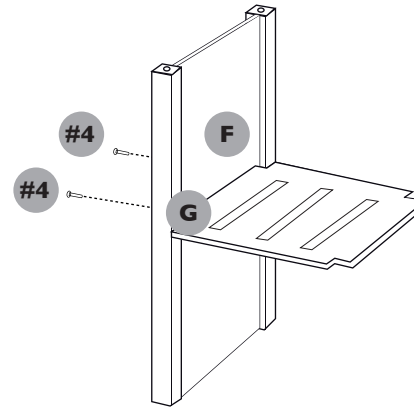
STEP 3:

Attach shelf panel (G) to centre panel (F) using 2x screws (#4).

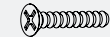
Hardware for Step 3:



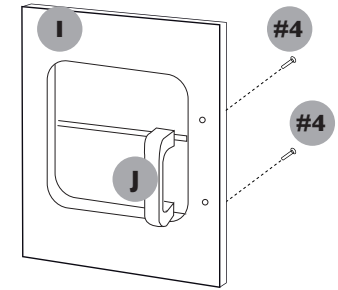
2x #4 25mmL screws



Hardware for Step 4:



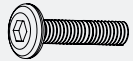
2x #4 25mmL screws



STEP 4:

Attach the oven handle (J) to oven door (I) with 2x screws (#4).

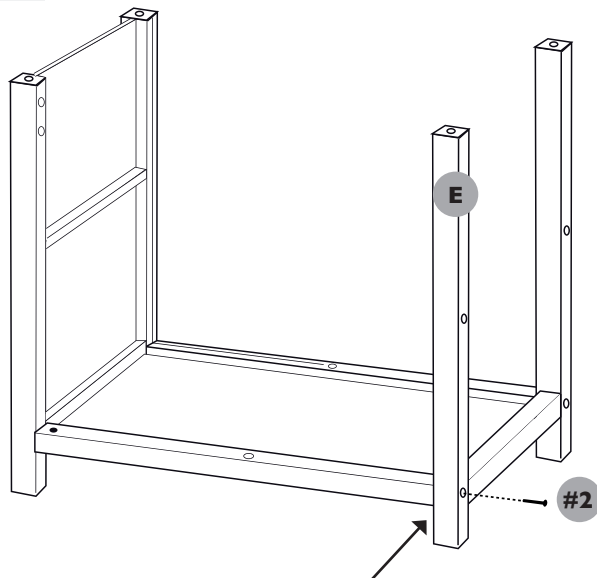
Hardware for Step 2:



1x #2 35mmL bolt

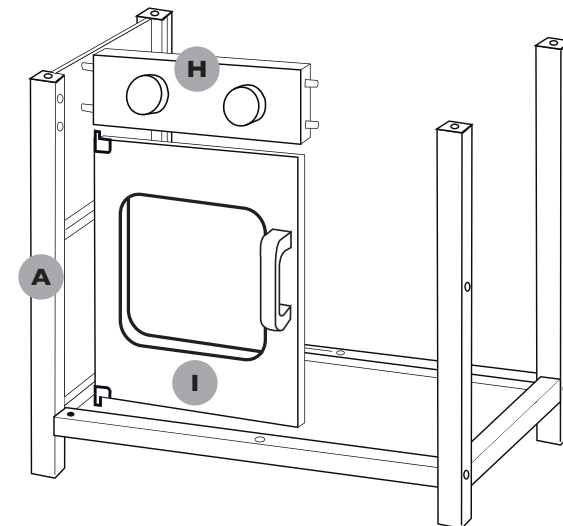
STEP 2:

Attach front right leg (E) using 1x bolt (#2).



STEP 5:

Line up oven door (I) and control panel (H) using already attached dowels onto the side of panel A (from step 1).



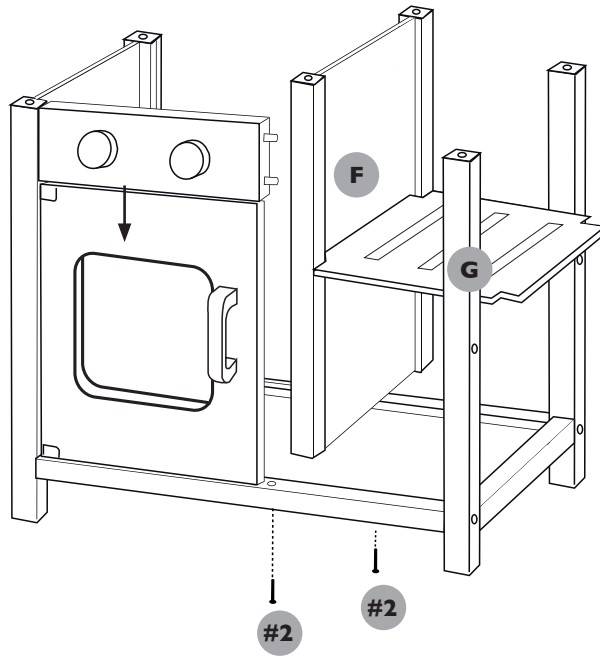
Hardware for Step 6:



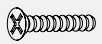
2x #2 35mmL bolt

STEP 6:

Insert assembled centre panel (F) and shelf (G). Attach using 2x bolts (#2).



Hardware for Step 7:

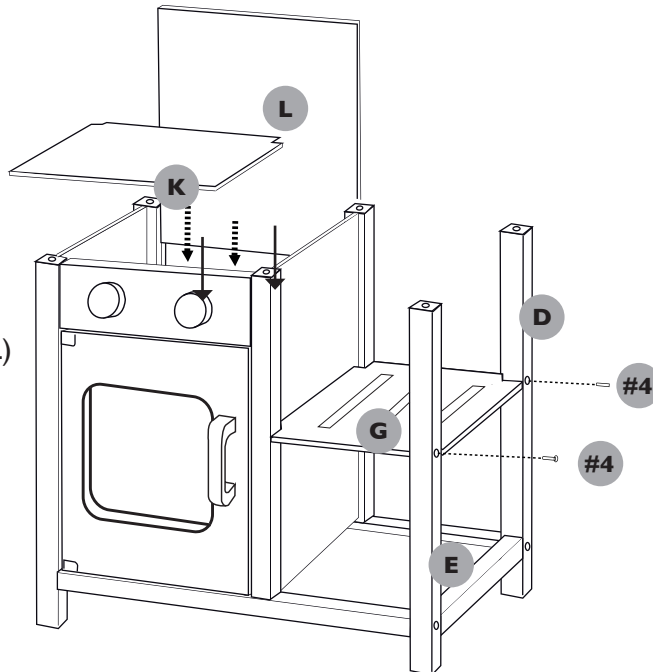


2x #4 25mmL screws

STEP 7:

Screw the shelf (G) in place using 2x screws (#4).

Insert the oven back panel (L) and oven shelf (K).



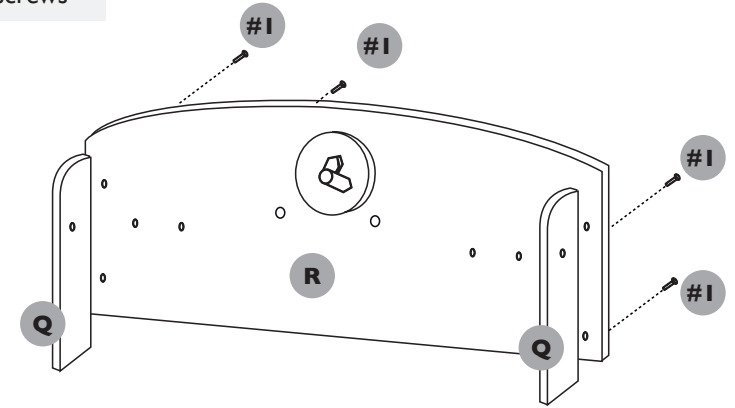
Hardware for Step 8:



4x #1 24 mmL screws

STEP 8:

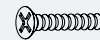
Attach side wings (Q), to backboard (R) using 4x screws (#1).



Hardware for Step 9:



5x #1 24mmL screws

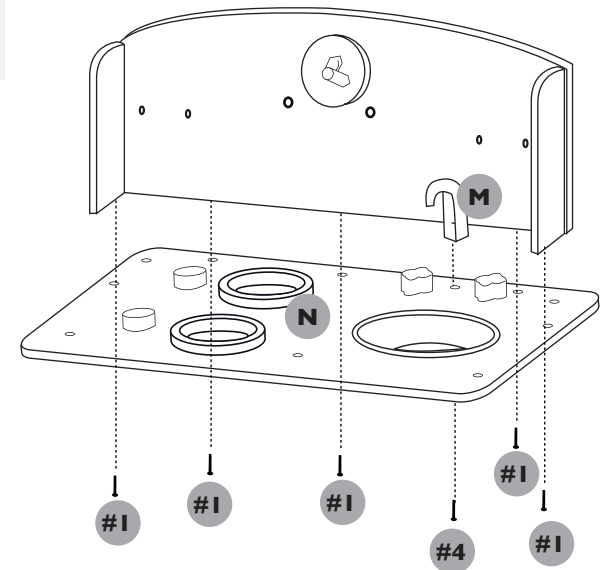


1x #4 25mmL screws

STEP 9:

Attach the tap (M) to the worktop (N) using 1x screw (#4).

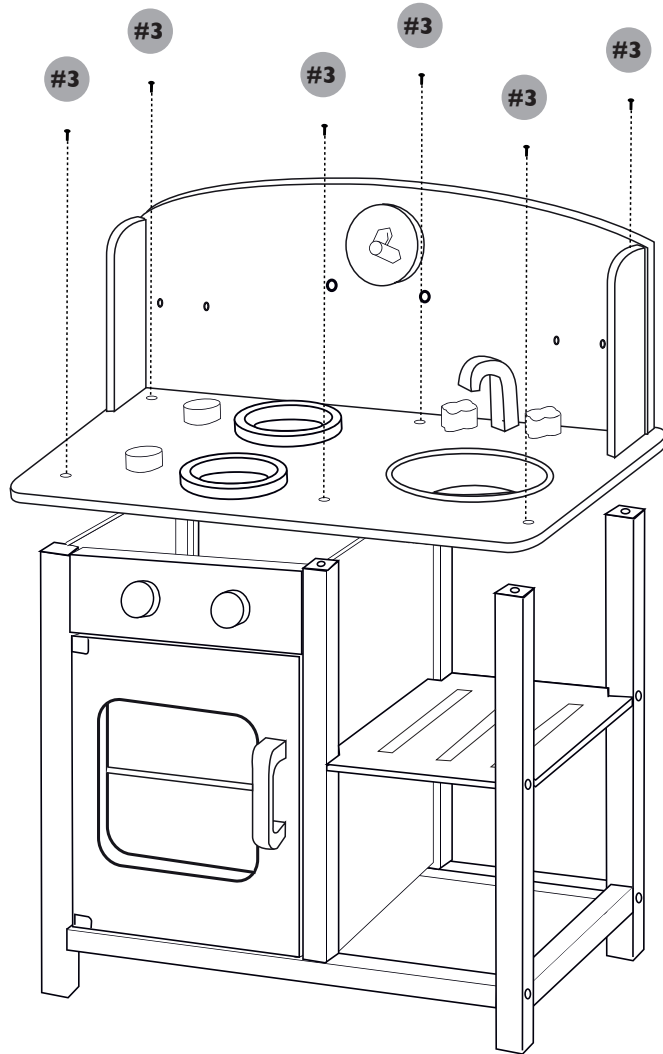
Attach back panel to worktop using 5x screws (#1).



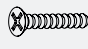
Hardware for Step 10: **STEP 10:**


6x #3 22mmL bolts

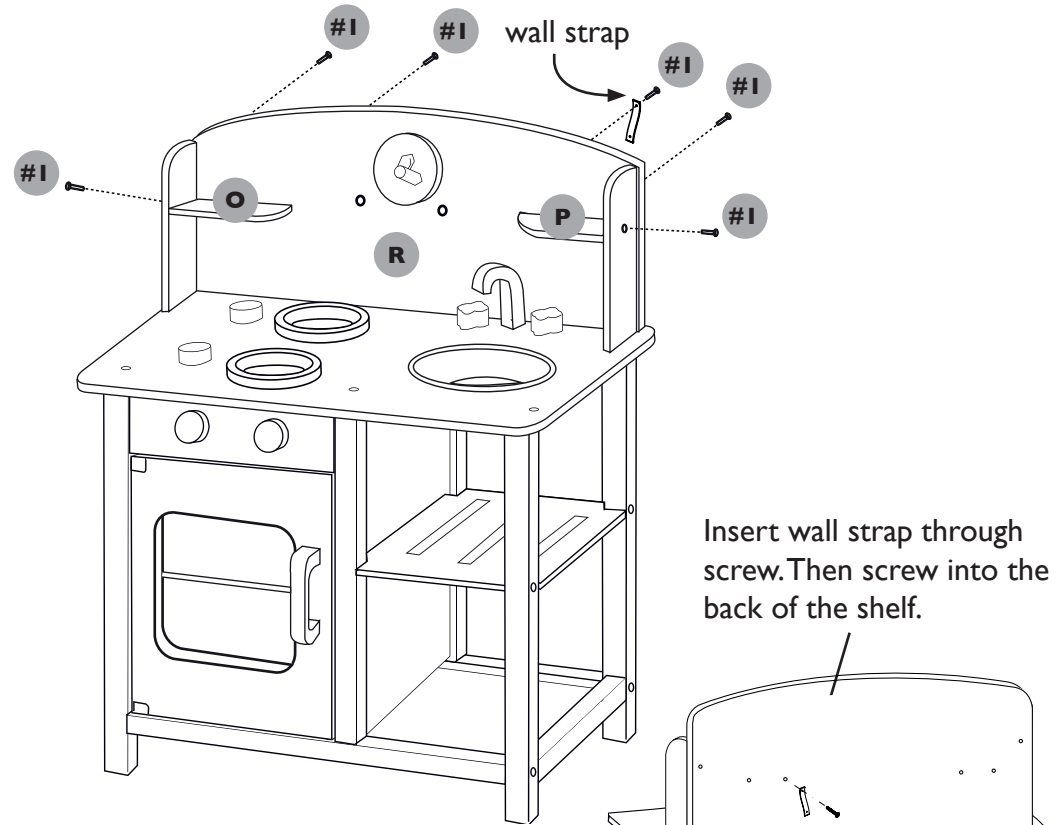
Attach the assembled top section to the base using 6x bolts (#3)



Hardware for Step 11: **STEP 11:**


6x #1 24 mmL screws

Attach shelves (O & P), to backboard (R) and side wings (Q) using 6x screws (#1).



When attaching shelf P, please use the right centre screw to also secure the anti-tip strap. Once attached the strap should now be attached to the wall using hardware that is suitable for the walls in your home (not provided).

