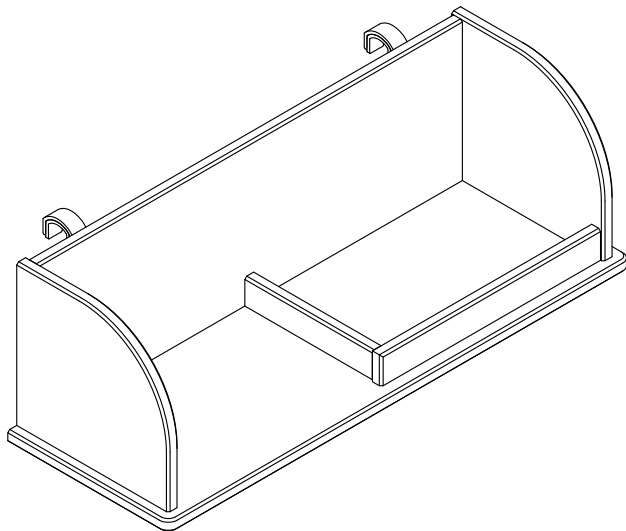




gltc.co.uk

## Clip on Bedside Table L5196



**Thank you for shopping with GLTC, we hope you enjoy having this product in your home.**

We know assembling furniture, toys or accessories is not everyone's favourite way to spend their time, so we've tried to make assembling this item as quick and painless as possible.

### **A few important pointers before you start:**

- Please read the instructions right through before you start, and check that all the components have been included in the pack; we find separating all the hardware into piles makes it easier to be sure that everything is present and correct.
- Make sure you have the right tools. Allen keys are provided if required, but screw drivers and other tools are not. You'll find details of the tools you need at the beginning of the instructions.
- It's a good idea to build the unit in the room where you are going to be using it, to avoid the need to move it after it's been assembled.
- Do not throw away any packing materials until assembly is complete, just in case you accidentally discard smaller parts or hardware.

Assembly Difficulty



easy - medium - hard



one-person job

V2

25/05/2021

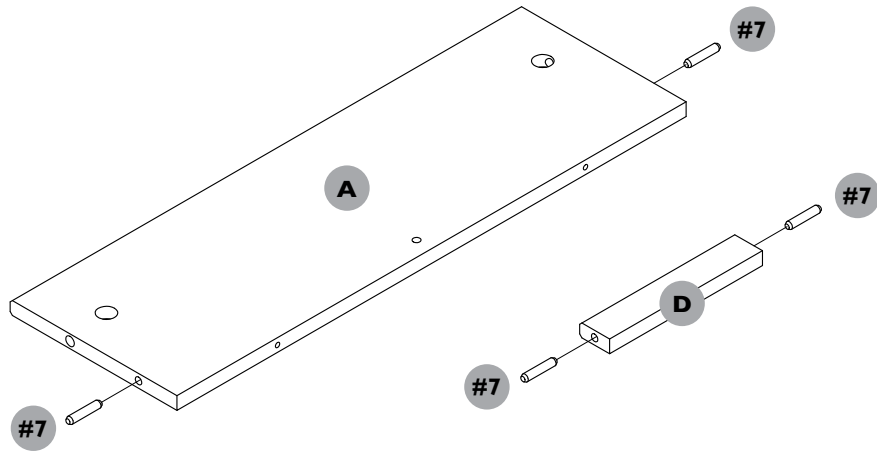




**Hardware for Step 1:**



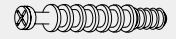
**4x #7** Wooden Dowels



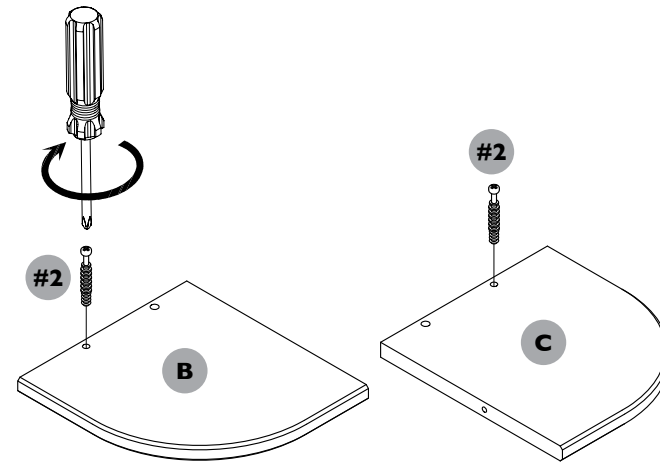
**STEP 1:**

Attach x4 wooden dowels (#7) to back Panel (A) and Upstand Side Panel (D)

**Hardware for Step 2:**



**2x #2** Cam Dowels



**STEP 2:**

Attach x2 cam dowels (#2) to side panel (B) and side panel (C).





