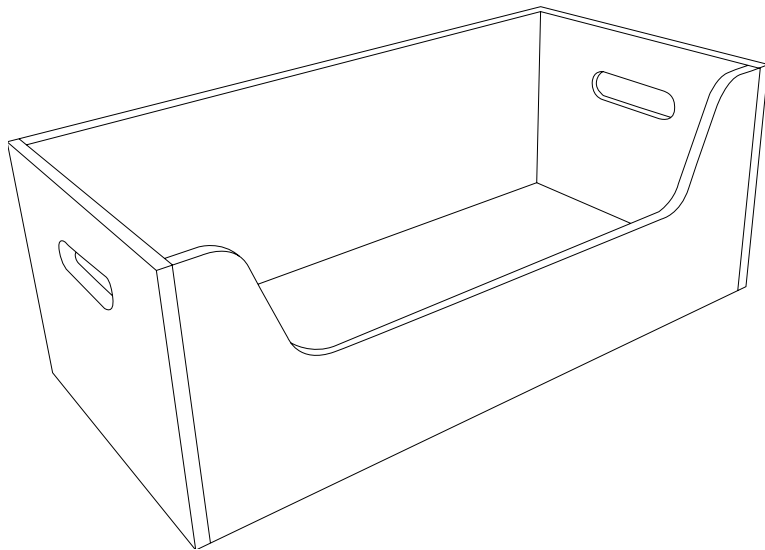




gltc.co.uk

Rackham Toy Box L3907



Assembly Difficulty



easy - medium - hard



one-person job

V3

11/07/2024

Thank you for shopping with GLTC, we hope you enjoy having this product in your home.

We know assembling furniture, toys or accessories is not everyone's favourite way to spend their time, so we've tried to make assembling this item as quick and painless as possible.

A few important pointers before you start:

- Please read the instructions right through before you start, and check that all the components have been included in the pack; we find separating all the hardware into piles makes it easier to be sure that everything is present and correct.
- Make sure you have the right tools. Allen keys are provided if required, but screw drivers and other tools are not. You'll find details of the tools you need at the beginning of the instructions.
- It's a good idea to build the unit in the room where you are going to be using it, to avoid the need to move it after it's been assembled.
- Do not throw away any packing materials until assembly is complete, just in case you accidentally discard smaller parts or hardware.

Could we do better?

If there is anything you think could be improved in these instructions or in the assembly of this product we'd be grateful if you could let us know; we'll pass any helpful hints and tips on to other customers via our website and update the instructions.

All you need to do is drop us a line at info@greatlittletrading.co.uk

Thank you

Safety Warnings:

- Adult assembly required.
- Unassembled product contains small parts which may present a choking hazard.
- Children should be kept away from the product during assembly to avoid any possible risk of injury.
- Assemble and use on a flat and level surface.
- To avoid possible injury from tipping - Do not allow children to climb on this or multiple stacked units.
- Maximum weight load 12kg. Do not overload.
- Serious or fatal crushing injuries can occur from furniture tipping over. Ensure you secure this furniture product to the wall before you use it using the kit provided. If you have not received an anti-tip kit with your product please contact Customer Services.
- Check all fixtures and fittings regularly and tighten as necessary.
- Please retain these instructions for future reference.

Customer Service:

- If you find that any components are missing or damaged, please do not begin assembly and do not use the item. Please contact GLTC Customer Services on info@greatlittletrading.co.uk immediately.
- We do stock spare hardware packs at our warehouse, so we should be able to send you a replacement pack immediately if required.

Product Care:

- Wipe clean using a soft damp cloth followed by a dry cloth.
- Do NOT use cleaning products which contain ammonia, solvents or abrasive material.
- Do NOT expose the item to extremes of heat and humidity.

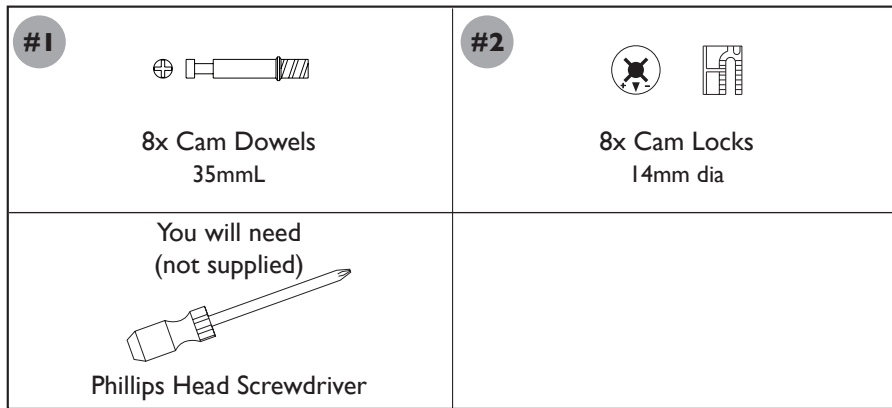
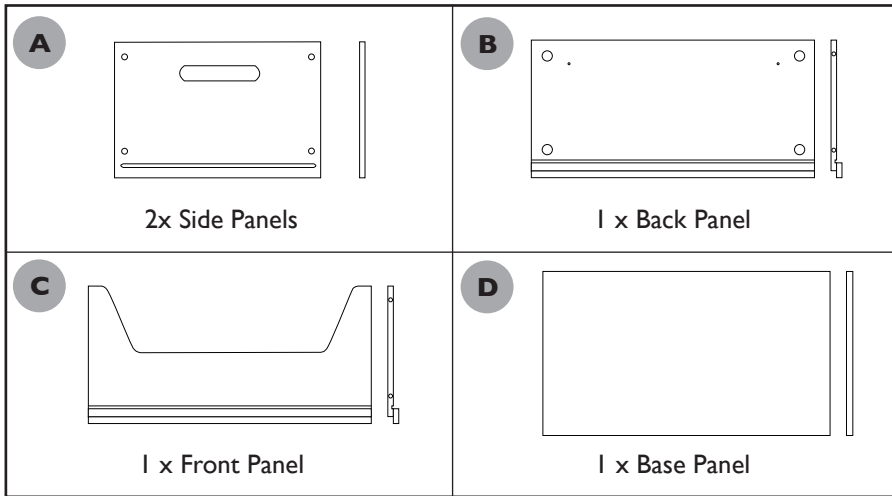
Could we do better?

If there is anything you think could be improved in these instructions or in the assembly of this product we'd be grateful if you could let us know; we'll pass any helpful hints and tips on to other customers via our website and update the instructions.

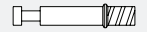
All you need to do is drop us a line at info@greatlittletrading.co.uk

Thank you

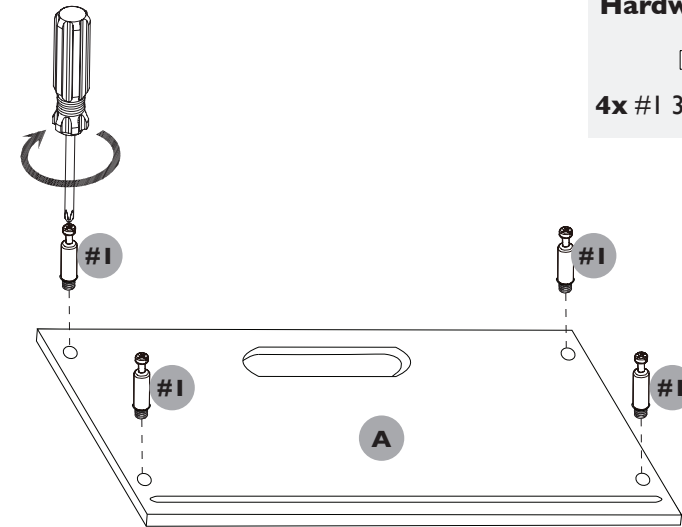
Component Check List



Hardware for Step 1:



4x #1 35mmL cam dowels



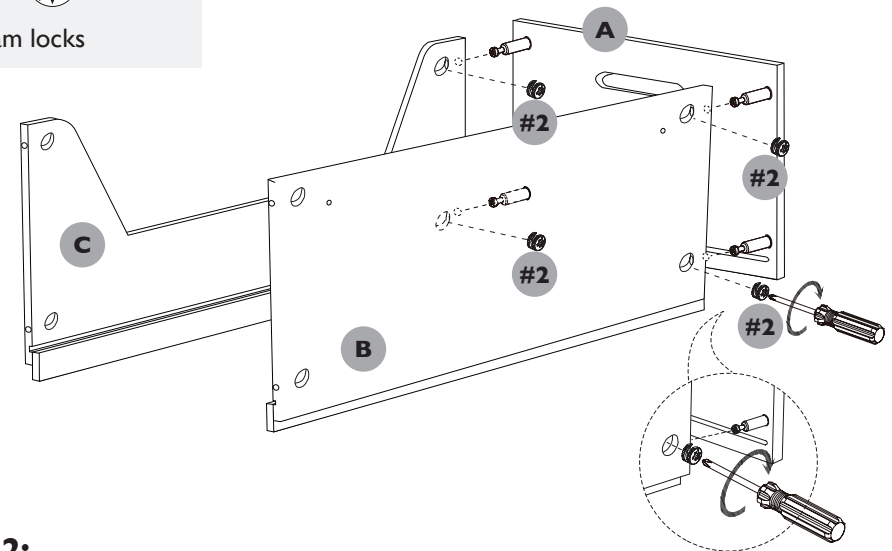
STEP 1:

Using the screwdriver, insert 4x cam dowels (#1) into the left side panel (A).

Hardware for Step 2:

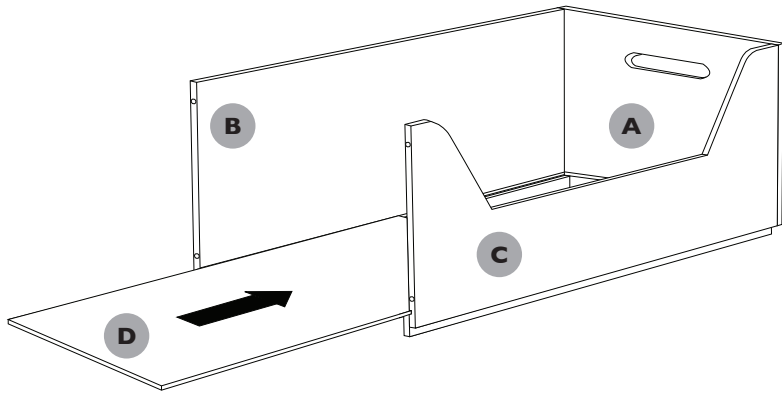


4x #2 cam locks



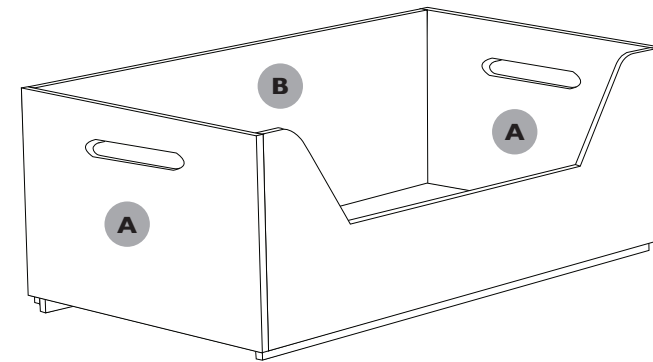
STEP 2:

Line up front panel (C) to side panel (A) and attach using 2x cam locks (#2). Repeat the process for the back panel (B) using 2x cam locks (#2). Tighten the cam locks with the screwdriver.



STEP 3:

Slide base panel (D) into the grooves as shown above.



STEP 5:

Assembled item.

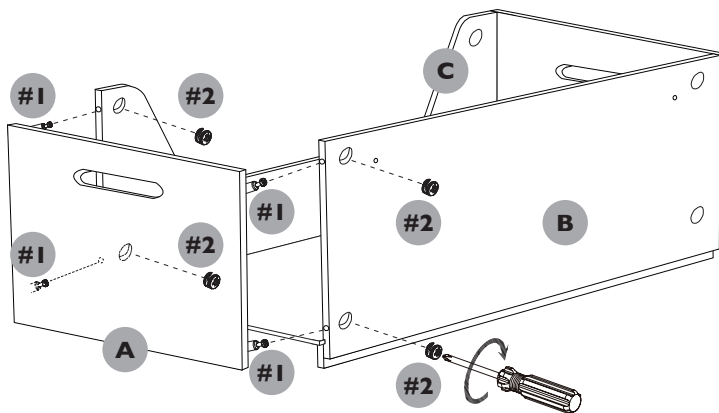
Hardware for Step 4:



4x #1 35mmL cam dowels



4x #2 cam locks



STEP 4:

Using the screwdriver, insert 4x cam dowels (#1) into the right side panel (A). Line up front panel (C) to side panel (A) and attach using 2x cam locks (#2). Repeat the process for the back panel (B) using 2x cam locks (#2). Tighten the cam locks with the screwdriver.

STEP 6: Please be aware that we advise that safety straps are used to secure this to the wall. The 2x pilot holes indicated on the unit are to attach the anti tip straps included separately with this item. For details on securing the unit to the wall see the anti-tip kit guidance.

Please note that we advise that if stacked, only the top unit is required to be tethered to the wall. You may receive multiple anti-tip kits if multiple stacking units are purchased.

