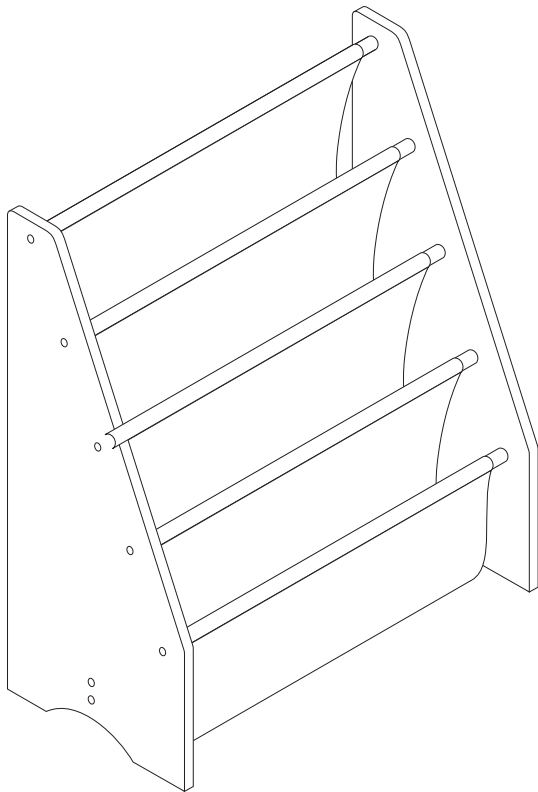




gltc.co.uk

Sling Bookcase



Assembly Difficulty



easy - medium - hard



one-person job



14/05/2019

Thank you for shopping with GLTC, we hope you enjoy having this product in your home.

We know assembling furniture, toys or accessories is not everyone's favourite way to spend their time, so we've tried to make assembling this item as quick and painless as possible.

Hopefully our efforts will have been worthwhile and you'll sail through the whole process. But if it all feels a bit too much like hard work, then we do have an assembly company we can recommend: the Flatpack Construction Company offers a nationwide service and can be contacted on **0843 289 4951** or **www.flatpackconstruction.co.uk**.

A few important pointers before you start:

- Please read the instructions right through before you start, and check that all the components have been included in the pack; we find separating all the hardware into piles makes it easier to be sure that everything is present and correct.
- Make sure you have the right tools. Allen keys are provided if required, but screw drivers and other tools are not. You'll find details of the tools you need at the beginning of the instructions.
- It's a good idea to build the unit in the room where you are going to be using it, to avoid the need to move it after it's been assembled.
- Do not throw away any packing materials until assembly is complete, just in case you accidentally discard smaller parts or hardware.

Safety Warnings:

- Adult assembly required.
- Not suitable for children under 3 years due to small parts that may become detached and present a choking hazard.
- Children should be kept away from the product during assembly to avoid any possible risk of injury.
- DO NOT use power tools in the assembly of this product as there is a risk of over-tightening and consequently splitting of the wood.
- Check all fixtures and fittings regularly and tighten as necessary.
- Check the item regularly for signs of damage which may make the product unsafe.
- Please retain these instructions for future reference.
- **WARNING! FURNITURE TIPPING RISK.** Serious or fatal crushing injuries can occur from furniture tipping over. Ensure you secure this furniture product to the wall before you use it, using the kit provided. If you have not received an anti-tip kit with your product please contact Customer services.

Customer Service:

- If you find that any components are missing or damaged, please do not begin assembly and do not use the item. Please contact GLTC Customer Services on **0344 848 6000** immediately.
- We do stock spare hardware packs at our warehouse, so we should be able to send you a replacement pack immediately if required.

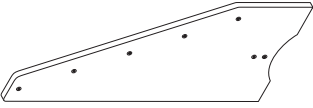
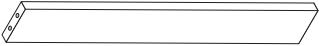


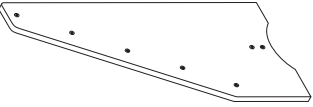
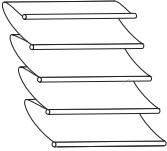

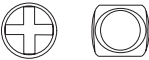
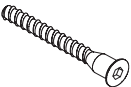
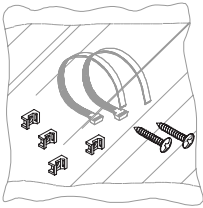

Product Care:

- Wipe clean using a soft damp cloth followed by a dry cloth.
- Do NOT use cleaning products which contain ammonia, solvents or abrasive material.
- Do NOT expose the item to extremes of heat and humidity.

Could we do better?

If there is anything you think could be improved in these instructions or in the assembly of this product we'd be grateful if you could let us know; we'll

Component Check List

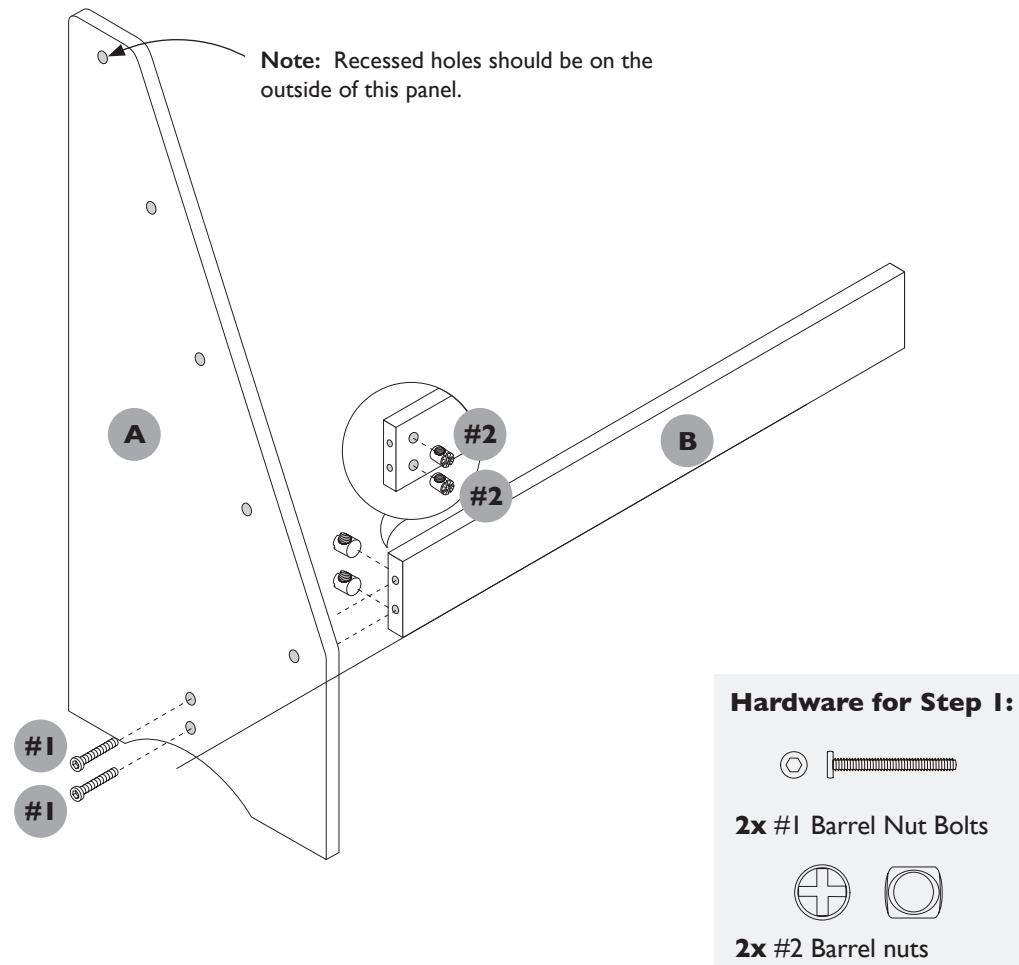
<p>A</p>  <p>1x LH Side Panel</p>	<p>B</p>  <p>1x Support Panel</p>
<p>C</p>  <p>1x Top Pole</p>	<p>D</p>  <p>4x Lower Poles</p>
<p>E</p>  <p>1x RH Side Panel</p>	<p>F</p>  <p>1x Fabric Sling</p>
<p>#1</p>  <p>6x Barrel Nut Bolts</p>	<p>#2</p>  <p>6x Barrel Nuts</p>
<p>#3</p>  <p>8x Wider thread screws</p>	<p>#4</p>  <p>1x Anti-tip kit</p>
 <p>Allen Key</p>	

STEP 1:

Attach the support panel to side panel A with 2x barrel nuts (#2) & bolts (#1). Tighten with allen key.

Ensure the hole on the barrel nut is facing the direction the bolt will be inserted.

NOTE: Make sure the drill holes on the support panel are facing the same direction as the straight edge of the side panel. It will mean the hardware will not show when fully built.



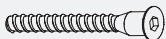
Hardware for Step 2:



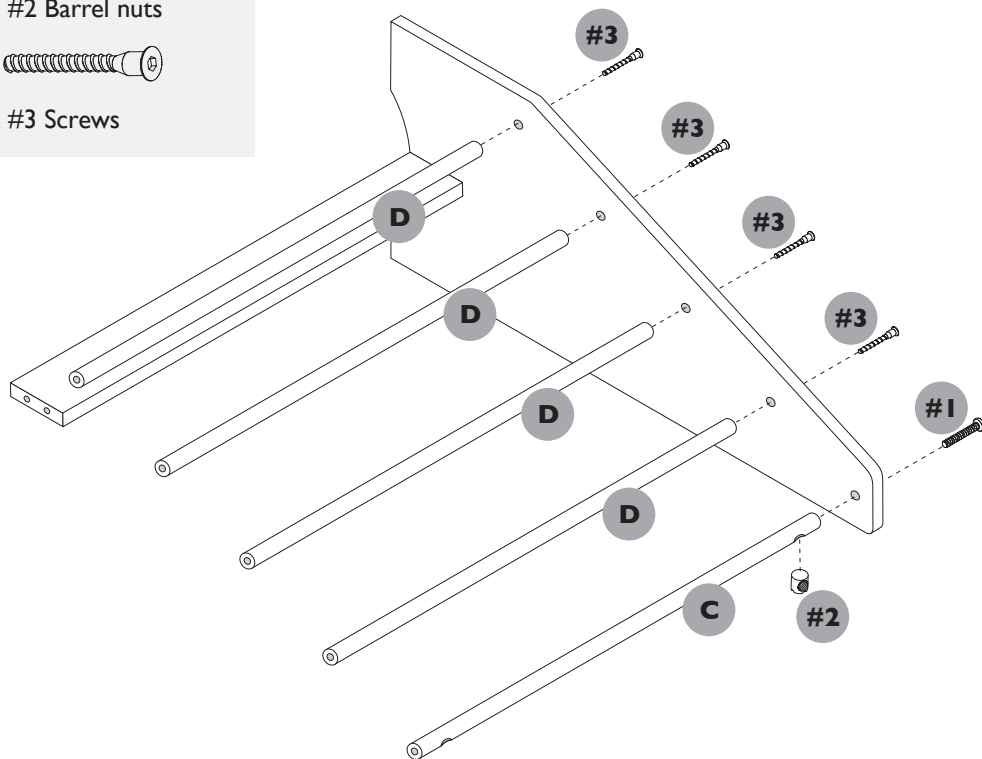
1x #1 Barrel Nut Bolt



1x #2 Barrel nuts



4x #3 Screws



STEP 2:

Lay the side panel on it's back.

Take top pole C (with the holes) and attach to the side panel with 1x barrel nut (#2) & bolt (#1).

Tighten with allen key provided. Make sure the hole on the pole is facing the floor.

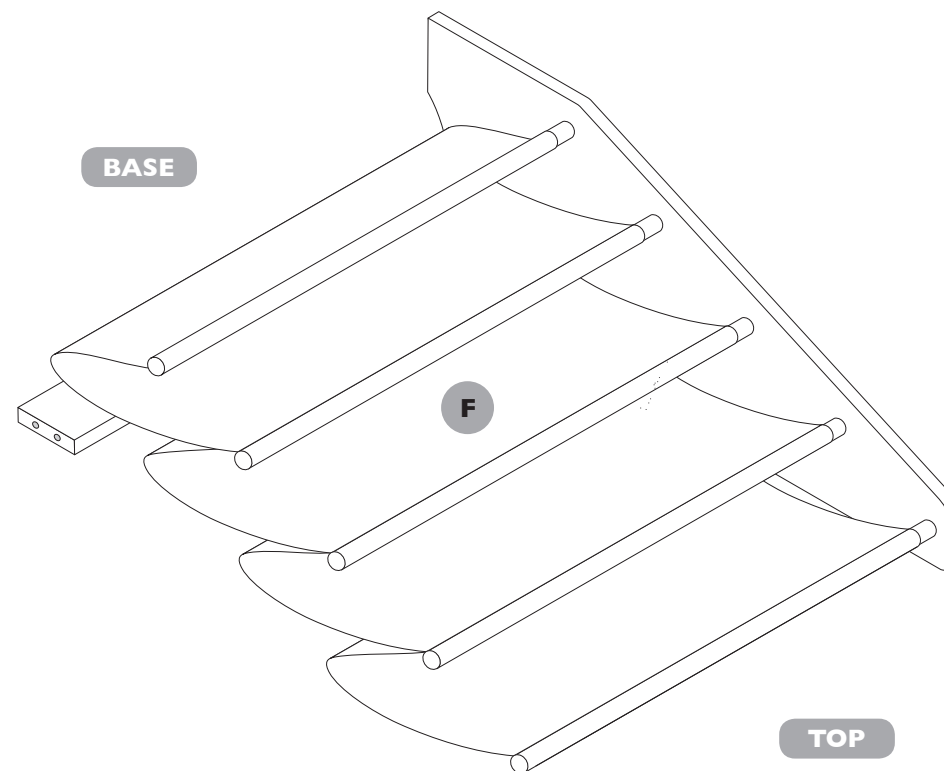
Attach the remaining poles (D) with 4x wider thread screws (#3). Tighten with allen key.

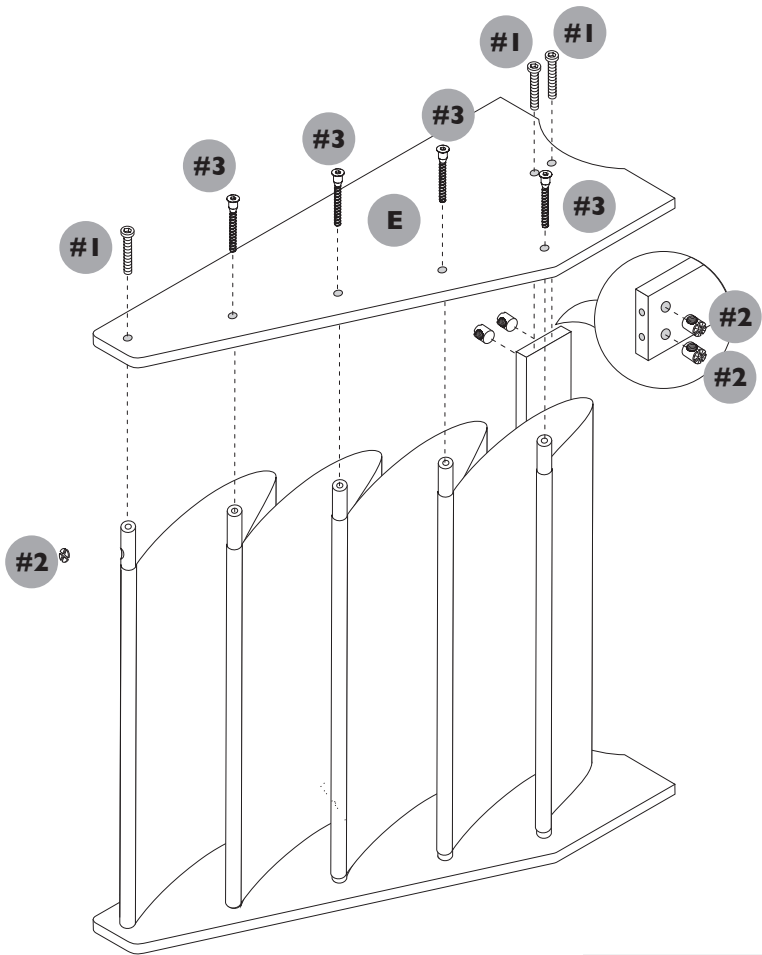
As you are inserting into wood, this can feel tight but please ensure the hardware is fully tightened and sitting inside the recessed holes of the side panel.

STEP 3:

Add the fabric sling to the part assembled bookcase,

If your sling is patterned, please make sure the double sided part of the sling is at the base of the unit (by the support bar).





STEP 4:

Attach the remaining side panel (E) using 3x barrel nuts (#2) & bolts (#2) on the top pole and support panel connections.

4x wider thread screws (#3) fix the remaining poles.

Use the allen key to tighten and again, please make sure all the hardware is fully tightened/inserted.

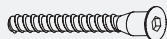
Hardware for Step 4:



3x #1 Barrel Nut Bolts



3x #2 Barrel nuts



4x #3 Screws

STEP 5:

Your unit is now ready to use.

Before you use your unit, we strongly advise that you use the anti-tip kit (included) to secure this product to the wall. There are pilot holes for the brackets on the straight back edge of the unit.

