

GENE
PRO **S1**

**FIRST EVER AI-POWERED
GOLF RANGEFINDER**



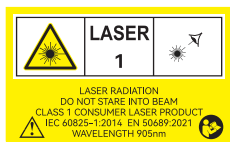
User Manual

MILESEY[®] GOLF

Safety Instructions

Warning

- DO NOT look into the laser aperture when using the device, otherwise it cause damage to your eyes.
- DO NOT use the device to view the sun or aim it directly towards the sun, for it may hurt your eyes permanently, cause damage to the components inside and the eyepiece.
- DO NOT store the device in environments with temperatures exceeding the recommended range (-10°C to 60°C).



Disposal:

- Commitment to Environmental Protection: Environmental protection is a shared responsibility. Be mindful of their environmental impact while using this product.
- Battery Disposal: Disposing of waste batteries in household garbage is strictly prohibited. Please ensure that waste batteries are disposed of at designated collection stations for proper handling.
- Product Disposal: This product should not be discarded with regular domestic waste. Instead, it must be disposed of in accordance with local regulations and guidelines specific to your country/region.

Bite Magnetic Mount

The GenePro S1 is equipped with a strong BITE magnet integrated into the bottom of its housing. This design enables secure attachment of the device to a golf cart's bar or frame, ensuring stability and ease of access during play.



Warning

Medical Device Interference: Contains a neodymium magnet. Keep away from pacemakers and defibrillators to prevent interference.

Heat Sensitivity: Exposure to temperatures over 175°F (80°C) may reduce magnetic attraction.

Electronic Damage Risk: The strong magnetic field may affect TVs, computers, credit cards, mechanical watches, hearing aids, and more. Avoid placing near sensitive electronic devices.

Pinching Hazard: Use caution to prevent skin or finger pinching when attaching to metal surfaces.

Maintenance

● **Initial Cleaning:** Gently remove dust or debris with a soft lens brush or by blowing on the lens.

● **Removing Marks:** Use the provided microfiber cloth for cleaning. Lightly breathe on the lens for moisture and then wipe gently in a circular motion. Avoid coarse materials and excessive rubbing to prevent scratches.

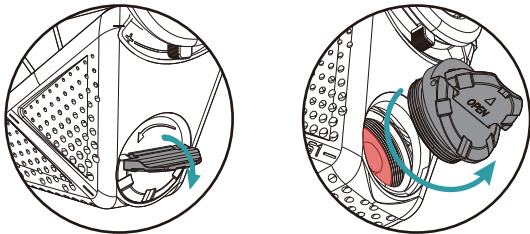
● **Deep Cleaning:** For thorough cleaning, use photographic lens tissue with lens cleaning fluid or isopropyl alcohol. Apply the fluid to the cloth, not directly on the lens.

Water Resistance Caution: The rangefinder is water-resistant but not waterproof. Do not submerge it in water or liquids.

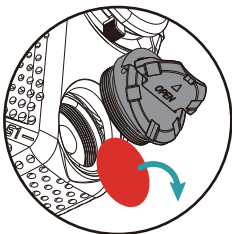


Battery Installation

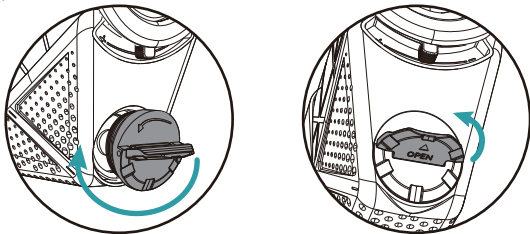
1. Pull up the rotating handle on the battery cover and rotate counter-clockwise until the battery cover is opened.



2. Remove the battery insulation sheet from the battery compartment.

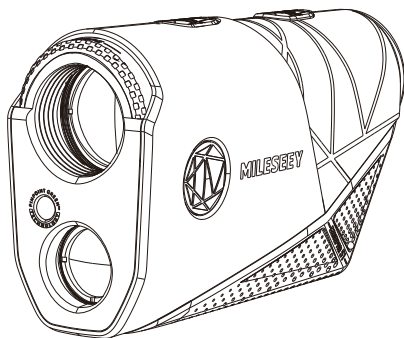


3. After removing the insulation sheet, turn it clockwise to tighten the battery cover.

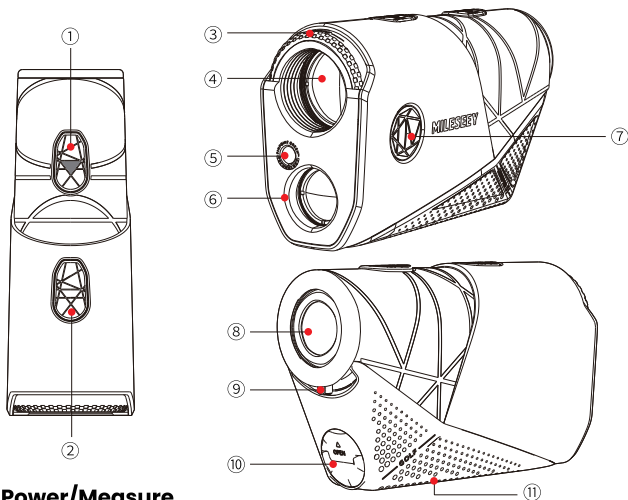


Product Description

MILESEEEY GenePro S1 is an industry-leading laser rangefinder designed to help golf players to enjoy and excel at every game. It offers an advanced PinPoint Green™ mode with SmartSlope™ that allows users to measure the distance from the ball to the hole and the slope information with unparalleled accuracy. Equipped with cutting-edge sensors, GenePro S1 delivers high-precision rangefinding compensating for various environmental factors. It combines Flag Seeking, Pulse Vibration, Rain&Fog Mode, Slope Switch and Magnetic Mount into one sleek and modern design.



Overview



1. Power/Measure

Short press to power on/measure;
Long press to enable flagpole scanning.

2. Modes & Settings

Short Press the Setting button to switch among the modes;
Long press the Setting button to enter the setting options.

3. External Slope Switch

4. Objective Lens

5. Rangefinder Lens¹

6. Rangefinder Lens²

7. Dual Display Button

8. Eyepiece

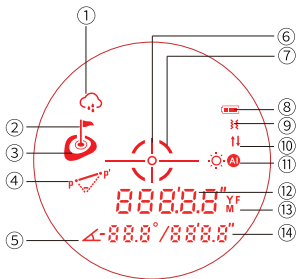
9. Diopter Dial

10. Battery Compartment

11. Bite Magnet

Display Indicator

1. Rain & Fog mode
2. Flag-locking confirmed
3. PinPoint Green™ mode
4. Coach mode
5. Slope(° degree)
6. Flag-lock mode icon
7. Flag-lock confirming ring
8. Battery level indicator
9. Single measurement vibration
10. Wireless communication enabled
11. AI mode
12. Line of sight distance
13. Units
14. Slope adjusted distance




Initial Operations and Settings

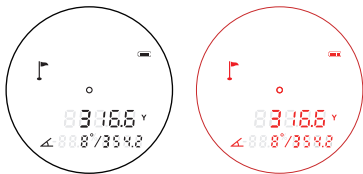
Power On/Off:

Short Press the power button () to power on the device.
The device automatically powers off after 16s of inactivity.

Dual Display:

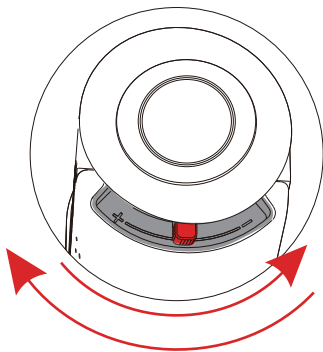
To switch the Dual Display color from Black to Red, simply press the button () located on the left side of the rangefinder.

(The Red OLED Display will automatically adjust the the brightness that adapts to and aligns with the ambient light conditions. It'll lower the brightness when the the ambient light gets darker; otherwise it turns brighter. You can also manually change the brightness according to the varying lighting condition to reach the most comfortable vision.)



Basic Operation:

When using the GenePro S1, look through the device and press the Power/Measure button briefly to activate the display. If you find the display's icons and numbers are not clear, rotate the diopter dial in either direction to bring them into focus. To measure, aim the circle surrounded by crosshairs (located at the center of the display) at a target that is at least 5 yards away. Then, press and hold the Power/Measure button. The "line of sight" distance will appear near the bottom of the display. A large aiming circle will blink to indicate that the laser is active. Once the range has been measured and displayed, you can release the Power/Measure button. The blinking of the large aiming circle will stop, signifying that the laser transmission has ceased.




Instructions for Optimal Use:

Before measuring, ensure to adjust the diopter for optimal clarity.

During measurement, if the target's reflection is weak or beyond the measurable range, the display will show "---" as an indication. The measurement range is influenced by various factors including the material and inclined angle of the target surface, as well as the current weather visibility. Typically, a smooth, bright surface with a larger area under cloudy, fog-free conditions will extend the measurement range. In contrast, rough surfaces, smaller areas, or less ideal weather conditions may result in a shorter measurement range.

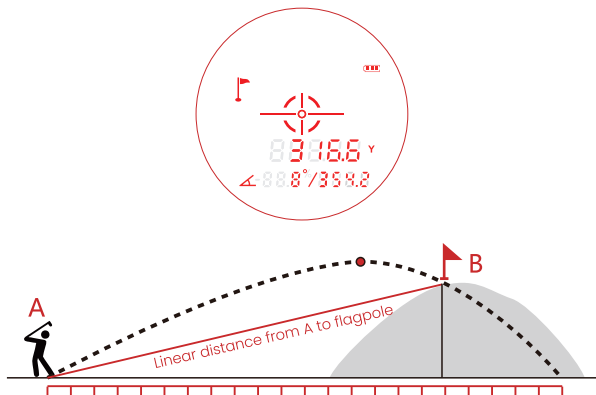
Mode Switch:

Short press the Mode button () to switch among the following modes:

- Flag-lock Mode
- PinPoint Green™ Mode
- Coach Mode

Flag-locking and Vibration


Align the aiming circle, surrounded by crosshairs, with the targeted flag. Then, press and hold the Measure button to begin scanning and hovering over the flagpole. The rangefinder will lock onto the flag, and once it does, you'll feel a short vibration burst. This vibration confirms that the targeted flag has been successfully acquired. After this confirmation, the distance to the flag will be displayed. You can then release the Measure button to complete the measurement.



PinPoint Green™ Mode

The PinPoint Green™ mode, calculates the distance plus slope degrees from the ball to the hole with extreme precision. This provides golfers with the most accurate putting information, with a measurement accuracy of up to +/- 1 inch.

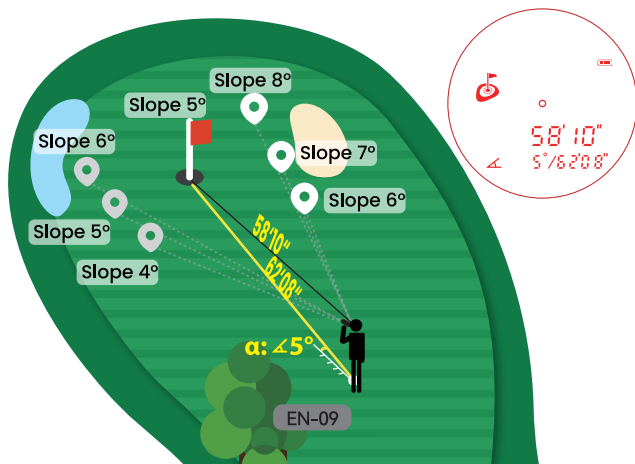
● Ball-to-hole Distance and Slope

Short press the Mode button to switch to PinPoint Green™ mode, with the icon () appearing. Vertically align the device with the ball and aim the crosshairs at the flag, press the Measure button to start measuring, and the line of sight distance, the distance to the hole and the slope angle will be displayed on the screen.

● Measure The Terrain


When the measuring process is activated, aiming at any point on the green, and short press the Measure button, the distance and slope degrees from the ball to the target point distance will be displayed, giving you detailed insights of the undulations and contours of the green.

It is advised to measure at least 3 points at each side of straight light between the ball and the hole—the near, middle, and far so that you can get more comprehensive profound data, For the near, middle, far point, ensure they are almost at the same position on each side.

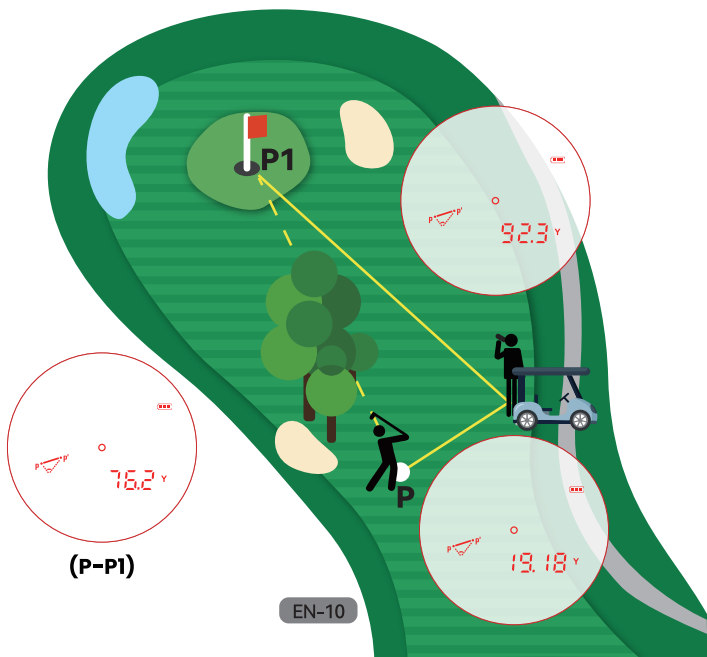


Coach Mode

With the unique coach mode, your golf buddies or friends can easily measure the distances to the flag for you from where you stand when you can't easily see the green from the ball.

Short press the Mode button to switch to the coach mode (). Short press the Measure button to activate the coach mode and the mode icon flashes. Aligning the aiming center with the spot where you stand and press measure button to acquire the first distance displayed above the crosshairs (**P**).

Then Aligning the aiming center with the flag and short press the Measure button to acquire the second distance displayed above the crosshairs (**P1**). The distance between the spot where you stand and the flag will be automatically calculated and display above the crosshairs (**P-P1**) within 3 seconds.



Slope Technology

Slope Switch

To comply with tournament rules like USGA Rule 14-3, ensure the Slope compensation feature on your GenePro S1 is turned off.

Slope is enabled by rotating the slope switch clockwise on the top of the GenePro S1.

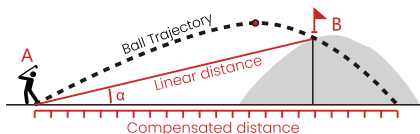


Rotate the slope switch counterclockwise to turn the Slope off.



How to Use The Slope Function

Rotate the slope switch to the "Slope On" position and verify that the Slope icon appears on the display, confirming Slope mode is active. Then, press and hold the Power/Measure button to scan and determine the distance to the flag. After the range is displayed, release the Power/Measure button. Upon releasing, the device will display the slope degrees, compensated range, and the line of sight distance.



SmartSlope™

The GenePro S1 automatically adds various environmental variables such as pressure, temperature, humidity to the Slope technology to provide golfers with the most accurate compensated distance ever at the moment.






(Normal slope distance)



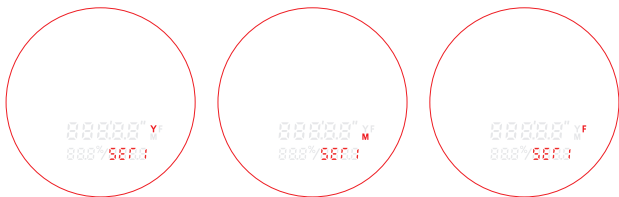
(SmartSlope™ distance)

Settings

Long press the Setting button () to enter the setting options; Short press the Measure button () to shift the sub-setting options; Short press the Setting button () to navigate to the next setting option.

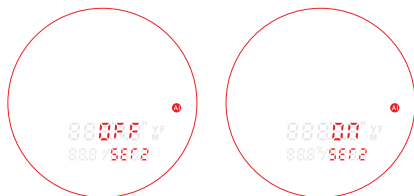
●Units:

When in the Units setting option, short press the Measure button briefly to switch among yards (Y), meters (M), and feet (Ft).



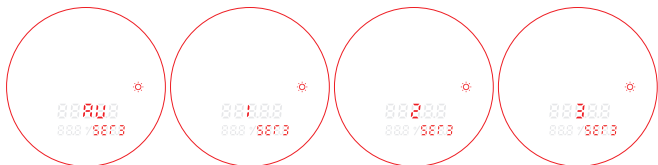
●AI:

In the AI setting option, short press the Measure button to turn on or off the AI. When the setting is on, the Auto Red & Black display shift, the Auto rain & fog mode/ sunshine mode switch, the auto brightness adjustment will also be enabled in this setting. If the setting is off, all the above auto adjustments will be disabled, and the display, rain & fog mode, brightness should be enabled by manual adjustment.



●Brightness:

In the Brightness setting option, a short press of the Measure button allows you to cycle through brightness levels 1-3 and an automatic setting.



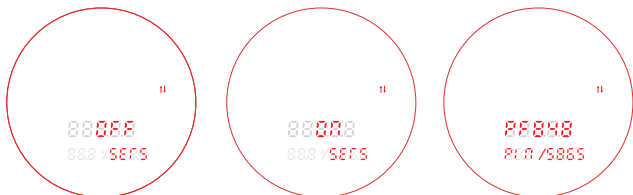
● Rain & Fog Mode:

Short press the Measure button to turn on or off the Mode. [Note: if the AI is on, the device will automatically shift to Rain & Fog mode if it is raining, whether the Rain & Fog Mode is enabled or not in this setting. (See the "Auto Rain & Fog Mode/Sunshine Mode switch by AI" section)]



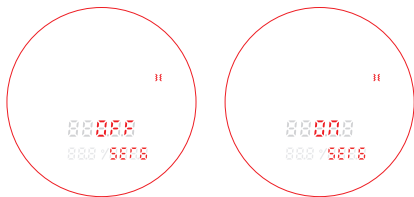
● Wireless Communication(WC):

In the WC setting option, a short press of the Measure button lets you toggle between On, Off, and Pair modes for wireless communication.



● Single Measurement Vibration:

To toggle the vibration feedback for single measurements on or off, short press the Measure button while in the corresponding setting option.



●Body Height Input:

The input of body height enhances the accuracy of calculation in the PinPoint Green™ Mode.

Short press the setting button to navigate to the height setting, Press the setting button again to move the digit, and press the Measure button to set the value. (The default body height is 1.7m/5.6ft.)



Auto Rain & Fog Mode/Sunshine Mode Switch by AI

Sunshine Mode:

Sunshine Mode, powered by AI, automatically recognizes sunny weather conditions, reminding the player of the imminent sunny weather and informing the players to make strategic shot preparations accordingly.



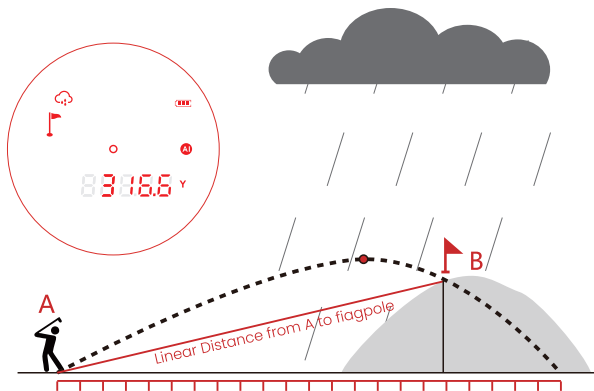
Rain & Fog Mode:

The Rain & Fog Mode, powered by AI, automatically recognizes rainy and foggy weather conditions, activating the mode to deliver precise distance measurements. In wet conditions, raindrops may cause occasional invalid readings. The Rain & Fog Mode follows last target priority principle and helps the laser puncture through moisture in the air and report the distance of the last target, thus providing the most accurate distance readings.

The Rain & Fog Mode also reminds the player of the imminent rainy weather conditions and informs the player to prepare for the challenges.

How to Use

The Rain & Fog mode is self-adaptive. Short press the Setting button to activate the mode, the AI icon appears on the display. Then, press and hold the Power/Measure button to scan and determine the distance to the flag or other objects. After the range is displayed, release the Power/Measure button. Upon releasing, the device will display the distance to last target and eliminate the invalid values caused by rain drops.



Product Specifications

Model	GenePro S1
Measuring Range	2,000 Yards
Accuracy (Fairway long distance measurement)	+/- 1 Yard
Accuracy (PinPoint Green™ mode)	+/- 1 inch
Flag-lock Range	690 Yards
Measuring Speed	0.1s
Magnification	7.5X
Field of View	7.9°(420 ft @ 1000 Yards)
Exit Pupil Distance	17mm
Exit Pupil Diameter	∅3.6mm
Diopter	±5.0 dpt
Display	Dual red & black; LCD & OLED
Light Transmission	95%
Lens Coating	Ultra wideband multi-coated
Angle Measurement Range	-20°~20°
Angle Measuring Accuracy	±1°
Flag-locking & Pulse Vibration	✓
PinPoint Green™ Mode	✓

Coach Mode	✓
Golf Slope Function	✓
SmartSlope™	✓
Rain & Fog Mode	✓
Auto Power Off	16s of inactivity
Battery Type	3-volt CR-2
IP Rating	IP 65
Dimensions	119*74.5*43.5 mm (4.7*2.9*1.7 inch)
Net Weight	368g

*All data are measured and provided by the MILESEEEY Lab, the actual use will be slightly different depending on the specific circumstances.

Disclaimer

● Exclusion of Liability:

We will not be held responsible for damages resulting from improper use of the product. It is crucial that users operate the product as intended and in line with our guidelines to avoid potential issues.

● Conditions Voiding Liability:

1. **Use Without Instruction:** Operating the product without following the provided instructions can lead to damage for which we won't be held liable.
2. **Unapproved Accessories:** Utilizing accessories from other manufacturers that have not been approved by us can result in damages that won't be covered by our responsibility.
3. **Product Modification:** Any modification, alteration, or conversion of the product carried out by the user will void our liability for any resultant damages.

Contact Us

Shenzhen Mileseey Technology Co., Ltd.

Add: No.3601 Block A, Tanglang Town Plaza West, Fuguang Community, Taoyuan Street, Nanshan District, Shenzhen, China

Website: www.mileseey.net

Store: www.mileseeygolf.com

E-mail: service@mileseey.com

Made in China

Copyrights

The product specifications are subject to change without notice, and all final interpretation rights are reserved by Mileseey Technology Co., Ltd, and all trademarks product images, technical parameters are properties of Mileseey Technology Co., Ltd, and all rights reserved.

Mileseey Technology (US) Inc.

Office Add: 17800 CASTLETON ST STE 665 CITY OF INDUSTRY, CA 91748

Manufacturer: Shenzhen Mileseey Technology Co., Ltd.

Add: No.3601 Block A, Tanglang Town Plaza West, Fuguang Community,
Taoyuan Street, Nanshan District, Shenzhen, China

Store: www.mileseeygolf.com

E-mail: service@mileseey.com

Made in China



FR
Cet appareil
et ses piles
se recyclent

A DÉPOSER
EN MAGASIN

A DÉPOSER
EN DÉCHÈTERIE

OU

Pour le collecter sur www.quefaronsdemarchés.fr
Privilégiez la réparation ou le don de votre appareil !



FR
Vous êtes responsable de remettre
tous les appareils électriques et
électroniques usagés à nos points de
collecte correspondants.

Pour en savoir plus:
www.quefaronsdemarchés.fr