

Installation Instructions

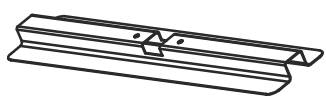
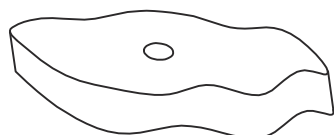
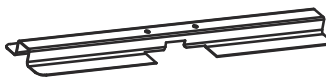
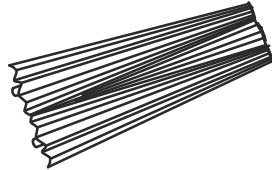
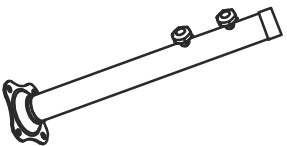






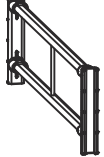

ASSEMBLY INSTRUCTIONS:



- * Before assembling, make sure that you lay out and identify all parts listed in the parts list.
- * All bolts should be hand tightened before use. Never use power tools or excessive force during assembly and tightening of bolts.
- * Please place the umbrella on a flat protected surface during assembly.

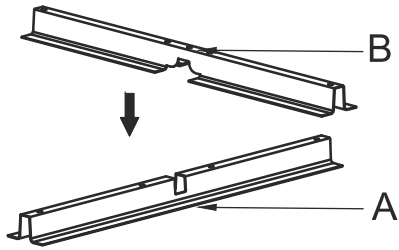
CARE INSTRUCTIONS:

- * Powder coated steel is durable and will last for many years of seasonal use. It is recommended to touch up or repair any scratches to the paint surface to prevent rust.
- * If you see rust, carefully sand the area using a fine sand paper and apply a rust resistant paint that closely matches the frame color.
- * When using an umbrella with a table, always make sure the protective ring is in the umbrella hole and the umbrella is secured using a sturdy umbrella base.
- * Never use any umbrella in a table during windy conditions.
- * The first time to open the umbrella before you need to first reason under the umbrella cloth umbrella bone.
- * Please can not untie the knot of the umbrella rope.

Service Contact : contactus24service@gmail.com
Contact Phone Number : 888-257-3857

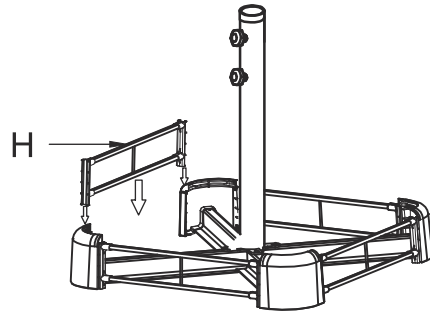
	A	1		K	1
	B	1		L	1
	C	1		M	1
	D	4		N	3
	E	4			
	F	1			
	G	4			
	H	4			
	J	2			

	Ax1
	Bx1

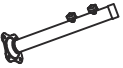





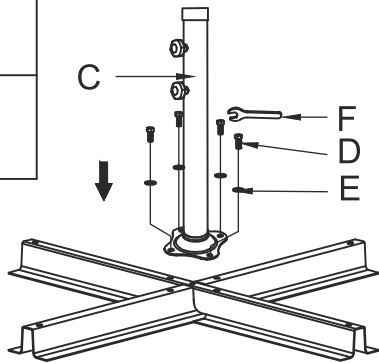
STEP1:

	Hx4
---	-----



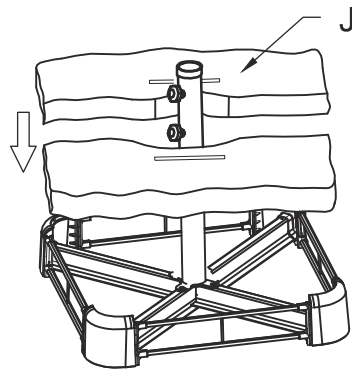
STEP4:

	Cx1
	Dx4
	Ex4
	Fx1



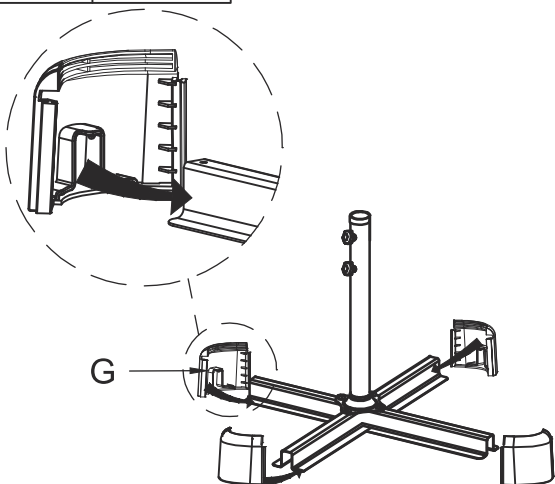
STEP2:

	Jx2
---	-----

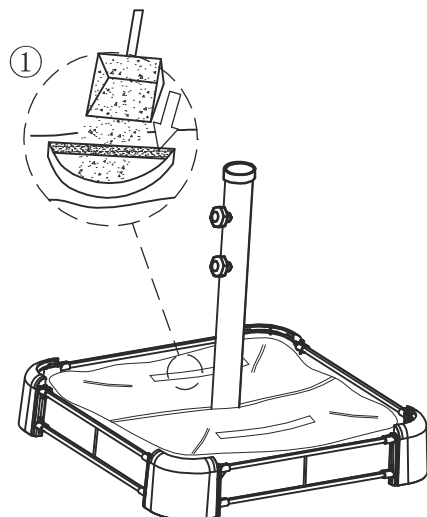


STEP5:

	Gx4
---	-----



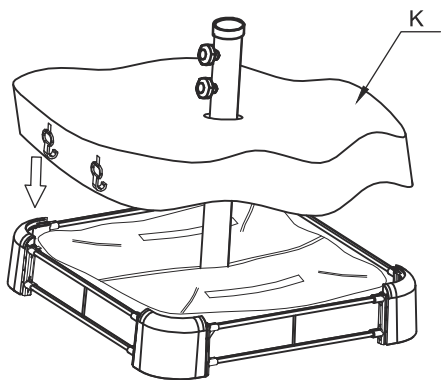
STEP3:



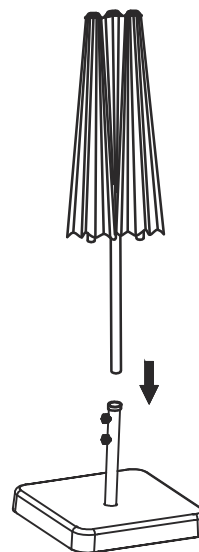
STEP6:



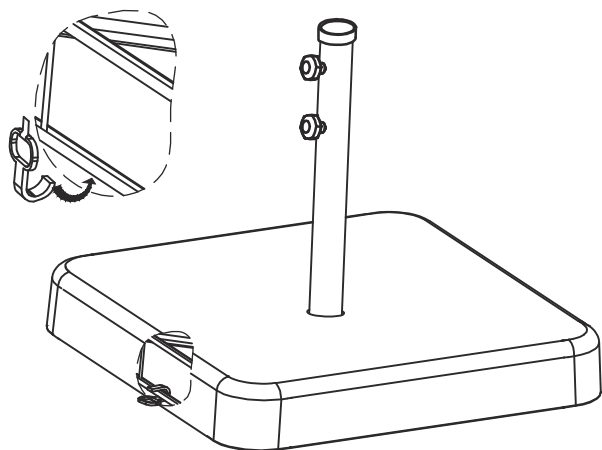
Kx1



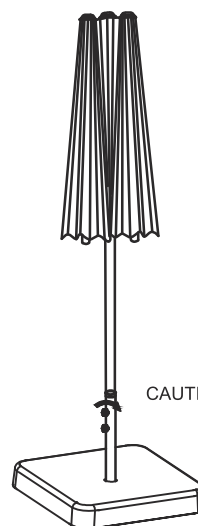
STEP 7:



STEP 10:

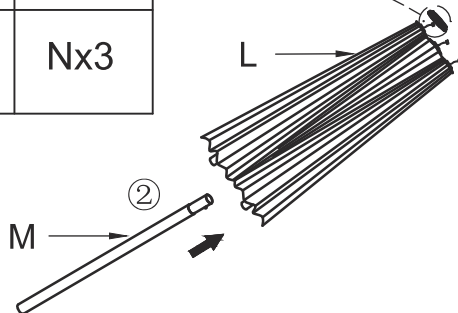
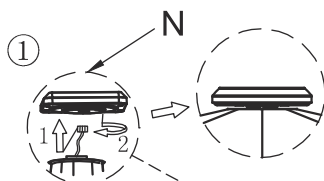
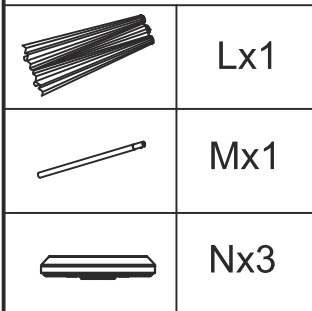


STEP 8:

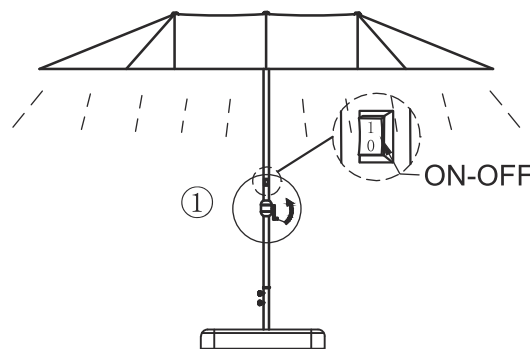


CAUTION: Fully tighten the two bolts.

STEP 11:



STEP 9:



STEP 12: