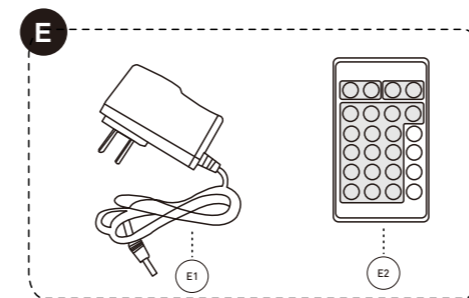
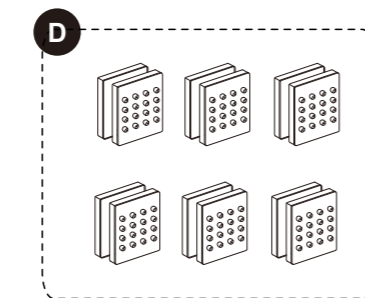
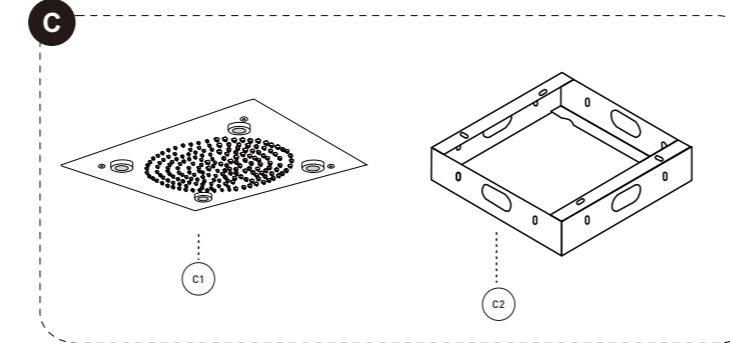
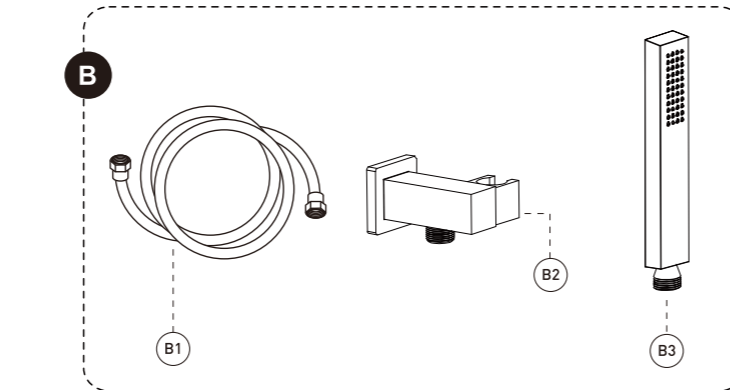
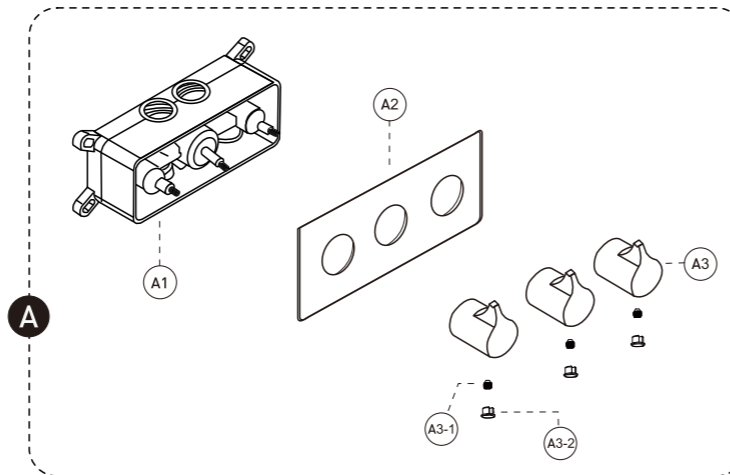
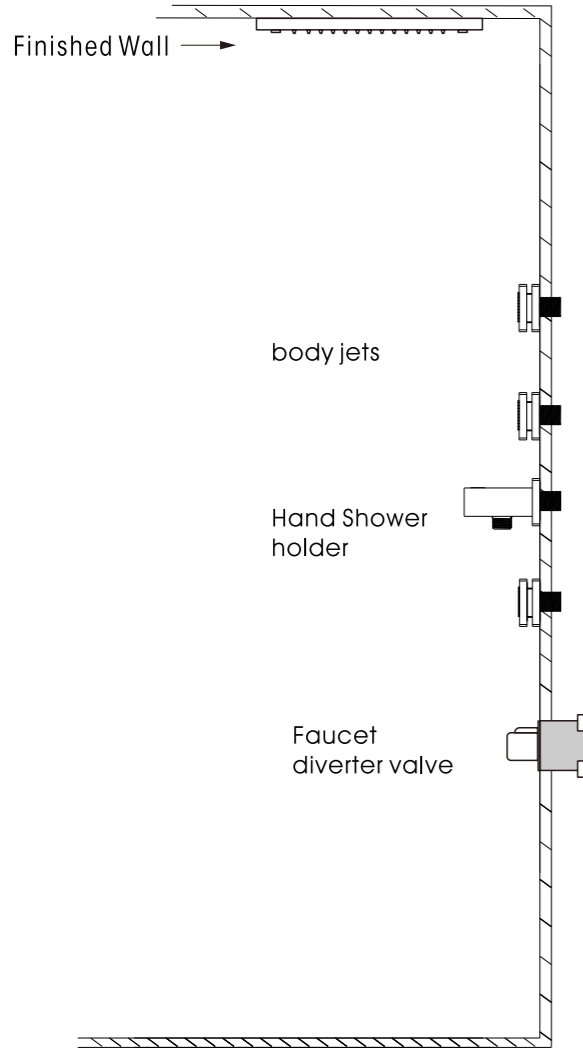


PRODUCT DRAWING

A



No.	Description				
A	Pressure balanced diverter valve				
A-1	Valve				
A-2	Face plate with sealjoint				
A-3	Diverter knob kit				
A3-1	set screws				
A3-2	Trim cap				
B	Handheld Shower Kit with Flexible Hose				
B-1	Flexible hose				
B-2	Wall Bracket				
B-3	Hand shower				
C	Shower head				
C-1	Top Rain Head				
C-2	Shower Bracket				
D	Body jets				
E	Shower head accessories				
E-1	Power supply				
E-2	Remote control				
Z	Accessories Package				
<table border="1"> <thead> <tr> <th>For Repair And Warranty (Spare Parts)</th> <th>For Installation (Spare Parts)</th> </tr> </thead> <tbody> <tr> <td> </td> <td> </td> </tr> </tbody> </table>		For Repair And Warranty (Spare Parts)	For Installation (Spare Parts)		
For Repair And Warranty (Spare Parts)	For Installation (Spare Parts)				

SHOWER SYSTEM FAUCET

Installation instruction



MB/BN/BG/CH/ORB

CARE INSTRUCTIONS

Rinse the product with clear water. Dry the product with a soft cloth.

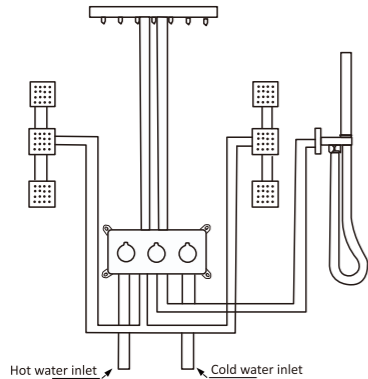
DO NOT:

Use abrasive cleansers, cloths, or paper towels. Use any cleaning agents containing acid, polish, wax, alcohol, ammonia, bleach, solvent or any other corrosive or harsh chemical cleansers.

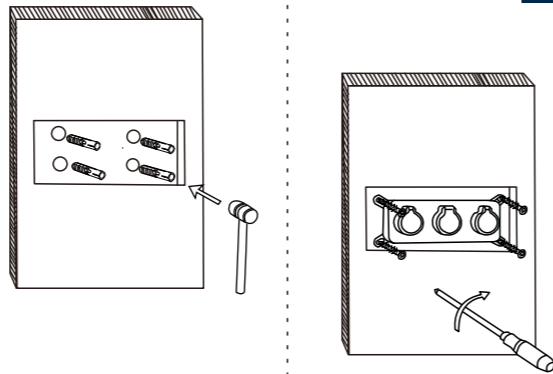
INSTALLATION STEPS

INSTALL THE SHOWER VALVE BODY

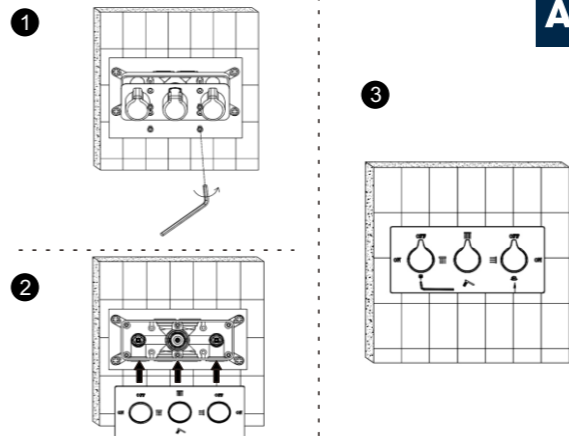
A



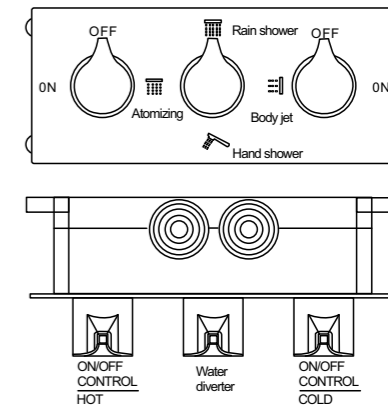
A1



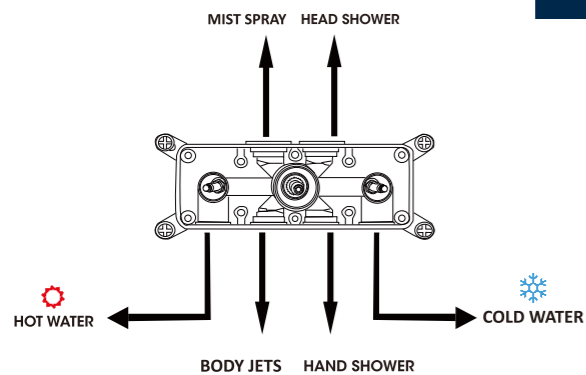
A2



A3

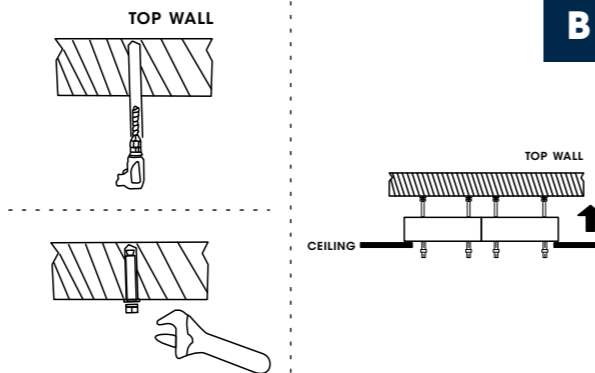


A4

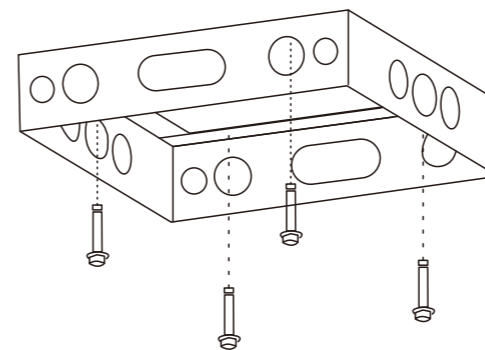


INSTALLATION OF THE HEAD SHOWER

B

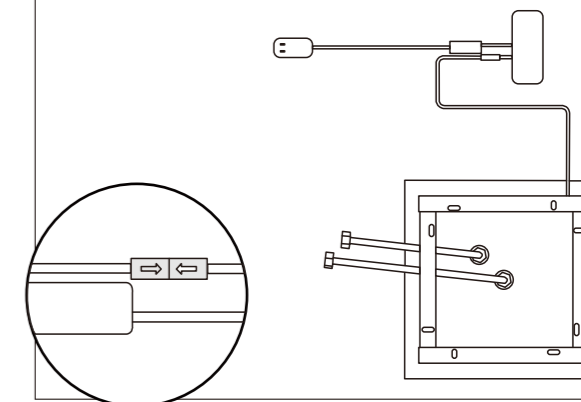


B1

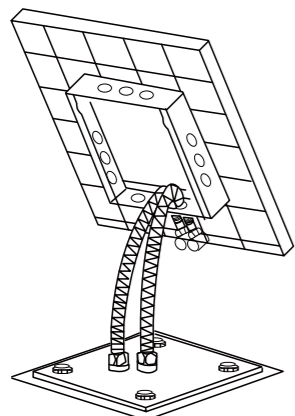


B2

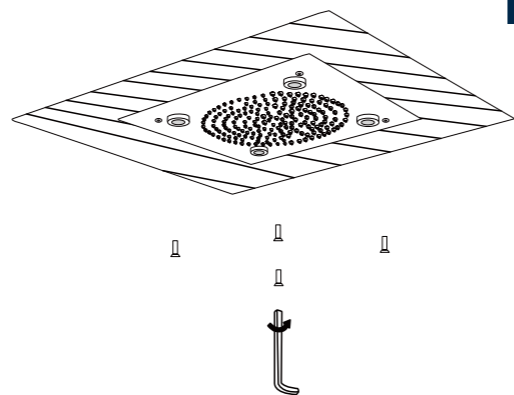
INPUT: 100-240V~50/60Hz



B3

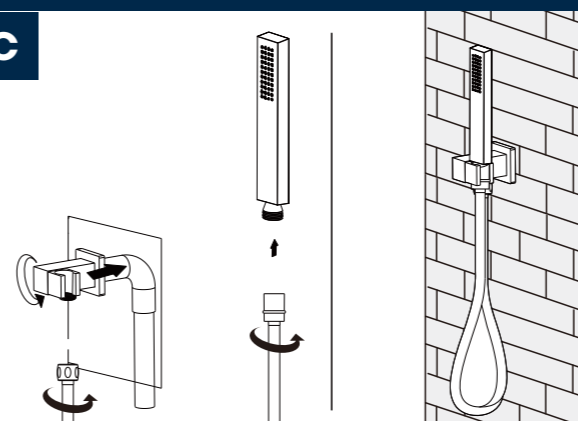


B4



INSTALLATION OF THE HANDSHOWER

C



INSTALL THE BODY JETS

D

